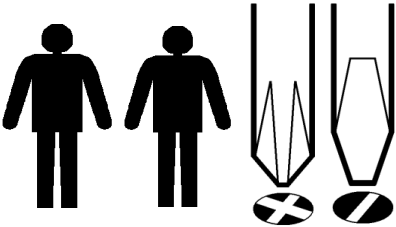
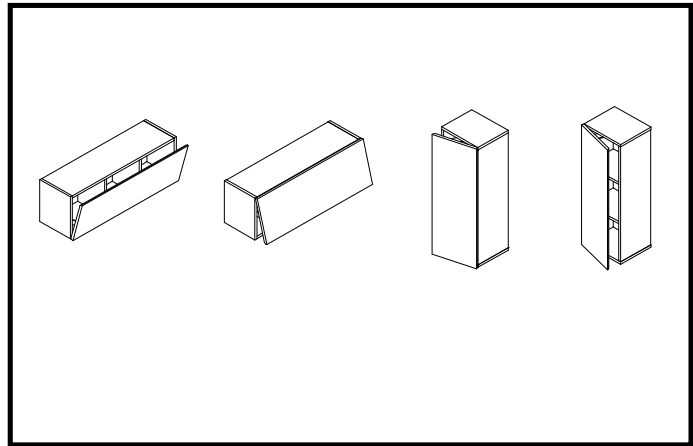


ASSEMBLY INSTRUCTIONS.**IMPORTANT - RETAIN FOR FUTURE REFERENCE - READ CAREFULLY.****Tools Needed****Helpline**

If you have any problems with this product or require any replacement fittings please contact Customer Services Tel: 0844 844 8999



Regrettably self assembly items cannot be returned once assembly is part or fully completed unless the item is found to be faulty. Should you need to return the unassembled product, please repack in the original packaging.

IMPORTANT

- We suggest you spend a short time reading through this leaflet and then follow the simple step-by-step instructions.
- Carefully check that you have all parts before beginning assembly.
- Keep fittings out of children's reach and keep children well away from the construction area.
- We recommend that the packaging is used to protect the surfaces during assembly.
- A minimum of two persons is required to assemble this product.
- **The maximum weight this unit can hold safely is 20 kg.**

PRODUCT INFORMATION

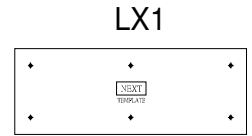
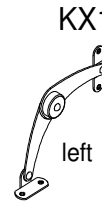
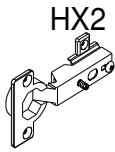
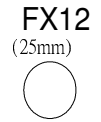
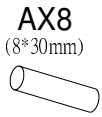
- Made from particle board & MDF with a pvc finish.
- Made in China.

CARE INSTRUCTIONS

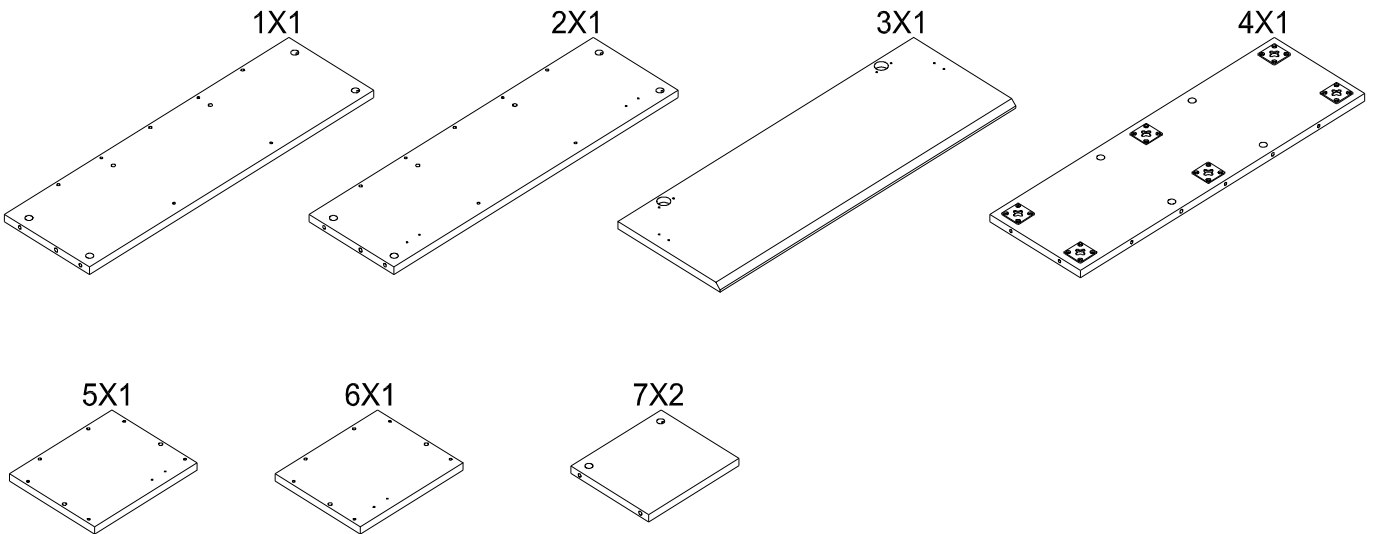
•Gloss finishes are prone to light surface scratch and it is therefore very important that you care for this item correctly.

- For general cleaning, periodically dust with a soft clean lint-free cloth or a soft micro fibre cloth. Please note soft cloths (including yellow dusters) contain abrasive fibres which can lightly scratch the surface, if in doubt please try your cloth in an inconspicuous area of the furniture first to assess its suitability. A sample of a suitable cloth for cleaning is included within the hardware pack
- Do not rub or scrub the surface when cleaning.
- Do not use furniture polish.
- Any spills should be removed immediately with a soft clean damp cloth and dried immediately.
- Ensure the product is protected with mats and coasters when items are placed on the surfaces, to prevent scratching or damage.
- Do not put hot dishes directly on the surfaces of the item.
- Avoid keeping furniture in direct sunlight or close to any heat sources as this can cause cracking, discolouration or warping.
- Never drag pieces of furniture across the floor as this will cause damage to the joints.
- All assembly fixings should always be tightened properly and periodically check all fixings and tighten if necessary.

FITTINGS



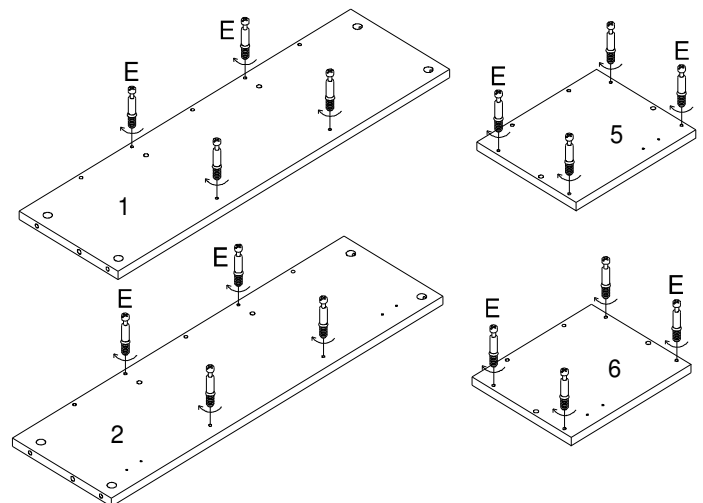
PARTS



STEP ONE

Please note: Remove the protective film after assembly of this product unless it is stated in the steps to do so - this will prevent accidental scratches during assembly

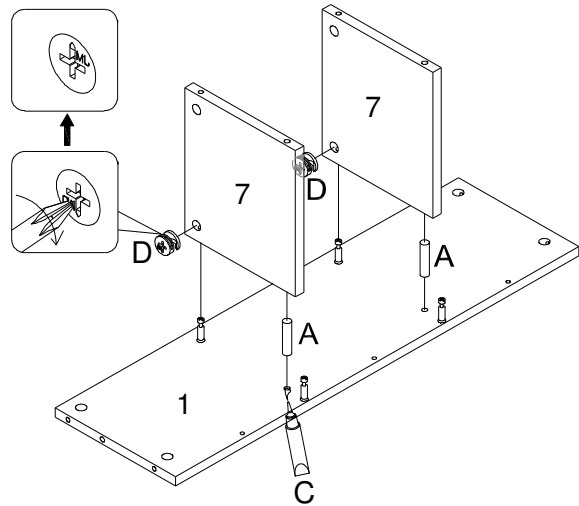
1. Insert 16 x cambolts (E) into panels 1, 2, 5 & 6 and tighten with a screwdriver.



STEP TWO

1. Glue and insert 2 x wooden dowels (A) into panel 1 and attach panels 7(x2) to panel 1.
2. Insert 2 x camlocks (D) into panels 7(x2) and tighten with a screwdriver.

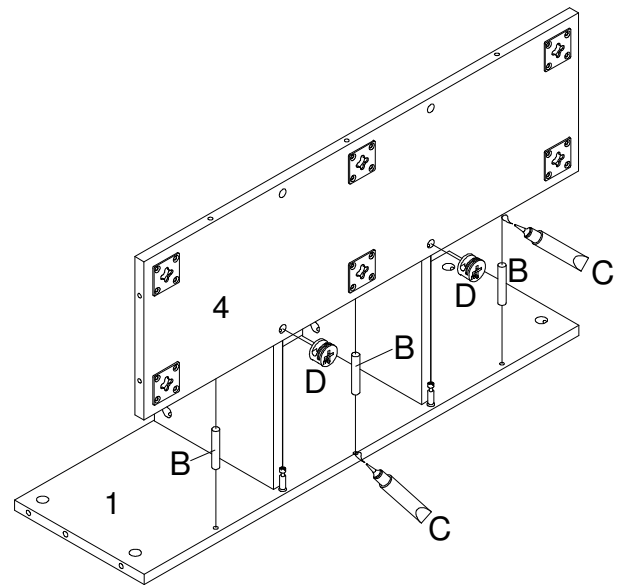
Ensure the arrow indicator is pointing towards the panel edge and ensure the assembly bolt locates properly into the camlock before turning



STEP THREE

1. Glue and insert 3 x wooden dowels (B) into panel 4 and attach panel 4 to panel 1.
2. Insert 2 x camlocks (D) into panel 4 and tighten with a screwdriver.

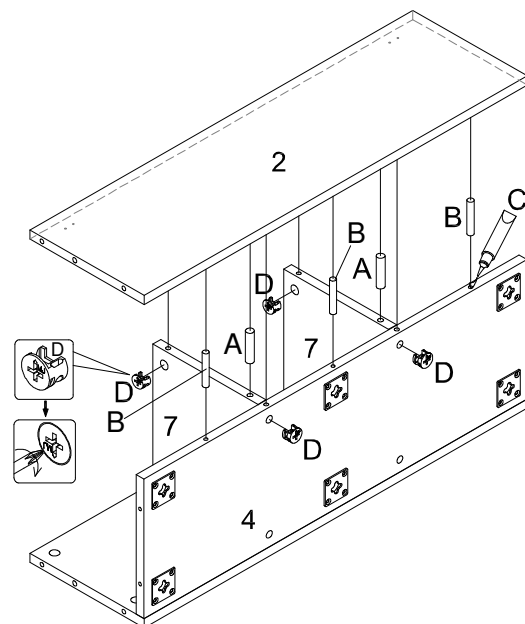
Ensure the arrow indicator is pointing towards the panel edge and ensure the assembly bolt locates properly into the camlock before turning



STEP FOUR

1. Glue and insert 2 x wooden dowels (A) into panels 7(x2) .
2. Glue and insert 3 x wooden dowels (B) into panel 4 and attach panel 2 to panels 4 & 7(x2).
3. Insert 4 x camlocks (D) into panels 7(x2) & 4 and tighten with a screwdriver.

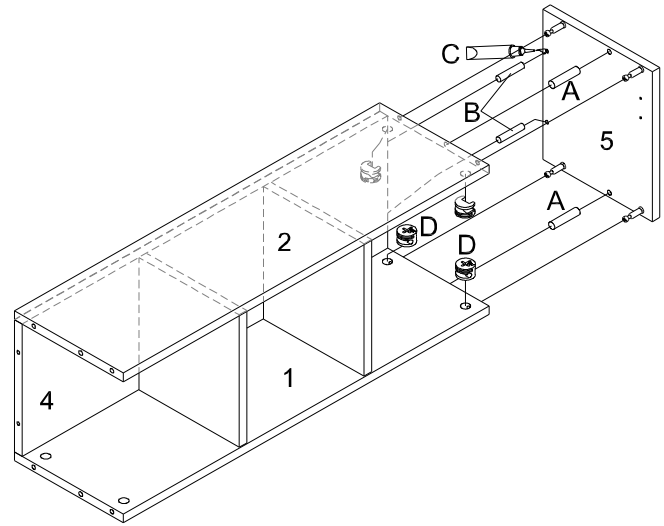
Ensure the arrow indicator is pointing towards the panel edge and ensure the assembly bolt locates properly into the camlock before turning



STEP FIVE

1. Glue and insert 2 x wooden dowels (A) into panel 5
2. Glue and insert 2 x wooden dowels (B) into panel 5 and attach panel 5 to panels 1, 2 & 4.
3. Insert 4 x camlocks (D) into panels 1 & 2 and tighten with a screwdriver.

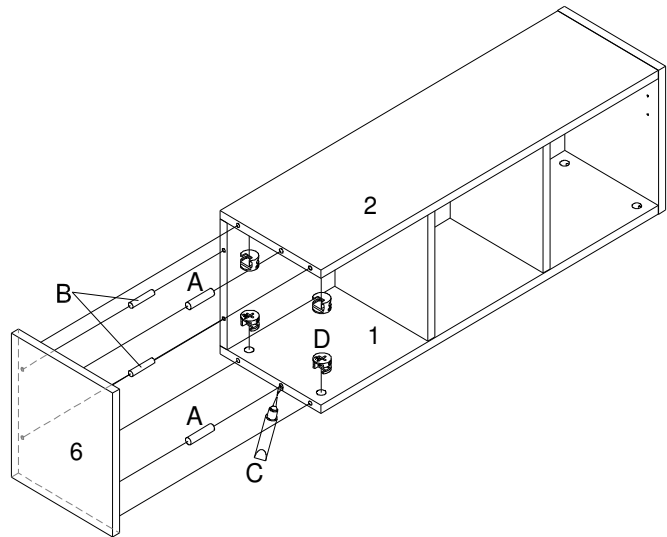
Ensure the arrow indicator is pointing towards the panel edge and ensure the assembly bolt locates properly into the camlock before turning



STEP SIX

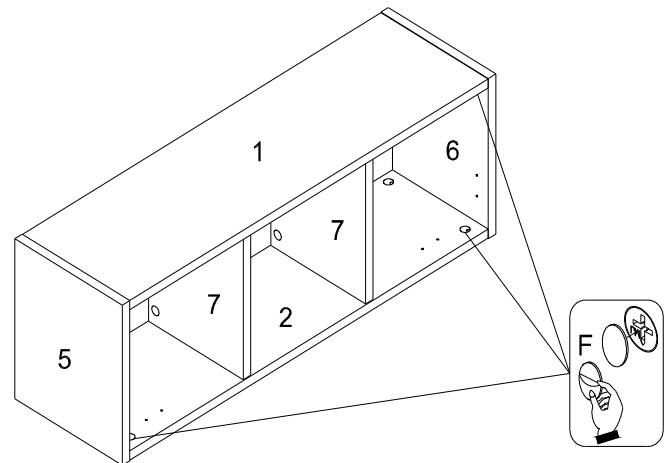
1. Glue and insert 2 x wooden dowels (A) into panel 6
2. Glue and insert 2 x wooden dowels (B) into panel 6 and attach panel 6 to panels 1, 2 & 4.
3. Insert 4 x camlocks (D) into panels 1 & 2 and tighten with a screwdriver.

Ensure the arrow indicator is pointing towards the panel edge and ensure the assembly bolt locates properly into the camlock before turning



STEP SEVEN

1. Use 12 x stickers (F) to cover the camholes .

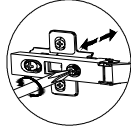


STEP EIGHT

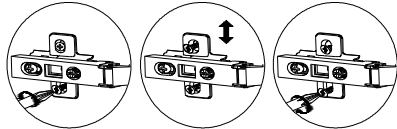
1. Attach 2 x hinges (H) to panel 3 with 4 x screws (G) by using a screwdriver until tight.
2. Attach panel 3 to panel 2 with 4 x screws (G) through 2 x hinges (H) by a screwdriver.

To align doors use the adjustment diagram below.

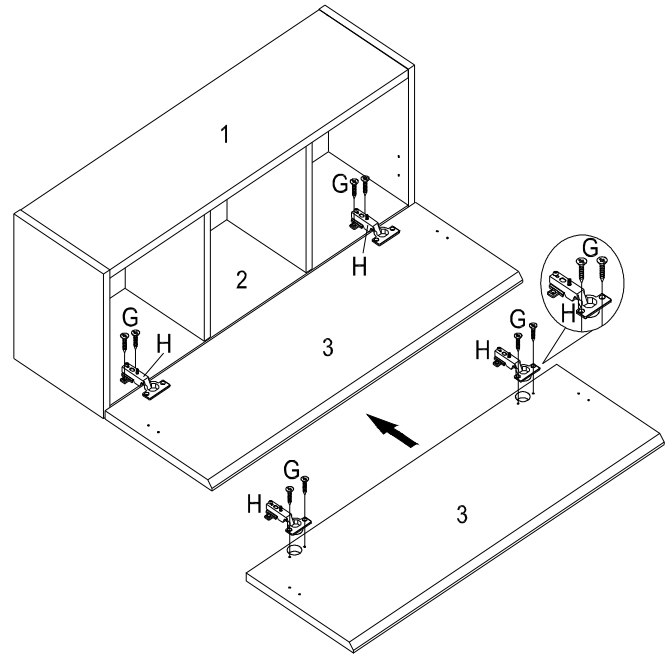
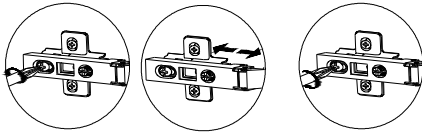
LATERAL



VERTICAL

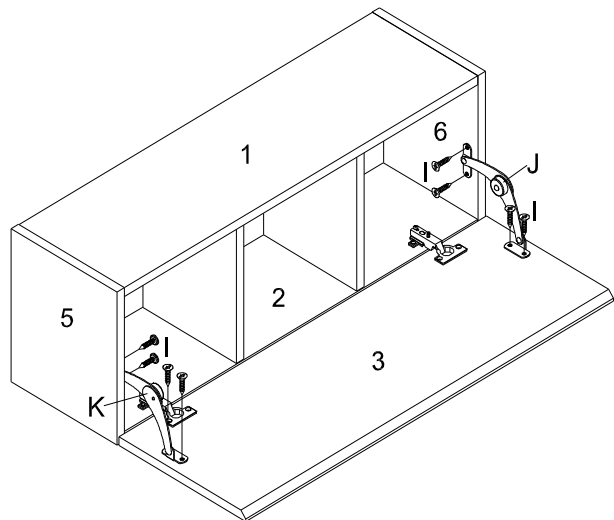


FRONT- TO-BACK



STEP NINE

1. Attach hinge (J) to panels 3 & 6 with 4 x screws (I) by using a screwdriver until tight.
2. Attach hinge (K) to panels 3 & 5 with 4 x screws (I) by using a screwdriver until tight.



STEP TEN

1. Use the template (L) provided to mark on the wall the position of the fixings.

NB: Place the template over the back of the wall unit to ensure that the holes match the position of the hooks before drilling into your wall

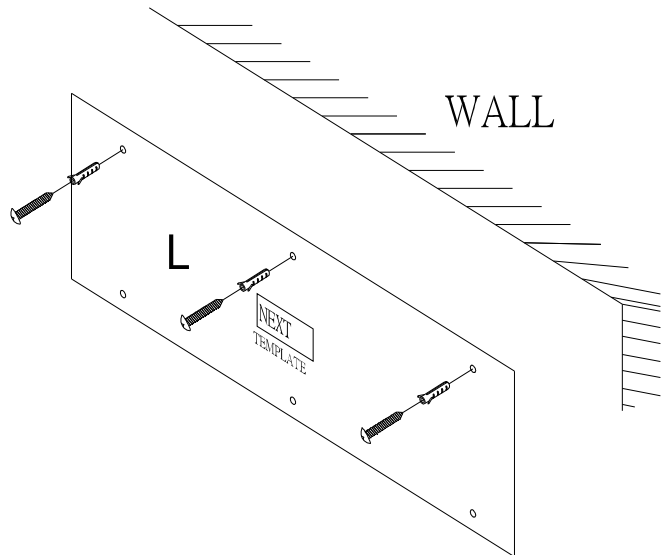
2. Use a spirit level to check that the fixings are level .

3. Drill three holes and insert an appropriate wall plug into each. Insert the screws and tighten, leaving the screw head exposed by about 1/4 inch(6mm)

Warning:

Always ensure intended wall area to be drilled is free from hidden electrical wires, water and gas pipes.

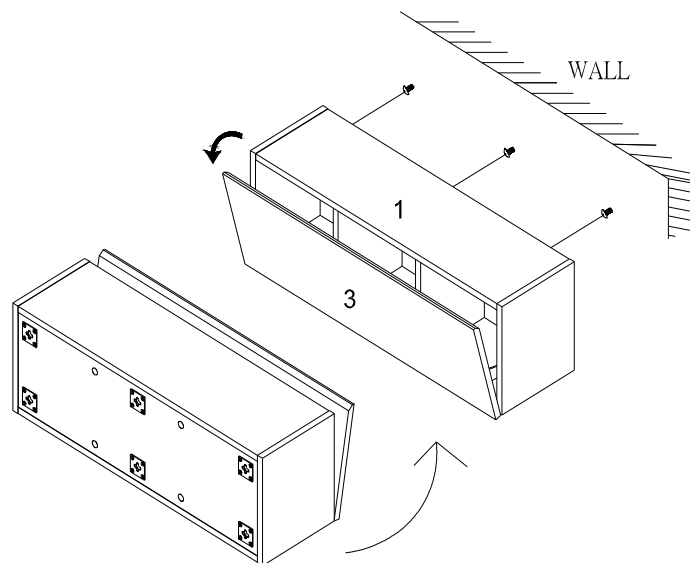
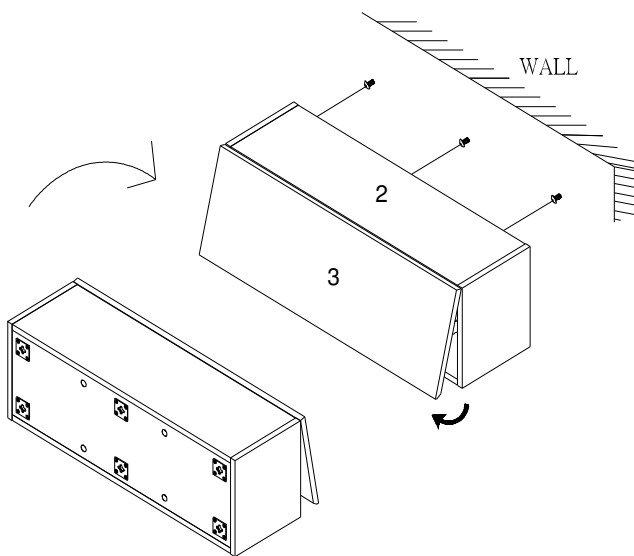
NB: Wall fixings are not included - please source suitable fixings for your wall type. If in doubt please consult a qualified trades person.



STEP ELEVEN

PLEASE SELECT WHICH ORIENTATION YOU WANT THE UNIT TO BE HANG ON THE WALL.

1. Lift the wall cupboard into position ensuring that the fixing clips attached to the wall are firmly hooked over the screw heads. Check the wall unit periodically to see that no fitting has loosened and needs attention.



STEP THIRTEEN

1. Use the template (L) provided to mark on the wall the position of the fixings.

NB: Place the template over the back of the wall unit to ensure that the holes match the position of the hooks before drilling into your wall

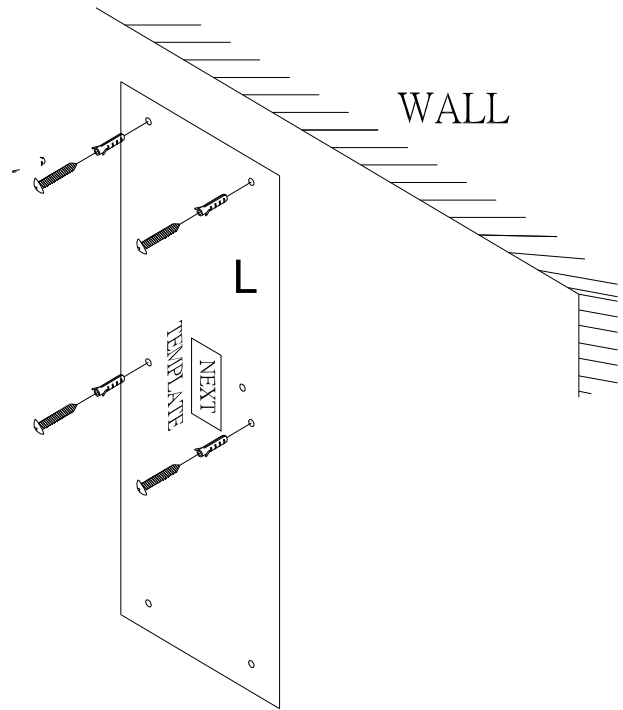
2. Use a spirit level to check that the fixings are level .

3. Drill four holes and insert an appropriate wall plug into each. Insert the screws and tighten, leaving the screw head exposed by about 1/4 inch(6mm)

Warning:

Always ensure intended wall area to be drilled is free from hidden electrical wires, water and gas pipes.

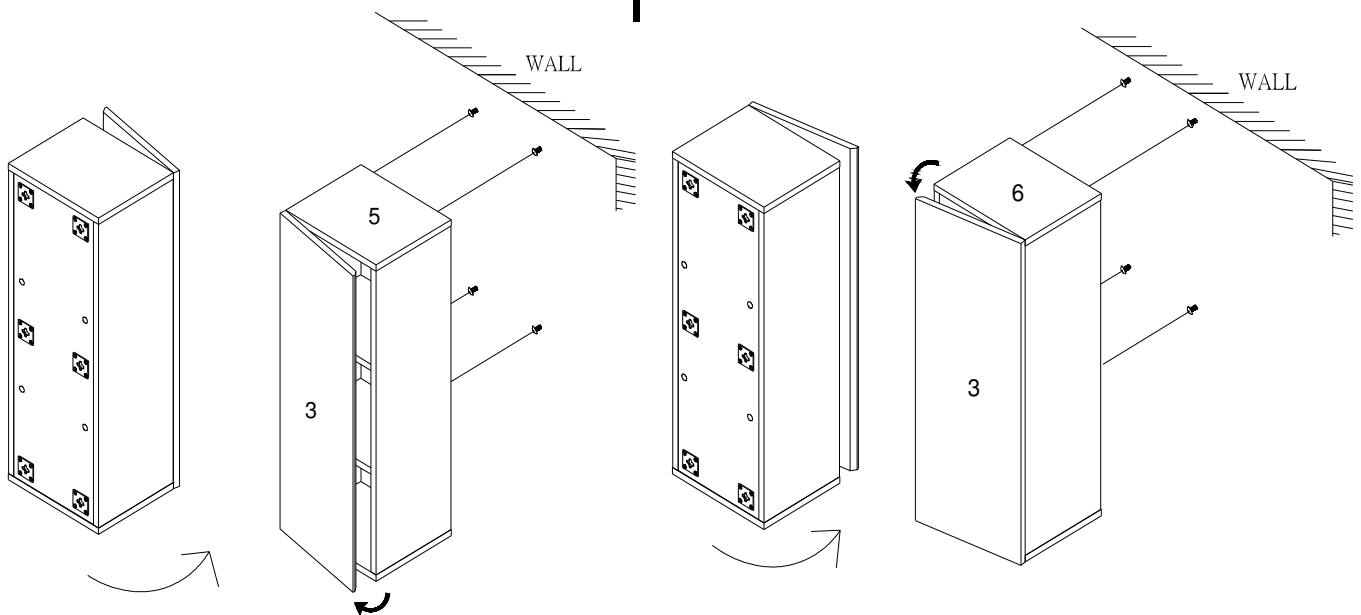
NB: Wall fixings are not included - please source suitable fixings for your wall type. If in doubt please consult a qualified trades person.



STEP FOURTEEN

PLEASE SELECT WHICH ORIENTATION YOU WANT THE UNIT TO BE HANG ON THE WALL.

1. Lift the wall cupboard into position ensuring that the fixing clips attached to the wall are firmly hooked over the screw heads. Check the wall unit periodically to see that no fitting has loosened and needs attention.



Next Retail Ltd, Desford Road, Leicester, LE19 4AT