

# BEFORE YOU GET STARTED...

*We're confident you'll love your gorgeous new Next furniture. However, it's worth making absolutely certain before you put it all together.*

*So, let's quickly run through these three steps:*

## 1. COLOUR

Make sure you're happy with the colour  
No need to unpack everything, just check the first component.

## 2. PROTECTIVE PACKAGING

If you're happy, then it's time to get opening! Start by laying everything out on the protective packaging – this will prevent anything getting scratched.

## 3. PARTS PAGE

Finally, double check you have all the pieces by referencing the parts page of the instructions .

## TIPS FOR RETURNS

Not completely happy with the product? No problem. We just need everything back in the original packaging, so follow the steps below and this will ensure a super-smooth returns process and no delay to your refund.

DO



Check everything is there (the 'parts page' is a handy checklist).

Pop all the loose fittings and fixtures into the packaging provided or tie them up in a plastic bag.

Wrap all the big components back up in the original protective packaging.

Close up the box and seal it securely (don't be afraid to use plenty of tape).

DON'T



Leave anything assembled - all components should be dismantled and separately packed.

Put loose fixtures and fittings straight into the box.

Throw it back in the box carelessly – as it may get damaged.

next  
HOME

Then just give us a call on 0333 777 8999 and we'll sort out a pick up time for you.



**next**

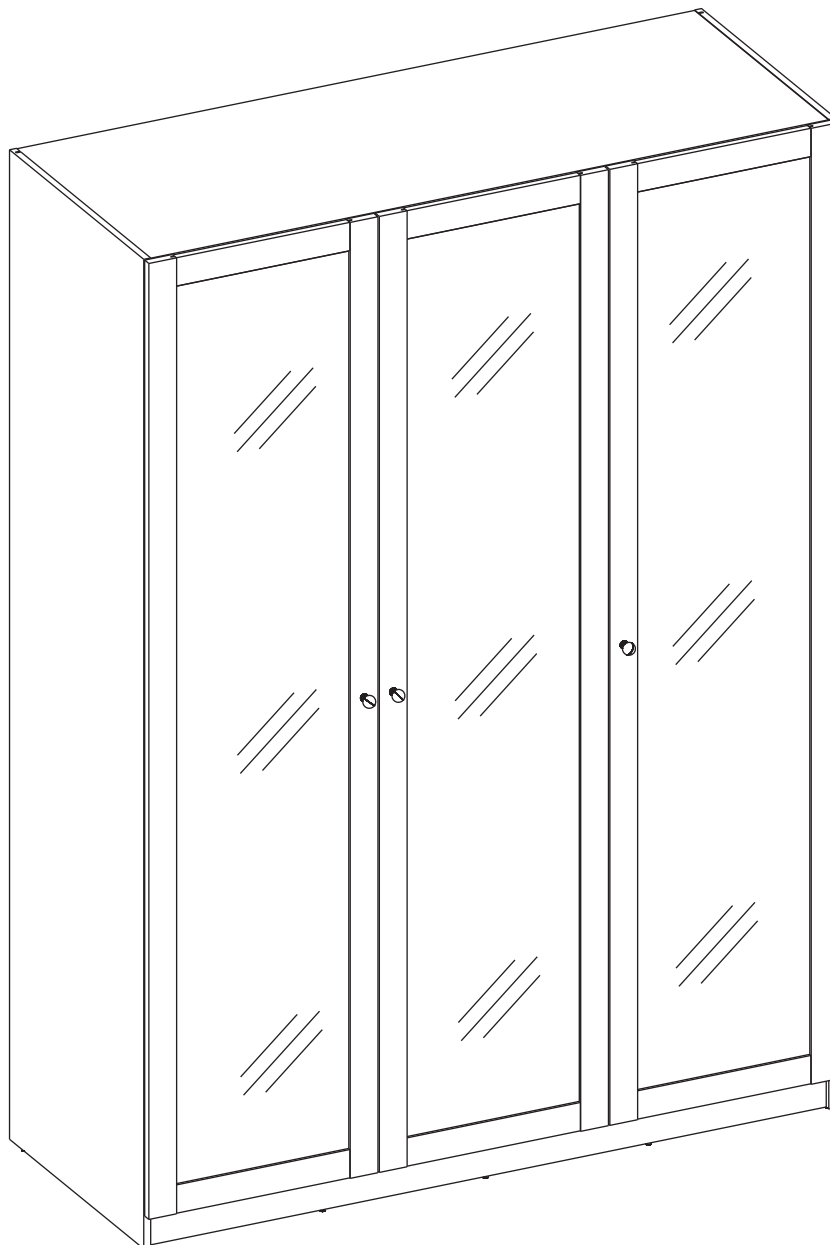
# FLEUR 3 DOOR ROBE

804027

Assembly instructions

**Actual product size**

H210 x W150 x D60



**Need Help ?**

With: Assembly instruction

Missing or damaged parts

**IMPORTANT - RETAIN FOR FUTURE REFERENCE**

**CALL: 0333 777 8999**

**BEFORE YOU START****Number of people required to assemble**

Two persons are required to assemble this item.

**Warnings**

We suggest you retain these instructions for future reference.

Gloss finishes are prone to light surface scratches and it is therefore very important that you care for this item correctly.

Keep fittings out of children's reach and keep children well away from construction area.

This product should only be used on firm level ground.

Please periodically check all fittings and re-tighten as necessary.

Please do not sit or stand on your furniture.

Avoid exposing the furniture to excessive heat or direct sunlight as this can cause deterioration of the colour.

Unwrap all packaging materials and place the components on top of the carton box or on a clean floor to protect it from damage.

**Do's**

We suggest you spend a short time reading through this leaflet before you start.

When you are ready to start, make sure that you have the right tools and plenty of space.

Unwrap all packaging materials and place the components on a clean surface to protect it from damage. We recommend that the packaging is used to protect the surfaces during assembly.

Carefully check that you have all the parts before beginning assembly.

Due to the size of this product we recommend that it is assembled in the room intended for use.

Ensure the product is fully assembled as illustrated and all fixings fully tightened before use.

Wipe occasionally with a soft cloth slightly dampened with water. Then buff with a dry clean soft cloth.

For general cleaning, periodically dust with a soft clean lint-free cloth or a soft micro fibre cloth (ie, e-cloth brand or similar). Please note some cloths (including yellow dusters) contain abrasive fibres which can lightly scratch the surface, if in doubt please try your cloth in an inconspicuous area of the furniture first to assess its suitability. A sample of a suitable cloth for cleaning is included within the hardware pack.

**Don'ts**

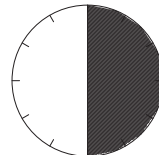
Do not drag or pull your furniture.

Do not rub or scrub the surface when cleaning.

Do not use silicone based furniture polish. Silicone in furniture polishes can break down the finish.

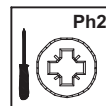
Never allow any kind of liquid to remain on your furniture. Absorption can cause wood to warp or finishes to de-laminate.

Do not place hot items (e.g. hot drinks) directly on to the wood surface. Please make sure you use a placemat or coaster.

**Time to assemble**

30 MIN

2 PERSON  
BUILD

**Tools required**

not supplied

**Missing parts**

If you are missing any fixtures and fittings for your product please contact our customer service team on 0333 777 8999 and they will be happy to arrange for a replacement to be sent to you free of charge.

**Home service technicians**

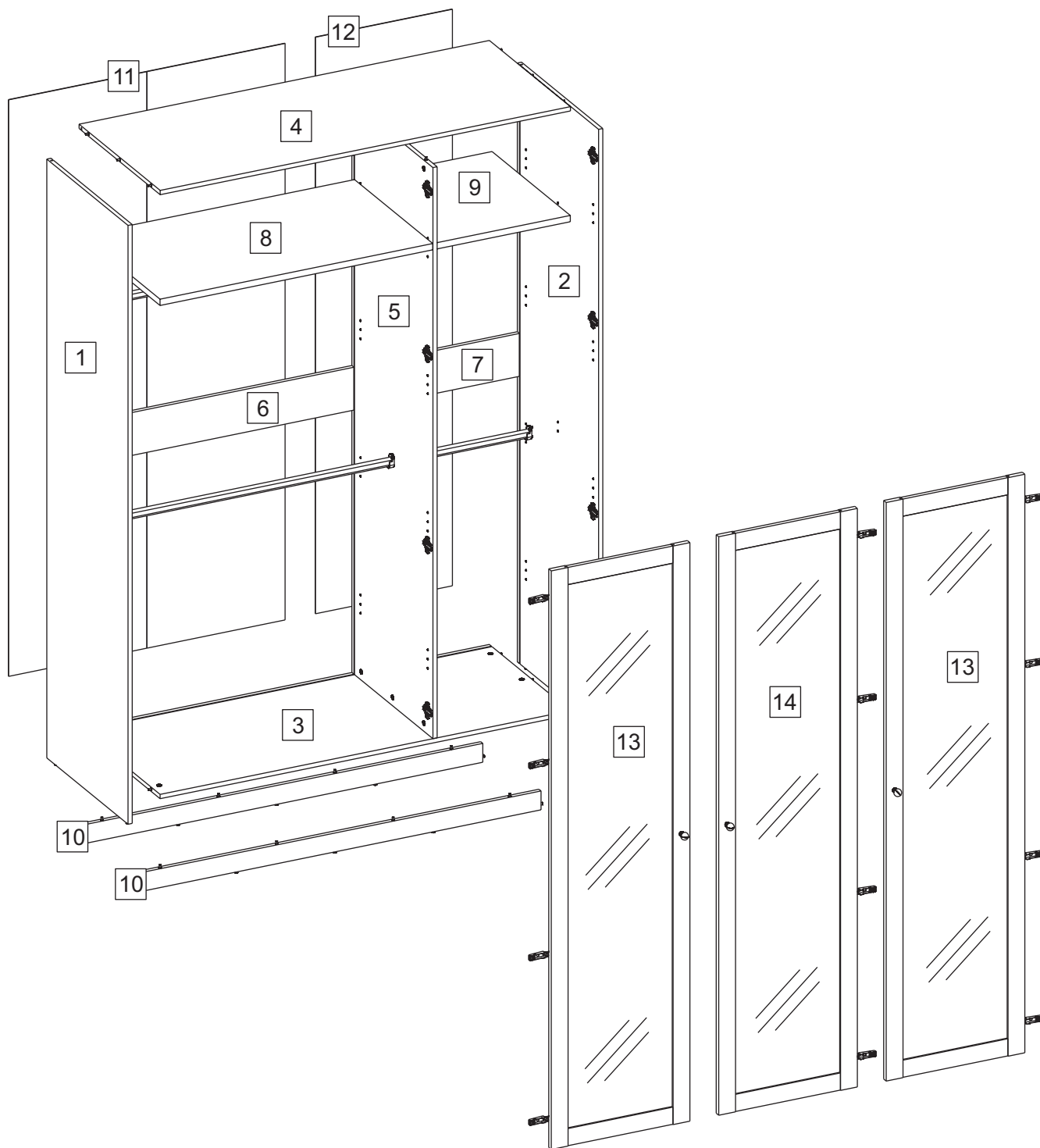
If you have a fault with your product, please contact our customer service team on 0333 777 8999. If you have had the product for 28 days or less you may be offered a replacement, refund or for a fully trained home service technician to visit your home to assess the fault and repair the product where possible. If you have had the product for more than 28 days we will send an independent home service technician to review and repair the product where possible and recommend further action.

**You can write to us at**

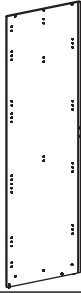
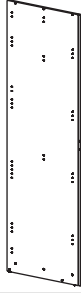
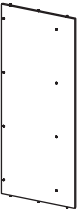
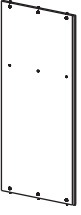
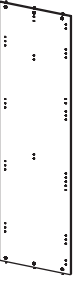

Home Customer Services  
Next Retail Ltd.  
Desford Road,  
Leicester,  
LE19 4AT





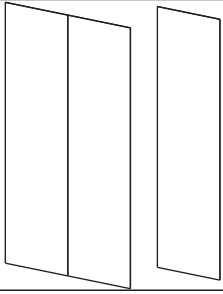
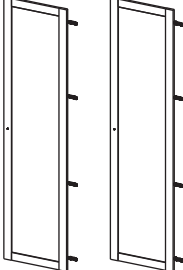
To view our full furniture range please visit [www.next.co.uk](http://www.next.co.uk)

GETTING TO KNOW YOUR PRODUCT



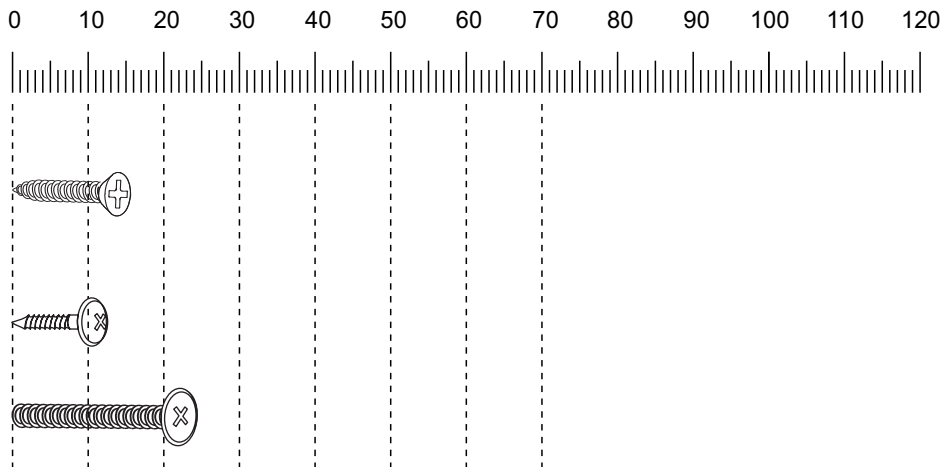
Components supplied. Please use this guide if you require replacement parts.

Ref	Dimensions	Visual	Qty	Ctn
1	210 x 58cm		1	2/3
2	210 x 58cm		1	2/3
3	147 x 58cm		1	1/3
4	147 x 58cm		1	1/3
5	200 x 58cm		1	2/3
6	98 x 15cm		1	1/3

Ref	Dimensions	Visual	Qty	Ctn
7	47 x 15cm		1	1/3
8	98 x 60cm		1	1/3
9	48 x 60cm		1	1/3
10	147 x 7cm		2	1/3
11	202 x 99cm		1	3/3
12	202 x 49cm		1	3/3
13	202 x 44cm		2	3/3
14	202 x 44cm		1	3/3

Fixtures and fittings supplied (actual size)

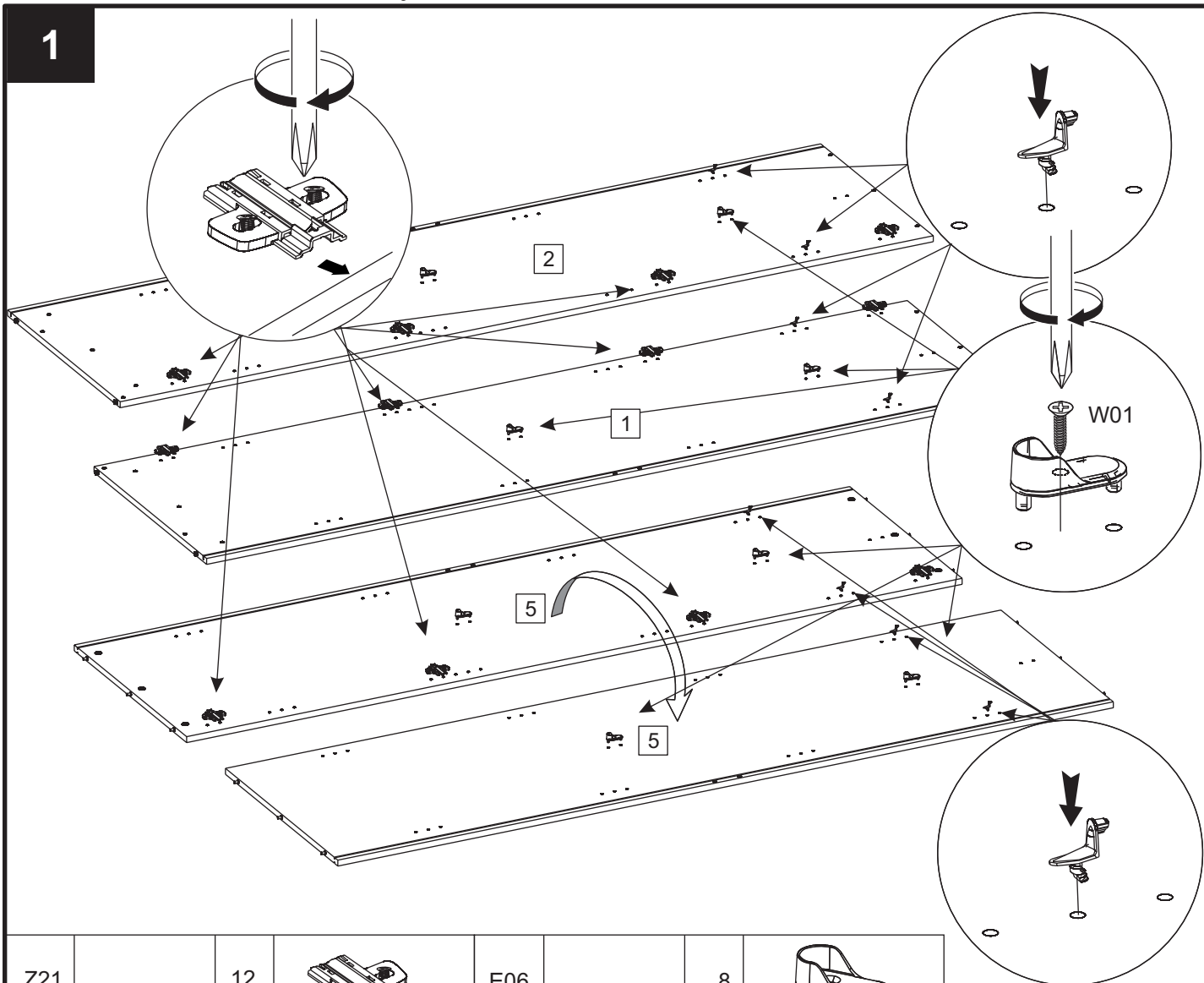
Ref	Dimensions	Qty
W01	3,5x16mm	8
W07	4x13mm	4
Y01	4x25mm	3



Fixtures and fittings supplied ( not to scale)

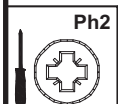
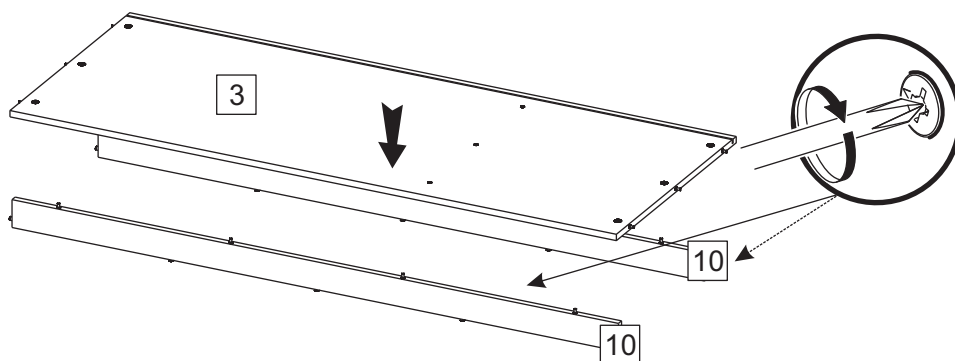
Ref	Dimensions	Qty	Visual
E06		8	
J01	L-968mm	2	
J02	L-470mm	2	
E07		8	
R01		14	
P01		2	
Z21		12	
U16		3	

1



Z21		12		E06	8		
W01	3,5x16mm	8		E07	8		Ph2

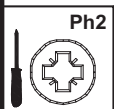
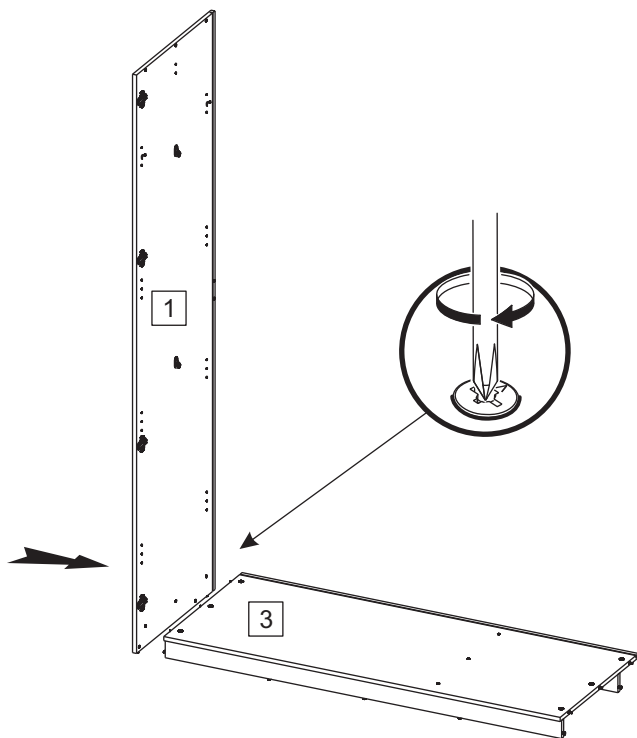
2



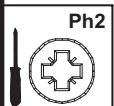
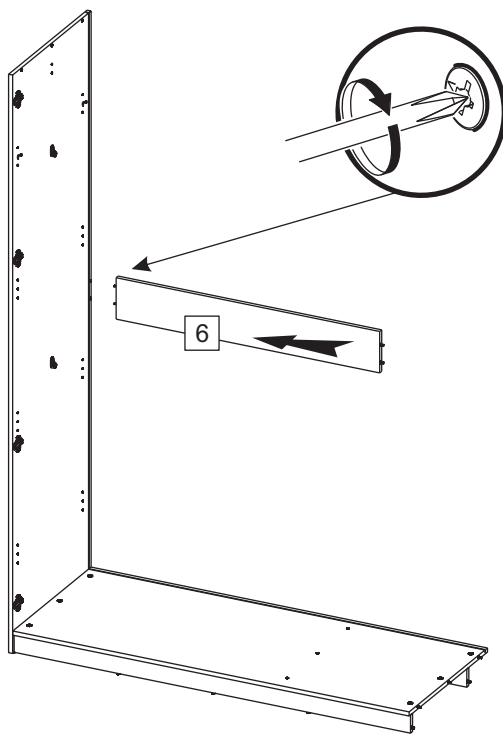


3

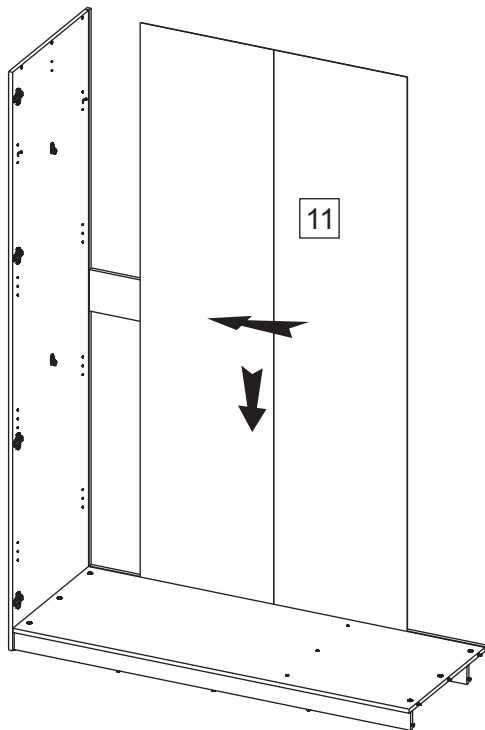
2 PERSON  
BUILD



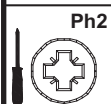
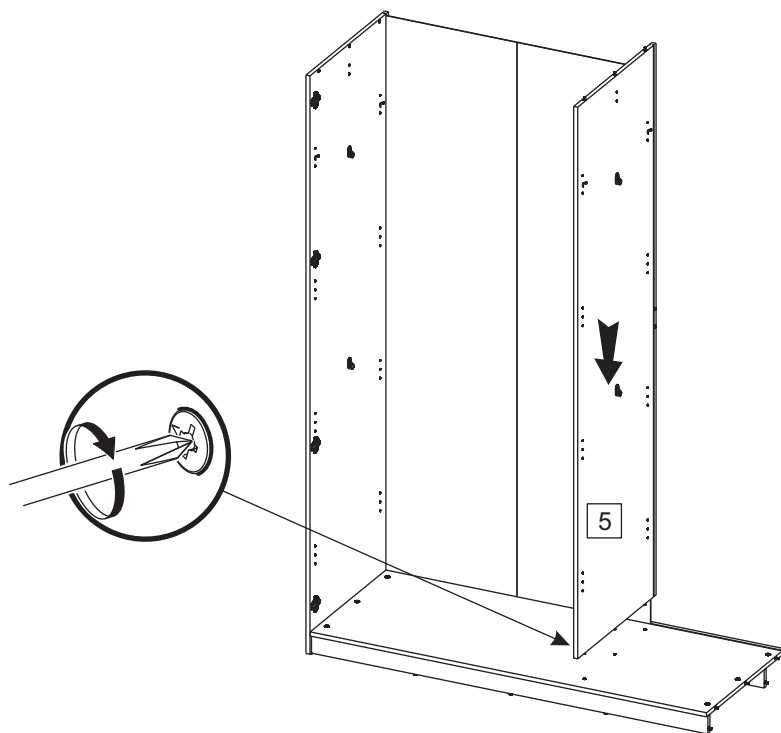
4



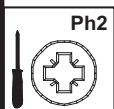
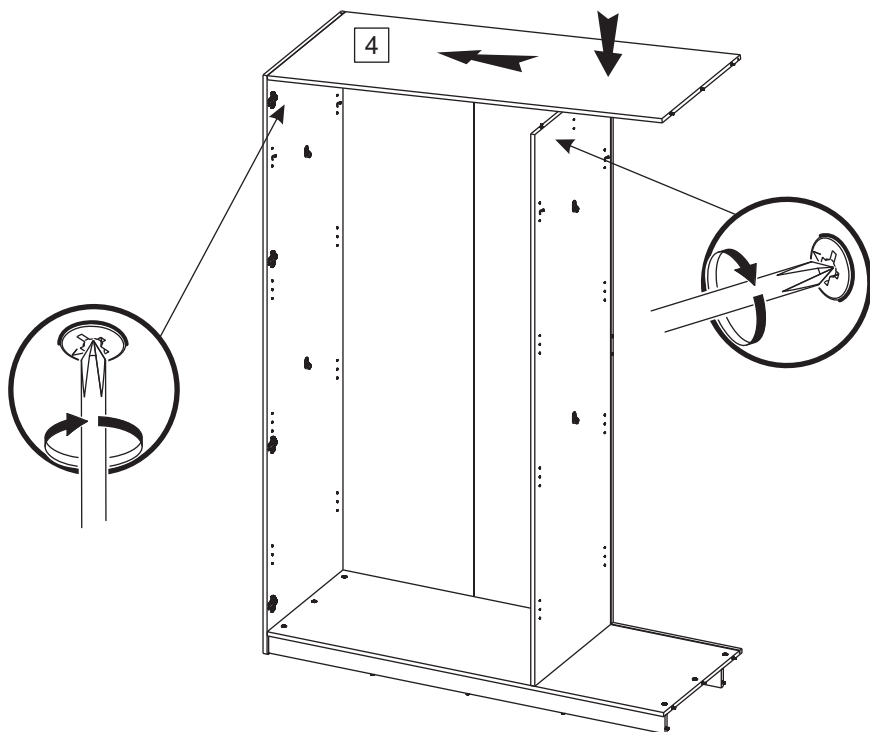
5



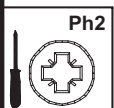
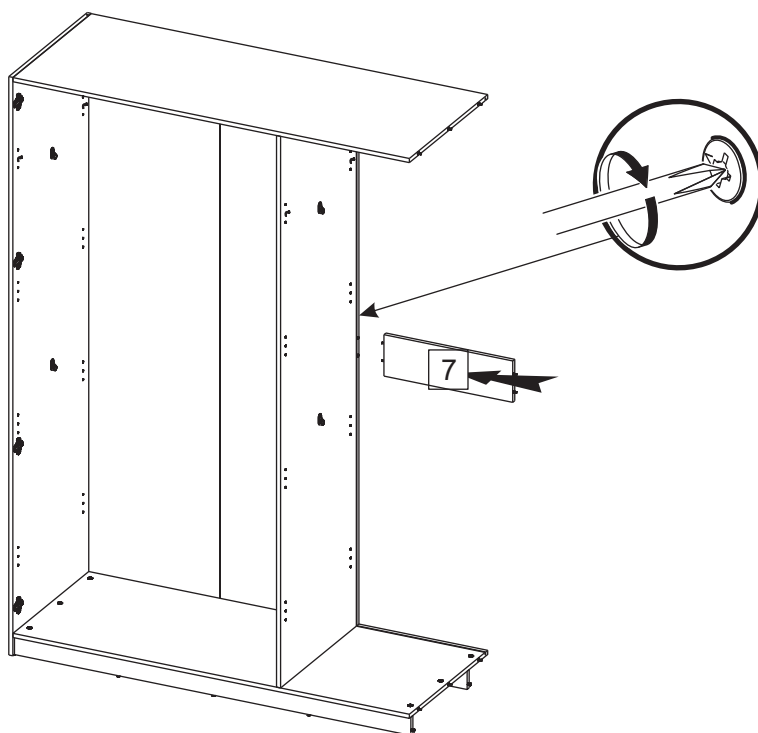
6



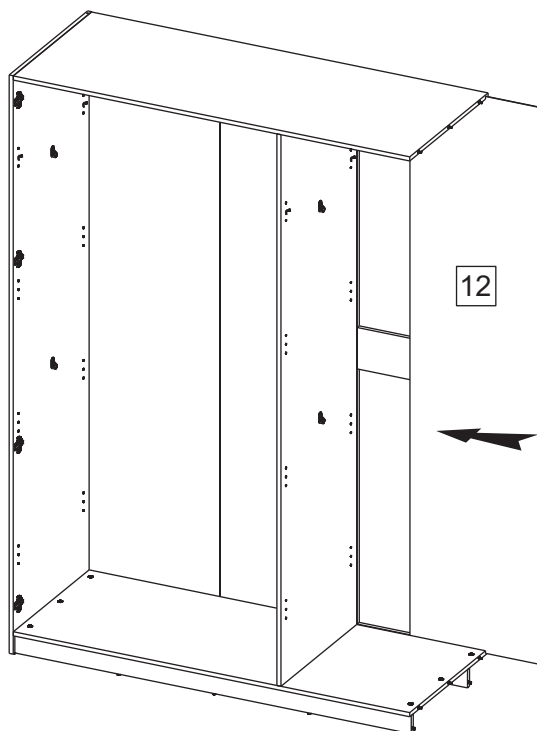
7



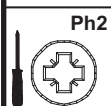
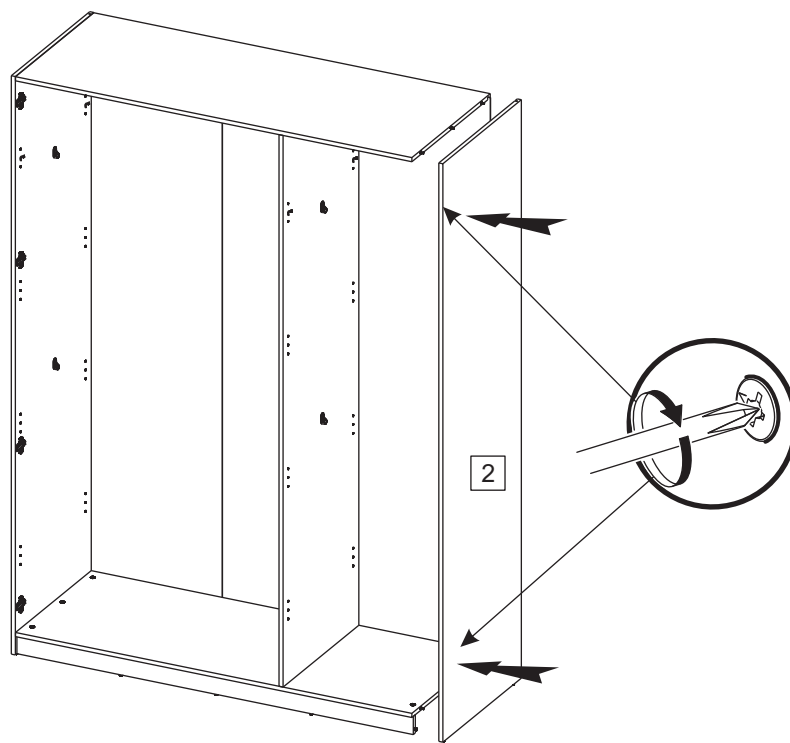
8



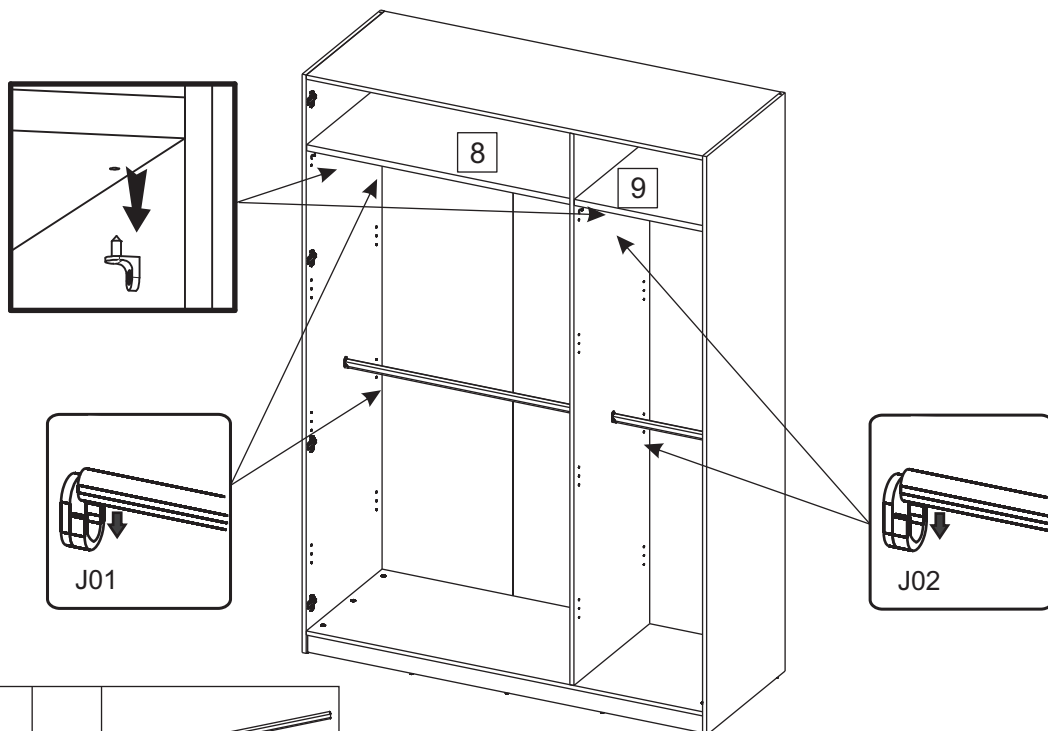
9





10

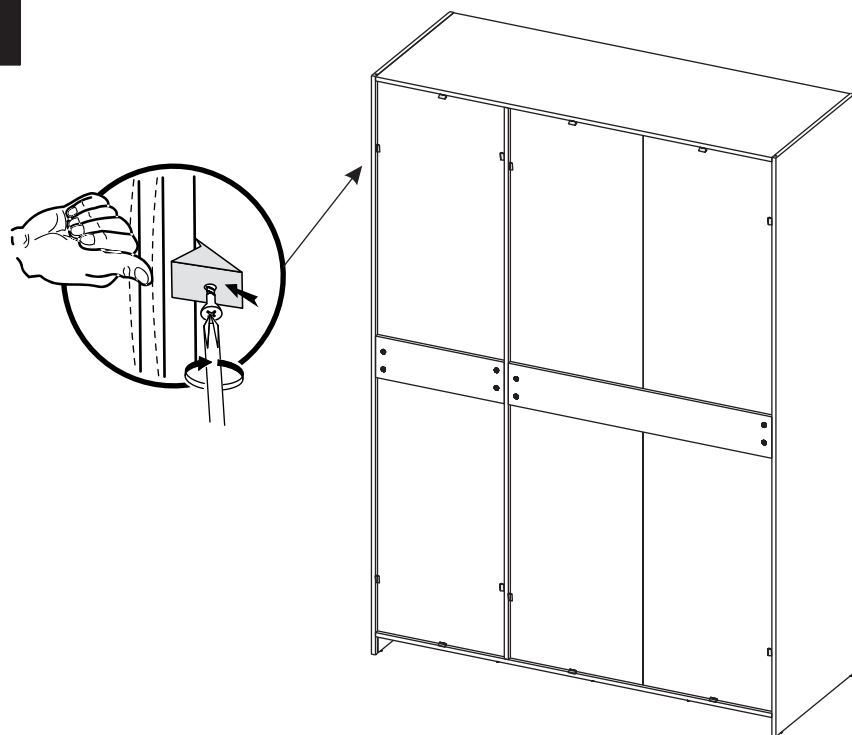



11



J01		2	
J02		2	

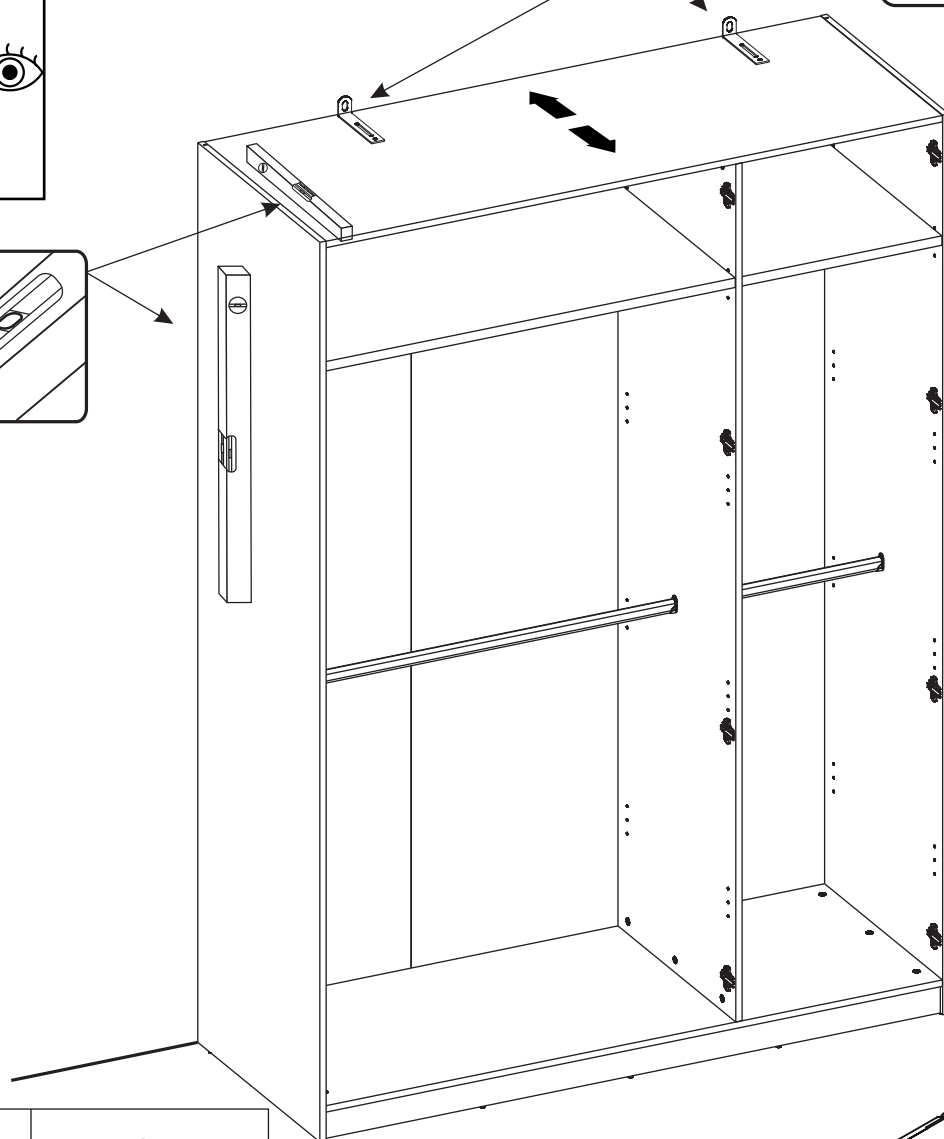
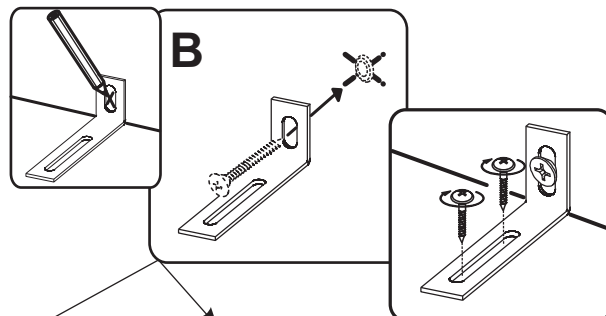
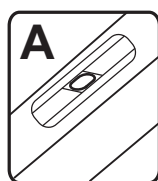
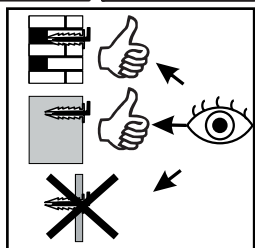
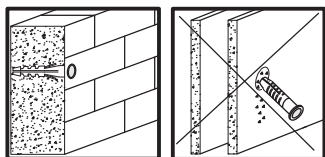
12



R01		14	
-----	--	----	---

13

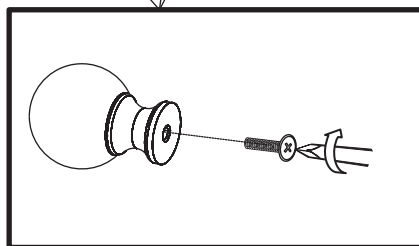
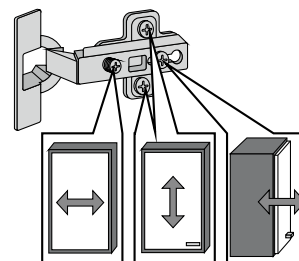
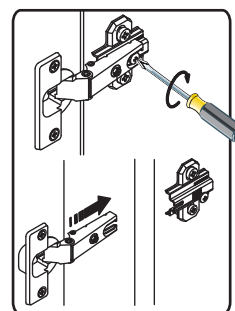
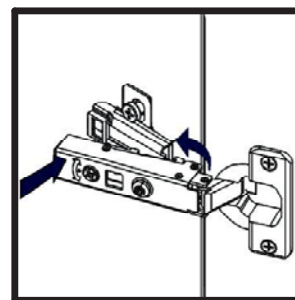
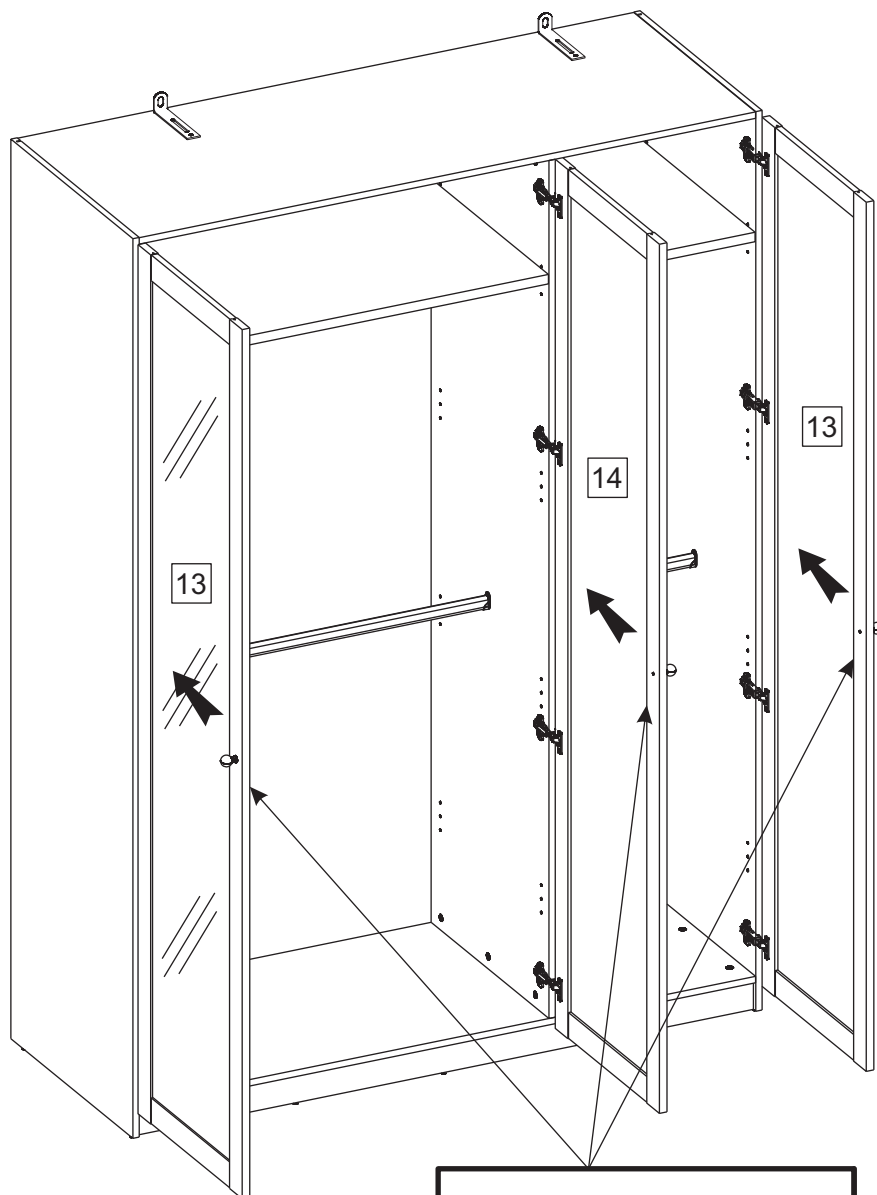
We recommend the use of the wall strap provided for safety reasons. Wall fixings are not included, please source suitable fixings for your wall type. If in doubt, please consult a qualified trades person. **WARNING:** Always ensure the wall to be drilled is free from hidden electrical wires, water and gas pipes.





W07	4x13mm	4	
P01		2	



14



Y01	4x25mm	3	
U16		3	

next

# FLEUR 3 DOOR ROBE

804027

Assembly instructions

Actual product size  
H210 x W150 x D60

