

next

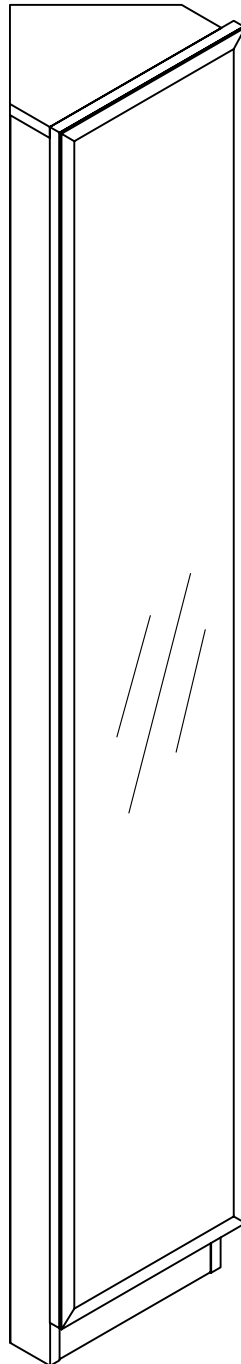
BLACK BEVEL CORNER TALLBOY

815690

Assembly instructions

Actual product size

H175 x W30x D23cm



Need Help ?

With: Assembly instruction
Missing or damaged parts

IMPORTANT - RETAIN FOR FUTURE REFERENCE

CALL: 0333 777 8999

BEFORE YOU START

Warnings

We suggest you retain these instructions for future reference.

Gloss finishes are prone to light surface scratches and it is therefore very important that you care for this item correctly.

Keep fittings out of children's reach and keep children well away from construction area.

This product should only be used on firm level ground.

Please periodically check all fittings and re-tighten as necessary.

Please do not sit or stand on your furniture.

Avoid exposing the furniture to excessive heat or direct sunlight as this can cause deterioration of the colour.

Unwrap all packaging materials and place the components on top of the carton box or on a clean floor to protect it from damage

Do's

We suggest you spend a short time reading through this leaflet before you start.

When you are ready to start, make sure that you have the right tools and plenty of space.

Unwrap all packaging materials and place the components on a clean surface to protect it from damage, We recommend that the packaging is used to protect the surfaces during assembly.

Carefully check that you have all the parts before beginning assembly.

Due to the size of this product we recommend that it is assembled in the room intended for use.

Ensure the product is fully assembled as illustrated and all fixings fully tightened before use.

Wipe occasionally with a soft cloth slightly dampened with water. Then buff with a dry clean soft cloth.

Wood will mellow and change colour over time, we recommend that ornaments and items placed on the surface are moved regularly for the first few months to prevent uneven mellowing.

Name and Address: NEXT RETAIL LTD. LE19 4AT
 Identification and model Number: 815690 GOLD BROADWAY MIRROR
 Date of Manufacture: 9/2014
 Contract number: IG8429586
 Nominal thickness of Glass: 5mm, Annealed glass
 Country of Origin: China

If a glass component is chipped or broken replace with glass of the type described on this label. Consult with the retailer with regard to obtaining a manufacturing specification and shape for replacement glass quoting the model number, batch number and date of manufacture.

Don'ts

Do not drag or pull your furniture.

Do not rub or scrub the surface when cleaning.

Do not use silicone based furniture polish. Silicone in furniture polishes can break down the finish.

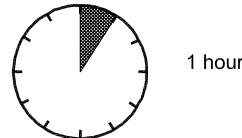
Never allow any kind of liquid to remain on your furniture. Absorption can cause wood to warp or finishes to de-laminate.

Do not place hot items (e.g. hot drinks) directly on to the wood surface. Please make sure you use a placemat or coaster.

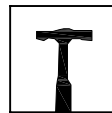
Number of people required to assemble

Two people are required to assemble this item

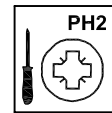
Time to assemble



Tools required



not supplied



not supplied

Missing parts

If you are missing any fixtures and fittings for your product. Please contact our customer service team on 0333 777 8999 and they will be happy to arrange for a replacement to be sent to you free of charge.

Home service technicians

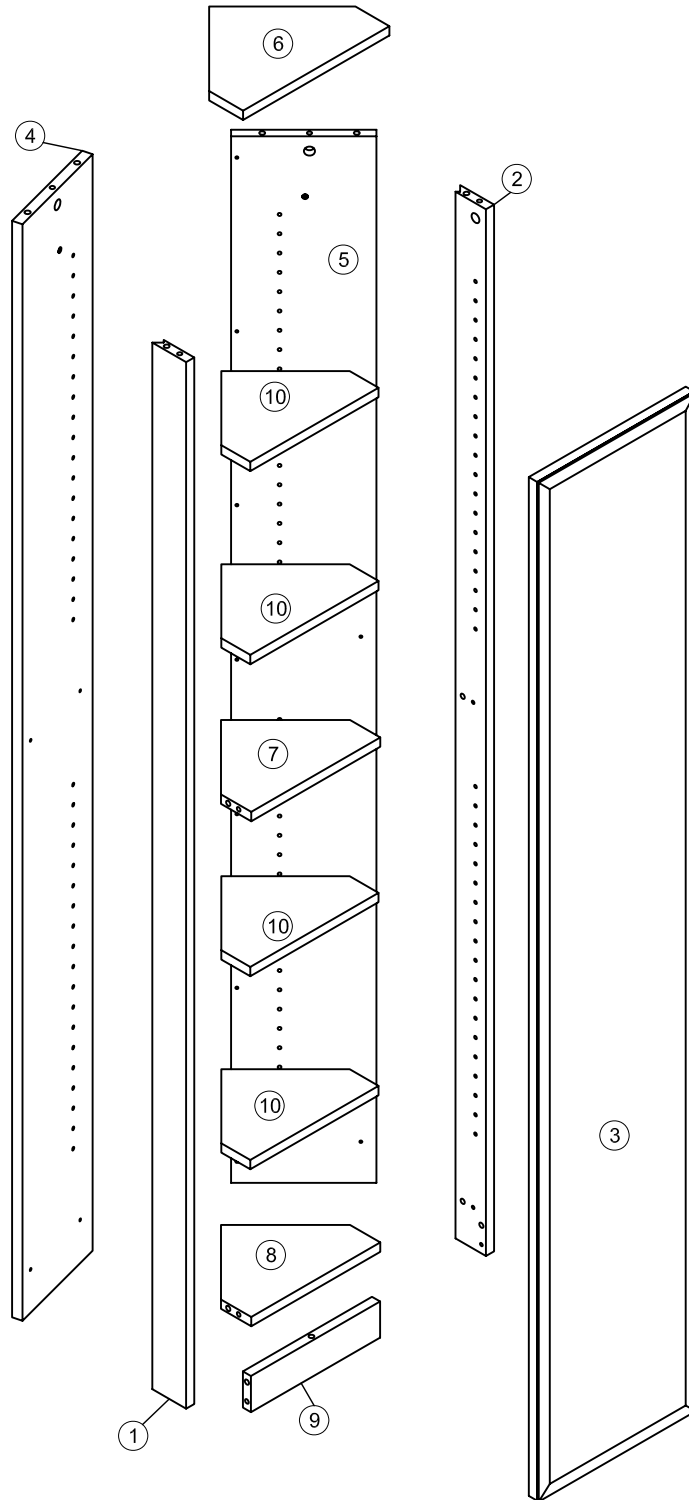
If you have a fault with your product, please contact our customer service team on 0333 777 8999. If you have had the product for 28 days or less you may be offered a replacement, refund or for a fully trained home service technician to visit your home to assess the fault and repair the product where possible. If you have had the product for more than 28 days we will send an independent home service technician to review and repair the product where possible and recommend further action.

You can write to us at

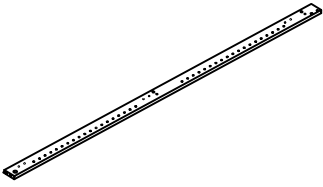
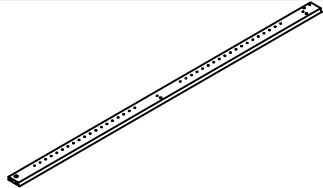
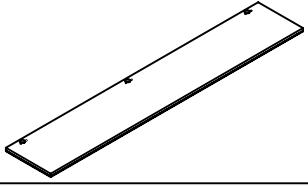
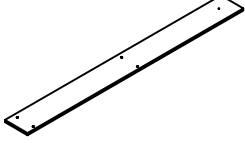
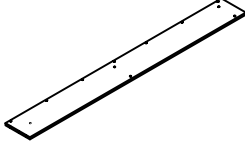
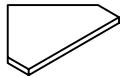
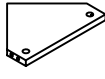
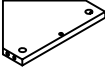

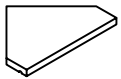
Home Customer Services
 Next Retail Ltd.
 Desford Road,
 Leicester,
 LE19 4AT

To view our full furniture range please visit www.next.co.uk

GETTING TO KNOW YOUR PRODUCT

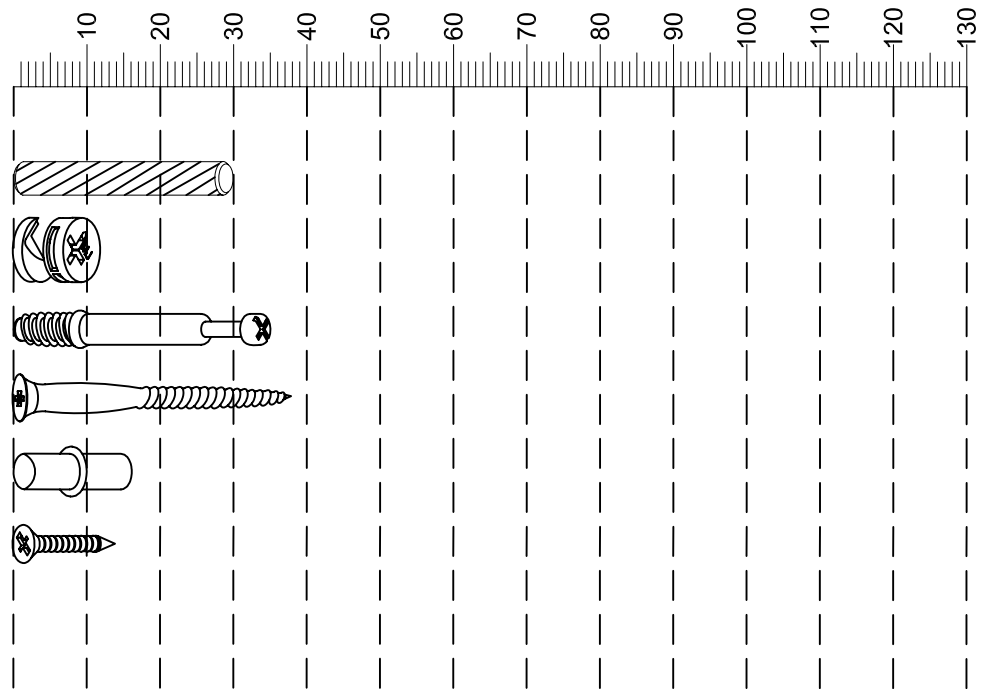


Components supplied. Please use this guide if you require replacement parts.

Ref	Dimensions	Visual	Qty
1	6x173cm		1
2	6x173cm		1
3	30x169cm		1
4	18x173cm		1
5	20x173cm		1
6	21x28cm		1
7	18x25cm		1
8	18x25cm		1
9	6x25cm		1
10	18x25cm		4

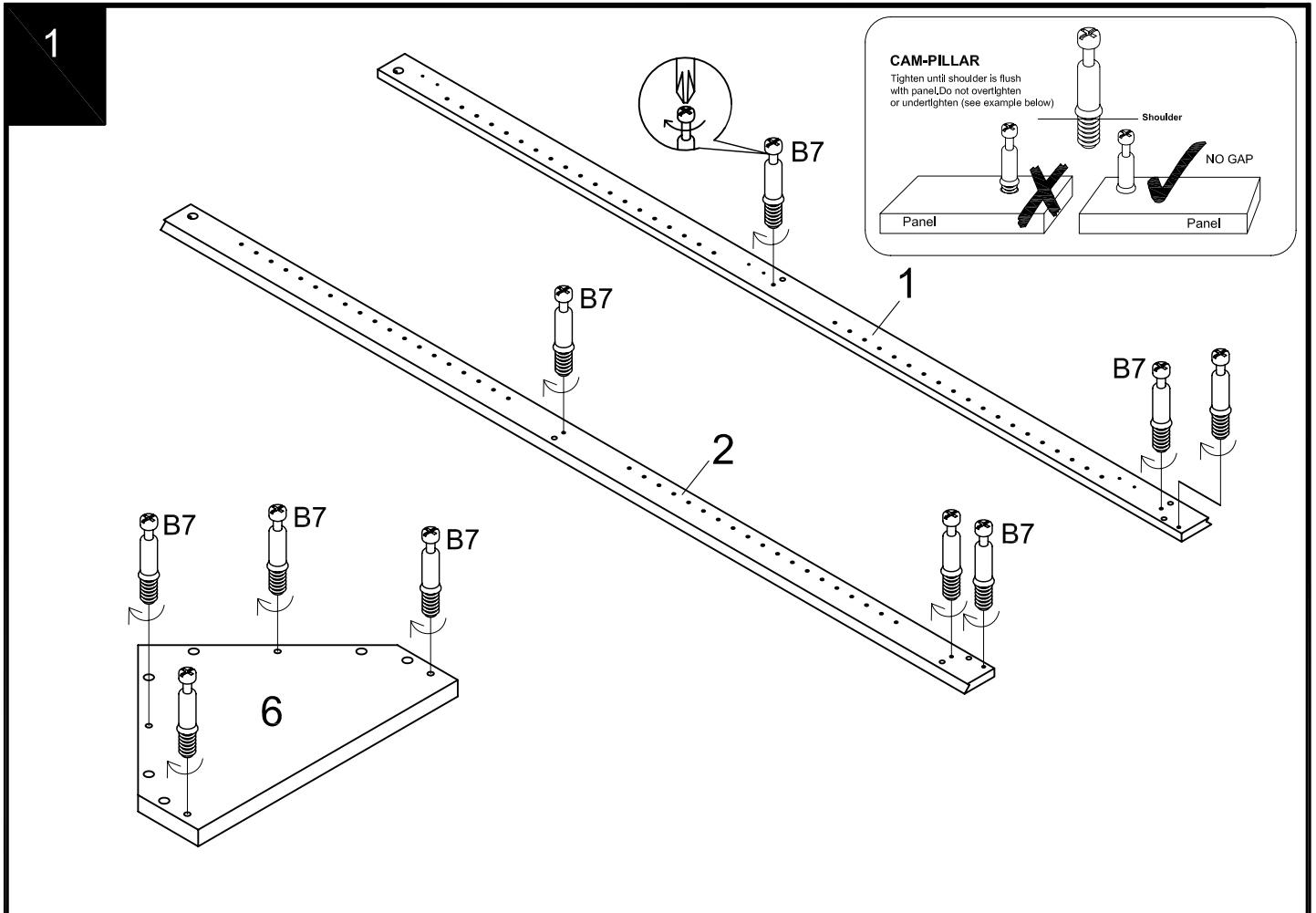
Fixtures and fittings supplied (actual size)

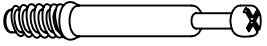

Ref	Dimensions	Qty
D6	8 x 30mm	13
B4	Ø15 x 12mm	10
B7	Ø7.5 x 35mm	10
U157	Ø4 x 38mm	15
P3	5 x 16mm	16
U139	Ø4 x 14mm	12

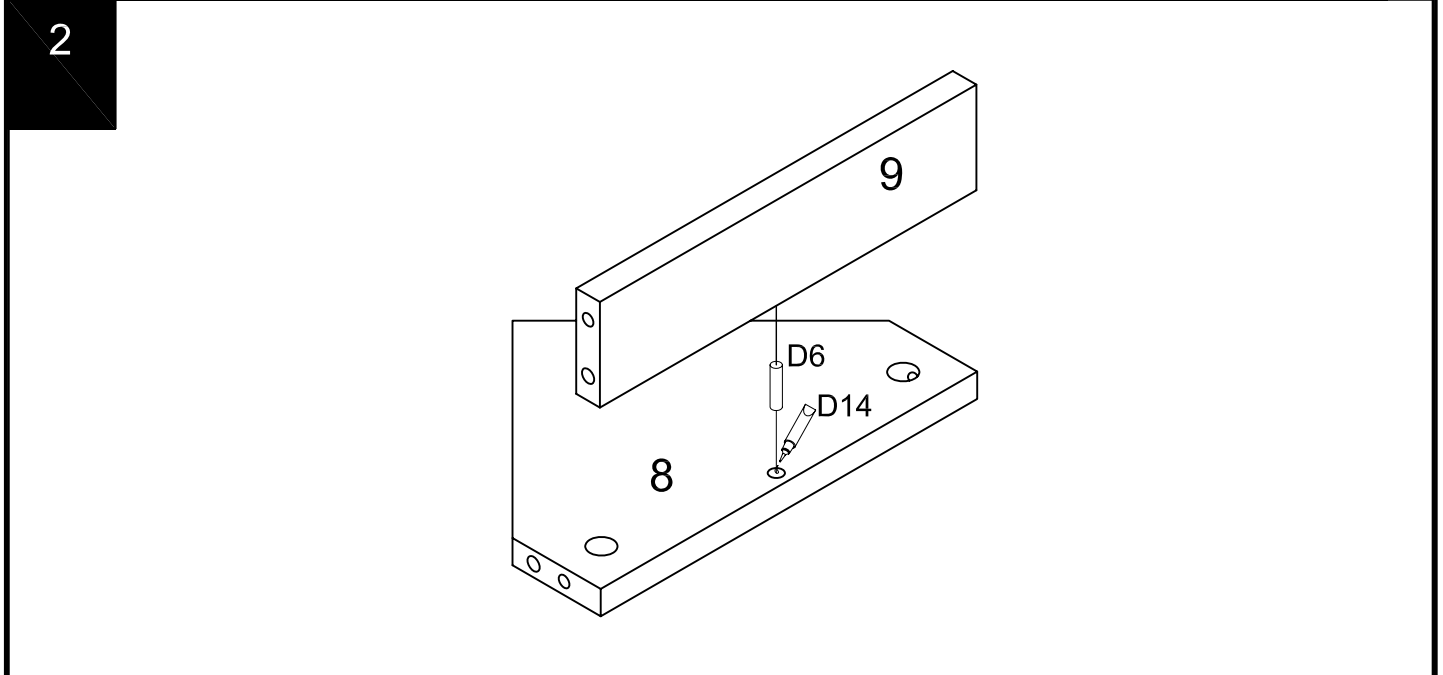




Fixtures and fittings supplied (not to scale)

Ref	Dimensions	Qty	Visual
O1	Ø25mm	6	
D14	N/A	1	
C5	N/A	3	

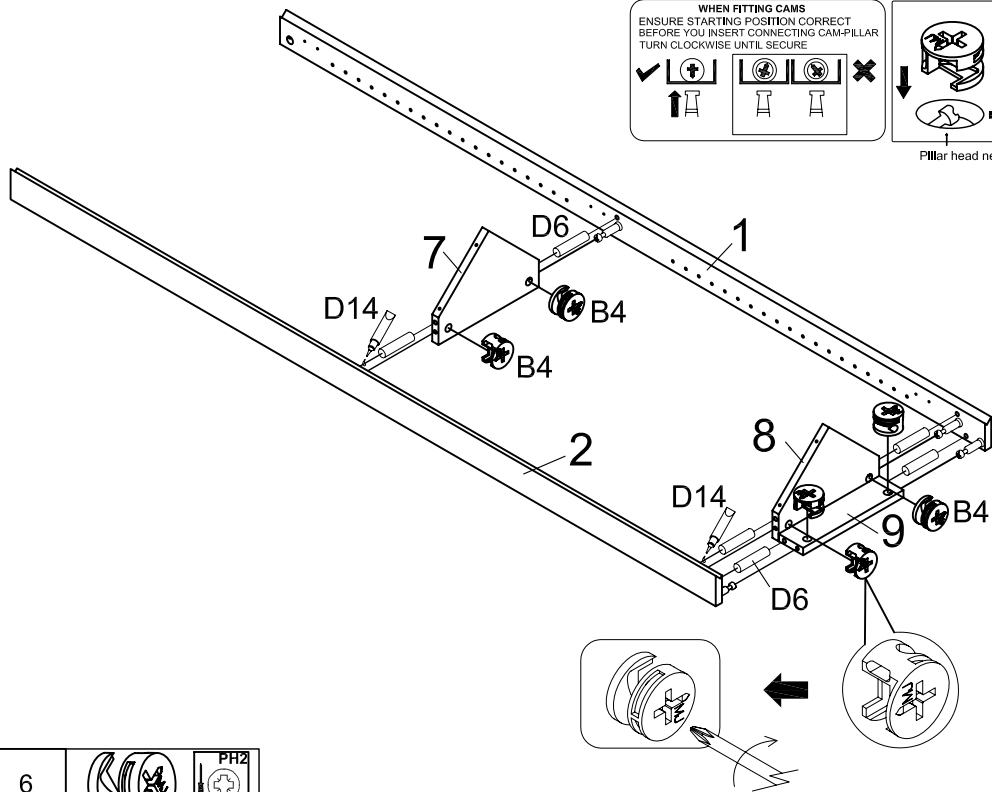






B7	Ø7.5 x 35mm	10		 not supplied
----	-------------	----	---	---



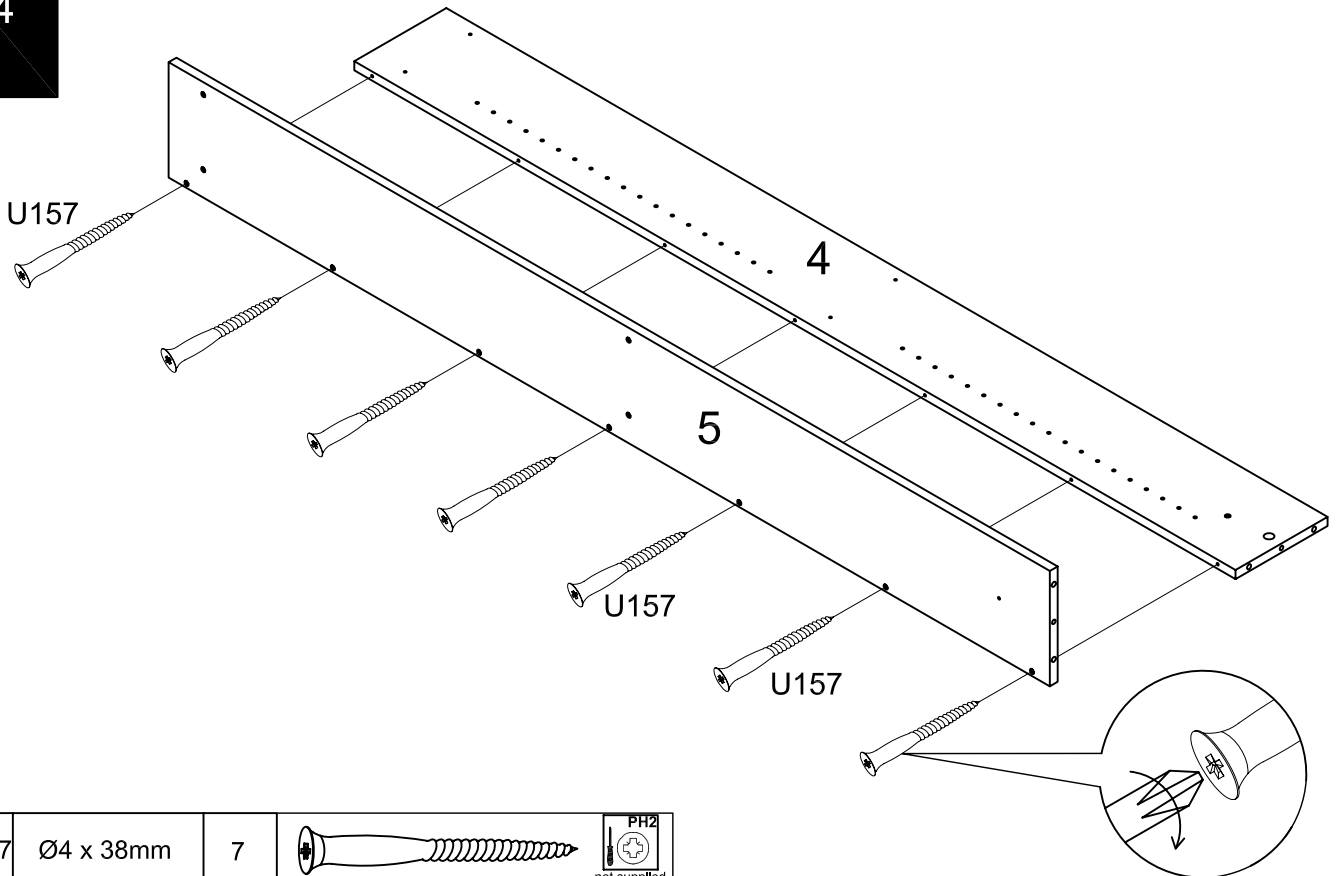
D6	8 x 30mm	1		 not supplied
----	----------	---	---	---

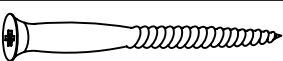

3



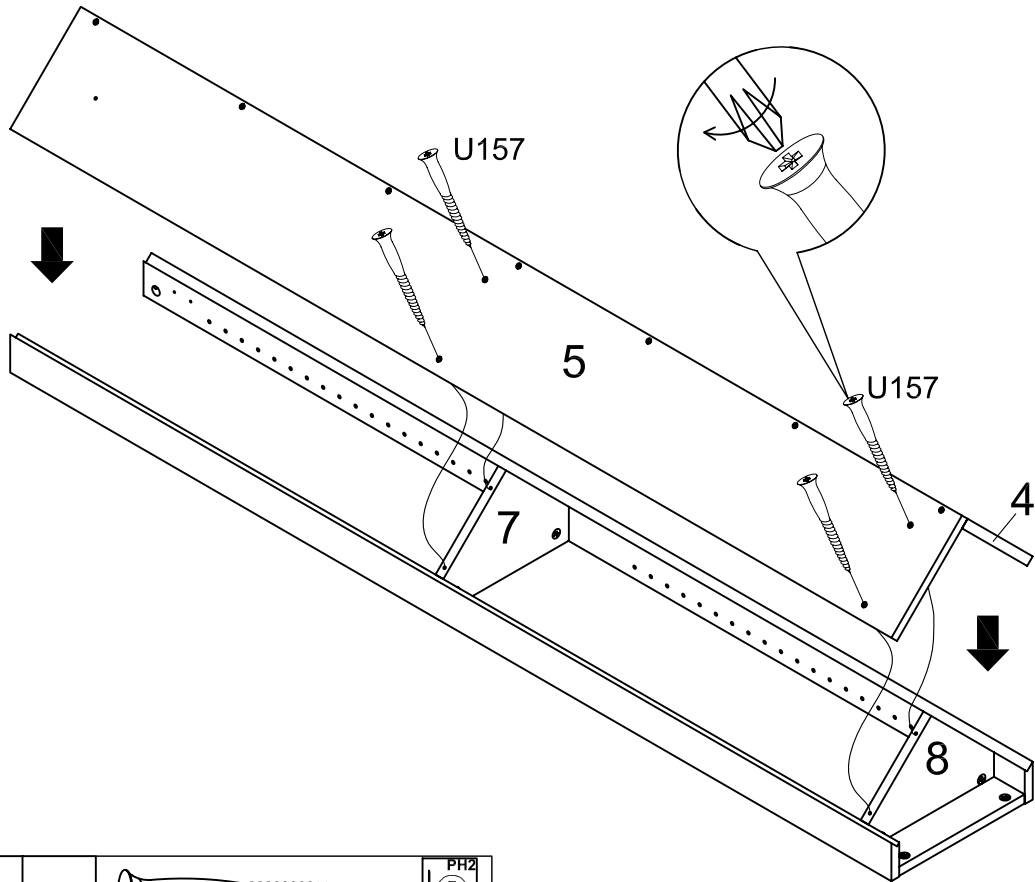
B4	Ø15 x 12mm	6	  not supplied
D6	8 x 30mm	6	  not supplied

4



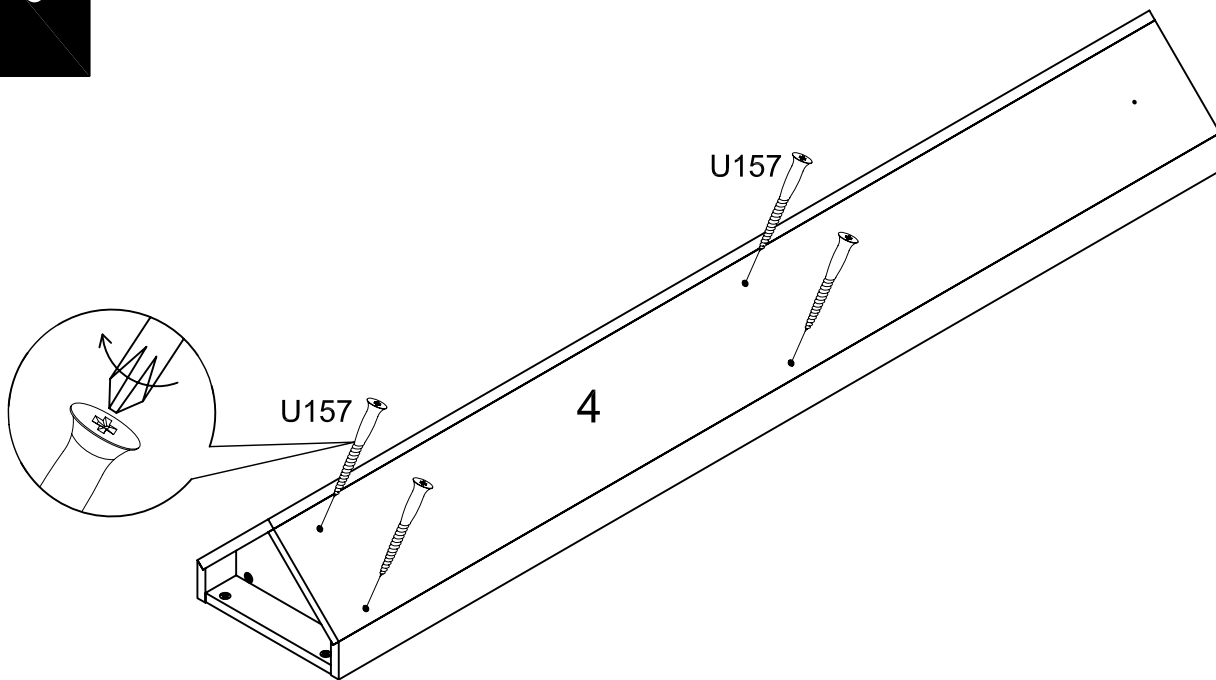
U157	Ø4 x 38mm	7	  not supplied
------	-----------	---	---

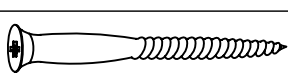

5



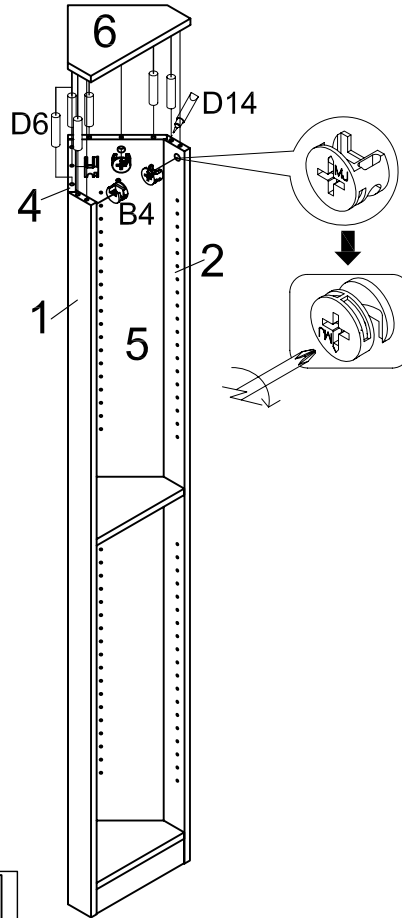
U157	Ø4 x 38mm	4		 not supplied
------	-----------	---	---	---





6



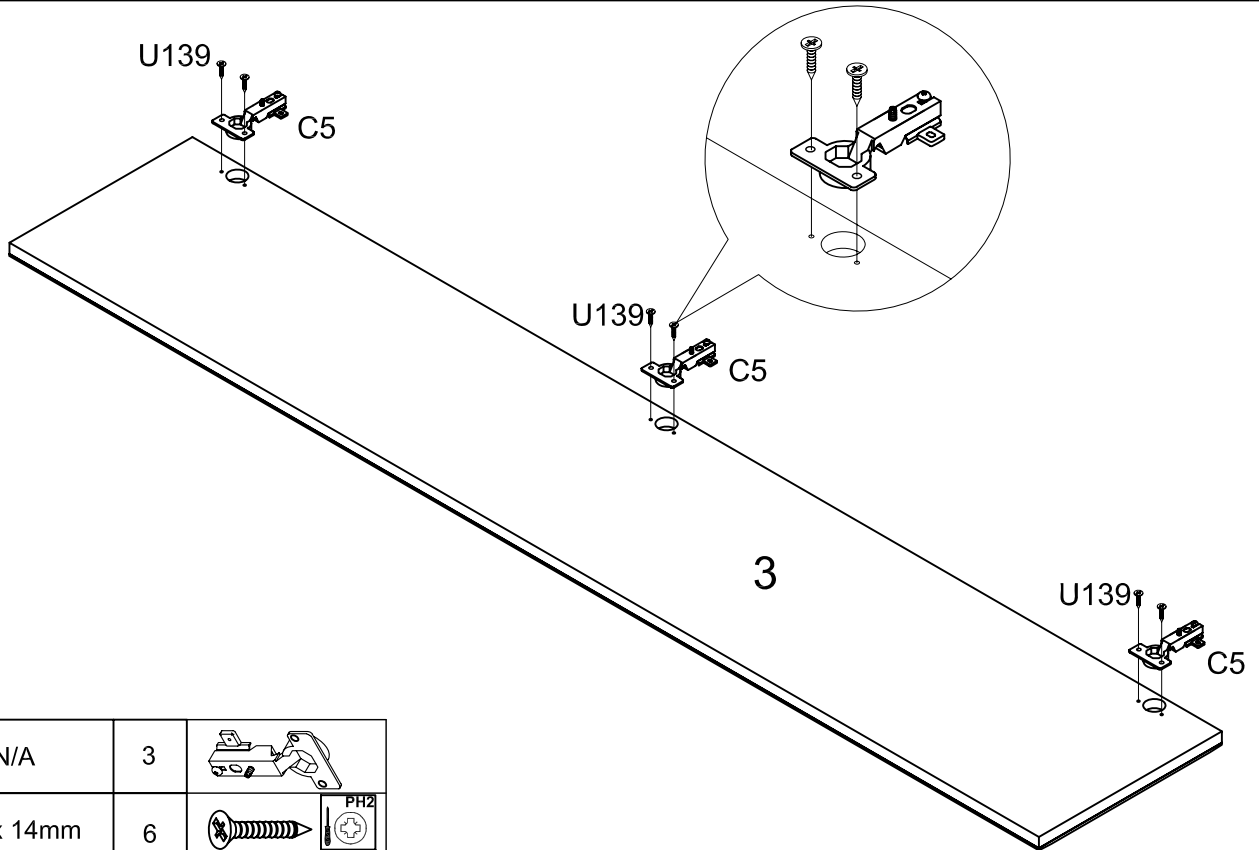
U157	Ø4 x 38mm	4		 not supplied
------	-----------	---	---	---




7



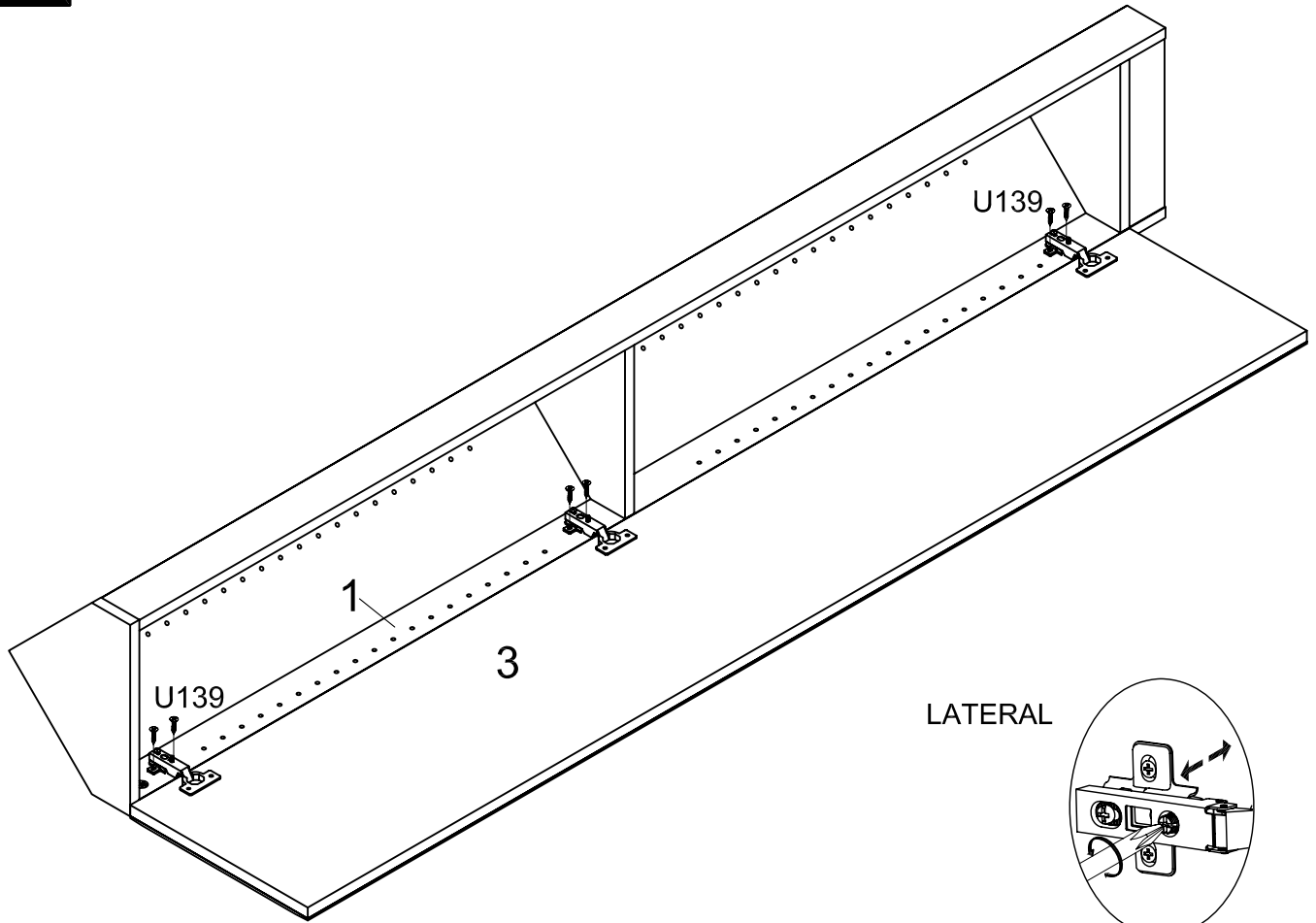
B4	Ø15 x 12mm	4	  not supplied
D6	8 x 30mm	6	  not supplied

8

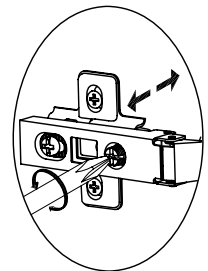


C5	N/A	3	
U139	Ø4 x 14mm	6	  not supplied

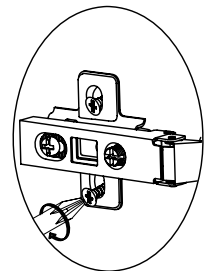
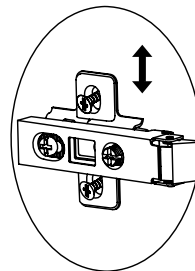
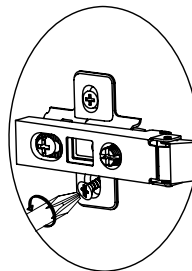
9



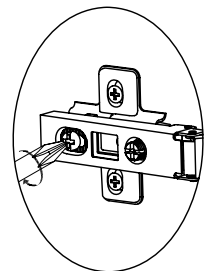
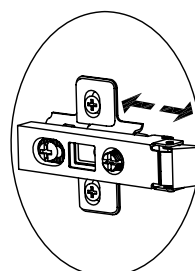
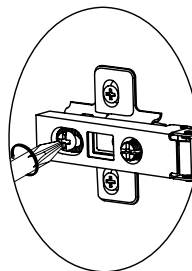
LATERAL





VERTICAL

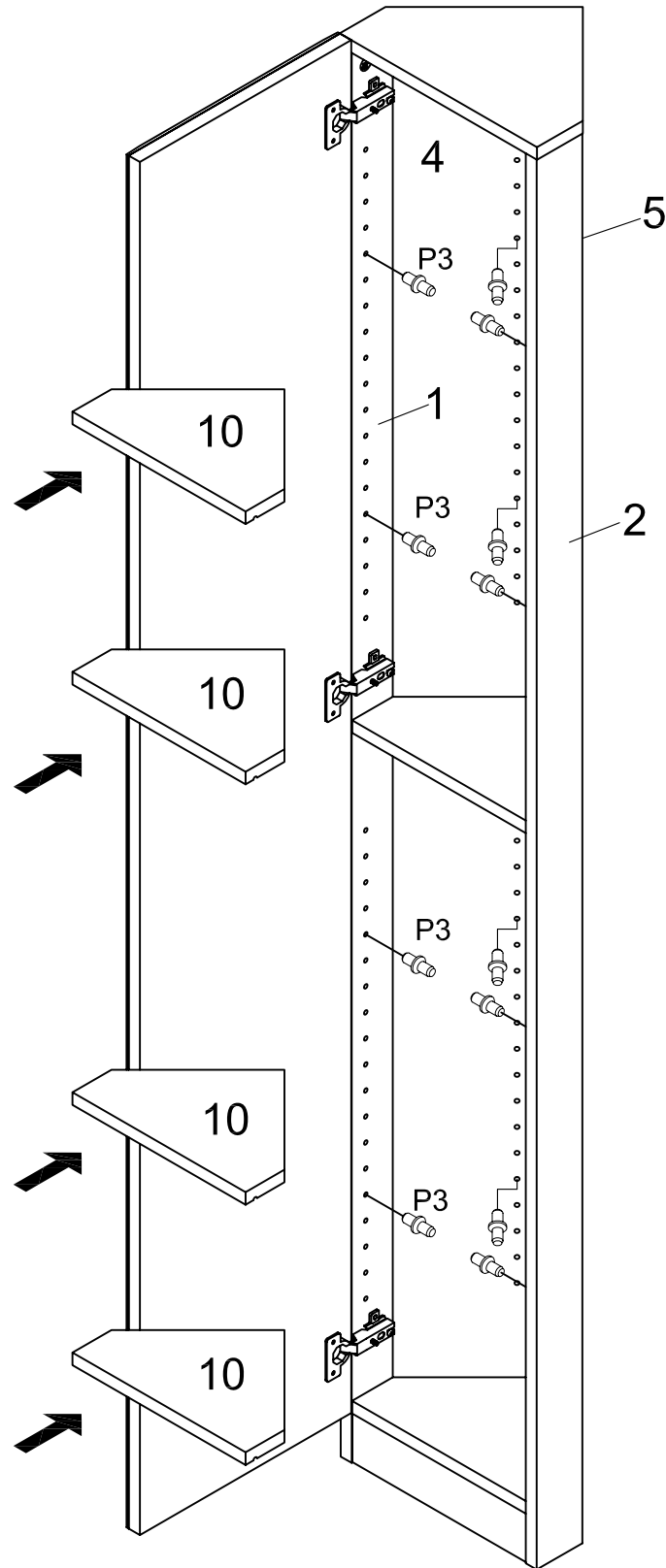


FRONT- TO-BACK



U139	Ø4 x 14mm	6		
				not supplied

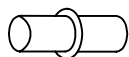
10



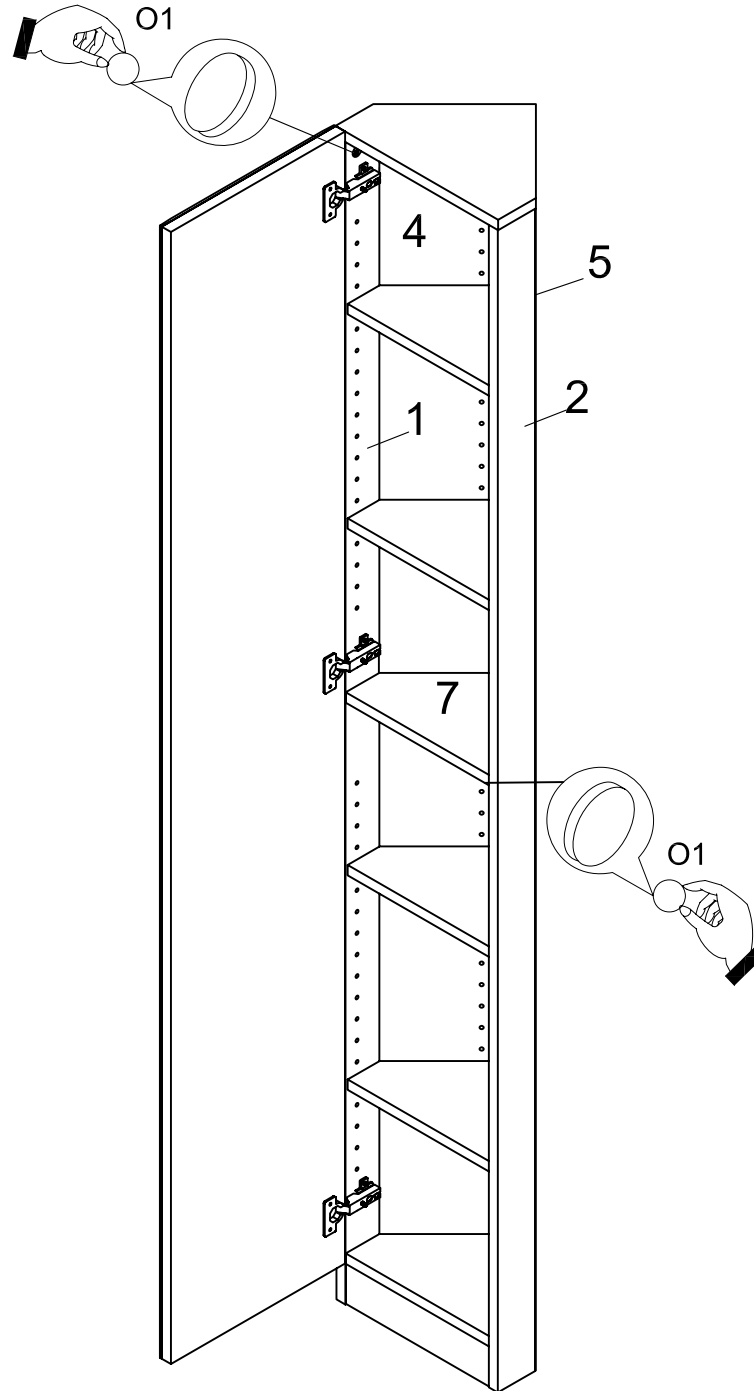
P3

5 x 16mm

16



11



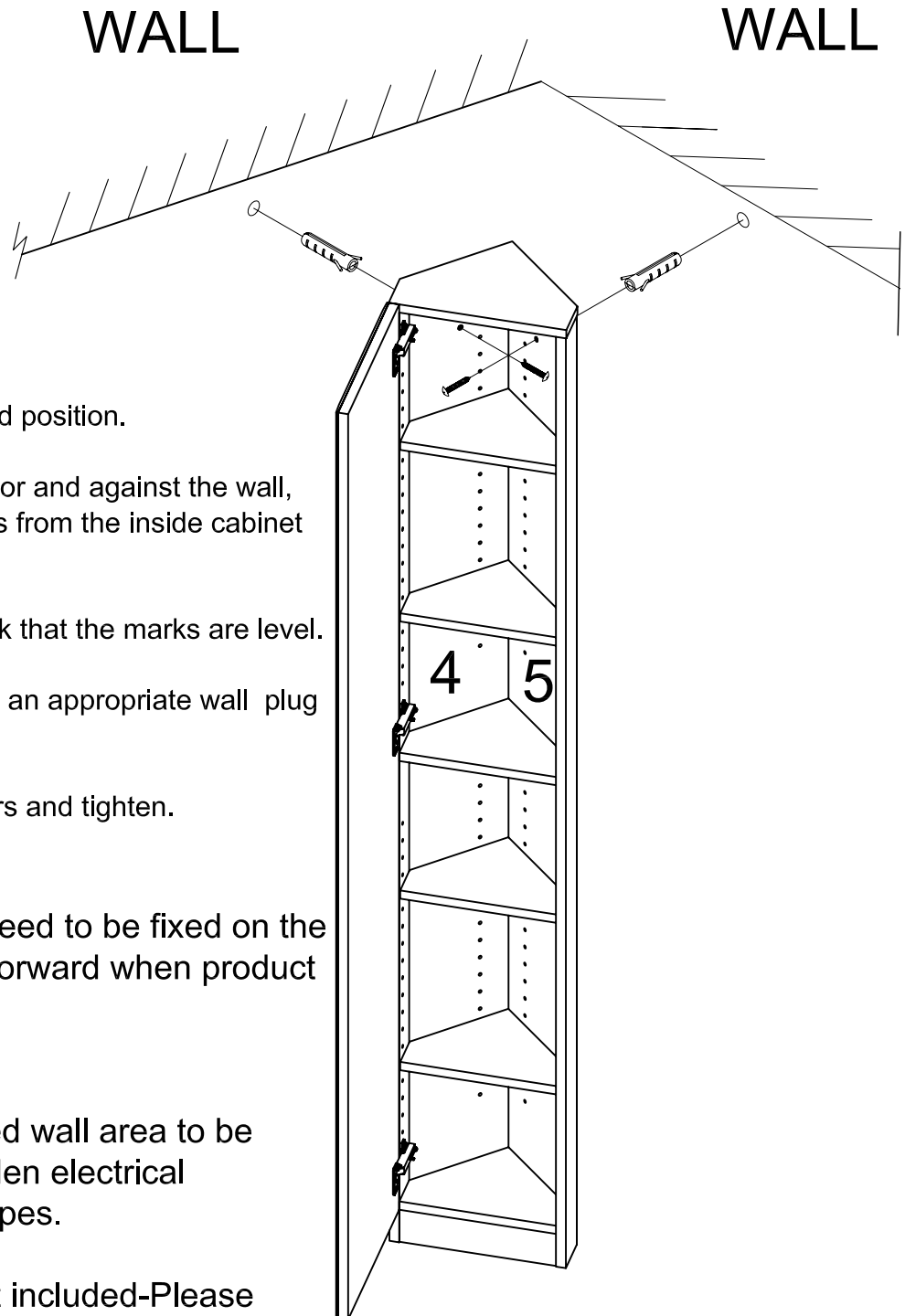
O1

Ø25mm

6



12



1. Move the unit into desired position.
2. Lift the cabinet on the floor and against the wall, use pencil to mark positions from the inside cabinet key holes.
3. Use a spirit level to check that the marks are level.
4. Drill two holes and insert an appropriate wall plug into each.
5. Insert the screws/washers and tighten.

Warning:
please note this item need to be fixed on the wall to prevent falling forward when product is in use.

Warning:
Always ensure intended wall area to be drilled is free from hidden electrical wires, water and gas pipes.

NB: Wall fixings are not included-Please source suitable fixing for your wall type. If in doubt please consult a qualified trades person.

next

BLACK BEVEL CORNER TALLBOY
815690

Actual product size
H175 x W30 x D23cm

