

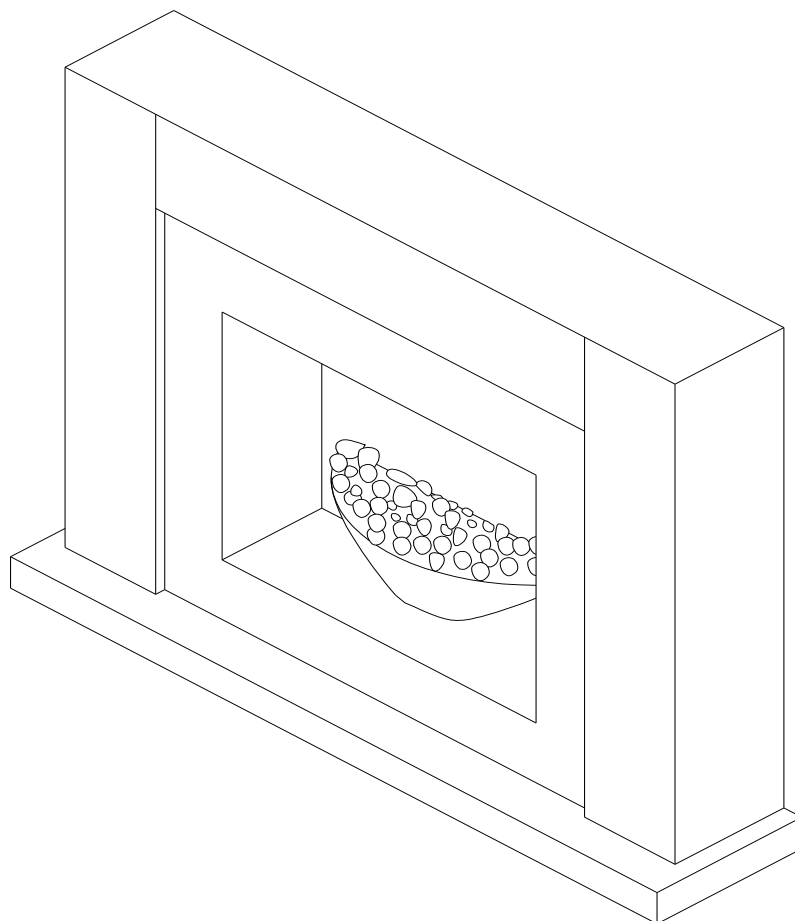
next MODE WALNUT VESSEL

837668

Assembly instructions

Actual product size

H81.5 x W107 x D24cm



Need Help?

With: Assembly instructions

Missing or damaged parts

IMPORTANT- RETAIN FOR FUTURE REFERENCE

CALL: 0333 777 8999

BEFORE YOU START

Warnings

We suggest you retain these instructions for future reference.

Unwrap all packaging materials and place the components on top of the carton box or on a clean floor to prevent it from scratching.

This product should only be used on firm, level ground.

Keep small parts out of reach of children.

Suites are designed to be freestanding and should not be permanently secured or sealed to the wall.

Read all instructions before using this heater. When using an electrical heating appliance basic precautions should always be followed to reduce the risk of fire, electric shock, and injury to persons, including the following:

This heater is hot when in use. To avoid burns, do not let bare skin touch hot surfaces. Keep combustible materials such as furniture, pillows, bedding, papers, clothes, and curtains at least 1 metre from the front of the heater and keep them away from the sides and rear.

Extreme caution is necessary when any heater is used by or near children or invalids and whenever the heater is left operating and unattended. The guard is to reduce the risk of fire or injury from burns and no part of it should be permanently removed. It does not give full protection for children or the infirm.

Always unplug the heater when not in use. To disconnect heater, turn controls to off, then remove the plug from the socket.

Connect to properly earthed sockets only. The earth should comply with current IEE regulations.

Use this heater only as described in this manual. Any other use not recommended by the manufacturer may cause fire, electric shock, or injury to persons.

Avoid the use of an extension power cord because this may overheat and become a fire hazard. If an extension cord must be used it should be a 13A extension cord.

The appliance must be positioned so that the plug is accessible. If you choose to chase the wire into the wall or cosmetic reasons and or to install the fire using a fuse spur connection then the manufacturer cannot be held liable for any charges arising from future decorative or re-installation costs should the fire require to be exchanged at a future date.

This heater should not be used in a dusty environment.

Warning: in order to avoid over heating do not cover the heater.

The appliance MUST be earthed.

The appliance MUST NOT be situated directly below a fixed socket outlet.

Check the voltage requirement of the fire accords with the local supply voltage.

If the moulded plug is removed it should be disposed of with the fuse removed, as there is a risk of electrical shock if inserted into another socket outlet.

If the power cord needs to be changed, it can be accessed through the mains access cover. This work should only be done by a qualified electrician.

Do's

We suggest you spend a short time reading through this leaflet before you start.

When you are ready to start make sure that you have the right tools, plenty of space and a clean, dry area for assembly.

Check the pack and make sure you have all the parts listed.

During assembly children should be kept away from the product due to possible risk of injury.

Due to the size of this product we recommend that it is assembled in the room intended for use.

Ensure that this product is fully assembled as illustrated before use.

Check all screws or bolts are tightened and inspect regularly.

next MODE WALNUT VESSEL

837668

Assembly instructions

To clean wipe with a sponge and warm soapy water. Do not use solvent based cleaners or detergents as they can bleach or damage the product.

Dont's

Do not drag or pull your furniture.

Do not tighten screws unit fully assembled.

Do not overtighten screws or bolts.

Do not sit or stand on the product.

Do not use this product if parts are missing, damaged or worn.

Do not use this heater in bathrooms, laundry areas and similar indoor locations (e.g. shower or a swimming pool). Never locate heater where it may fall into a bathtub or other water container.

Do not run the power cord under carpeting. Do not cover the power cord with throw rugs, runners, or other like. Arrange the power cord away from traffic area and where it will not be tripped over.

Do not use this heater outdoors.

Do not operate a heater with a damaged power cord or plug or after a heater malfunctions, has been dropped or damaged in any manner. Return heater to authorised service facility for examination, electrical or mechanical adjustment, or repair.

Do not leave babies and young children unsupervised near this fire (even when switched off). Because of the size of the coals/pebbles there is a risk of choking if a piece is swallowed.

Never use scourers, abrasives or chemical cleaners.

Do not use the heater in areas where gasoline, paint, or flammable liquids are used or stored.

Do not use this heater in series with any device which would switch the heater on automatically, since a fire risk exists when the heater is accidentally covered or displaced.

To prevent a possible fire, do not block air intakes or exhaust in any manner. Do not use above soft surfaces, like a bed, where openings may become blocked.

Do not insert or allow foreign objects to enter any ventilation or exhaust opening as this may cause an electric shock or fire, or damage the heater.

Number of people required to assemble

Two people are required to assemble this item.

Times to assemble

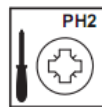


1 hour

Tools required



not supplied



not supplied

Missing parts

If you are missing any fixtures and fittings for your product please contact our customer service team on 0333 777 8999 and they will be happy to arrange for a replacement to be sent to you free of charge.

Home service technicians

If you have a fault with your product please contact our customer service team on 0333 777 8999. If you have had the product for 28 days or less you may be offered a replacement, refund or for a fully trained home service technician to visit your home to assess the fault and repair the product where possible. If you have had the product for more than 28 days we will send an independent home service technician to review and repair the product where possible and recommend further action.

You can write to us at

Home Customer services

Next Retail Ltd

Desford Road

Leicester

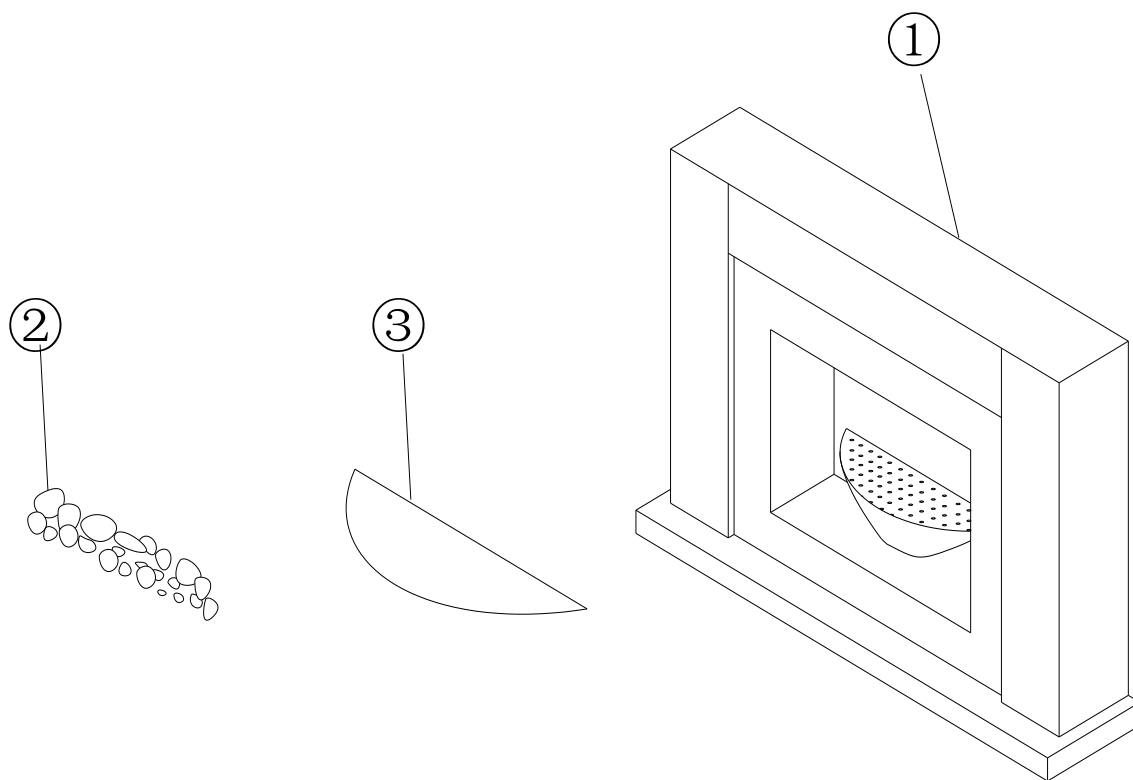
LE19 4AT

To view our full furniture range please visit www.next.co.uk

Produced in China for Next Retail Ltd.

837668-2014-V1

GETTING TO KNOW YOUR PRODUCT



Components supplied. Please use this guide if you require replacement parts.

Ref	Dimensions	Visual	Qty	Ctn
1	31.5 x 107cm		1	1
2	3 x 5cm		1	1
3	43 x 10.5cm		1	1

next MODE WALNUT VESSEL

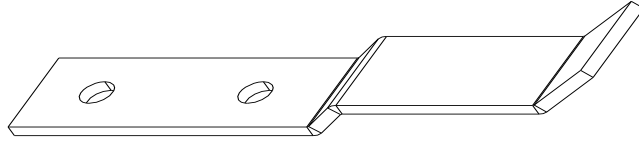
837668

Assembly instructions

Fixtures and fittings supplied (actual size)

Ref	Dimensions	Qty
A	10 x 1.6CM	2

mm 10 20 30 40 50 60 70 80 90 100 110 120 130

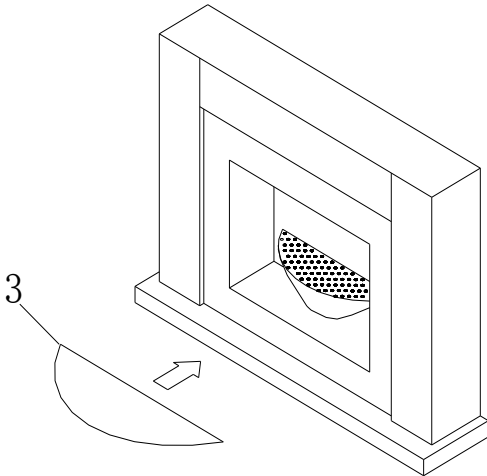


next MODE WALNUT VESSEL

837668

Assembly instructions

1

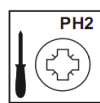
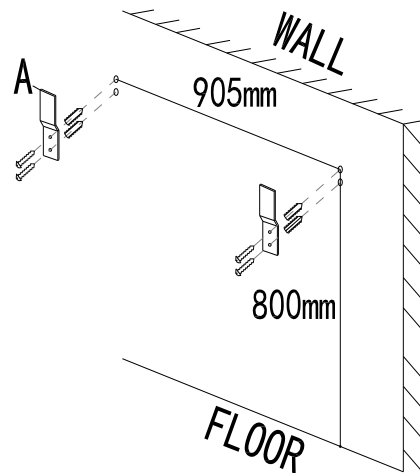


2

NOTE

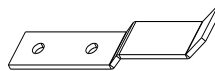
Wall fixings are not included. Please source suitable wall fixings for your wall type.

Ensure the area to be drilled is free from hidden electrical wires and water or gas pipes !

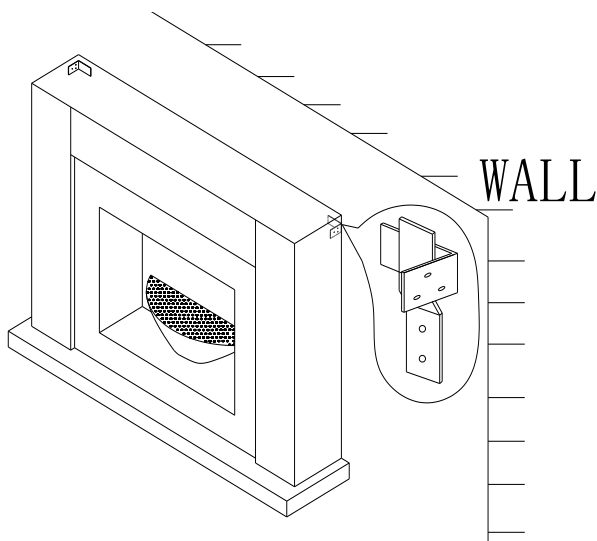


PH2

A X 2 10 x 1.6cm



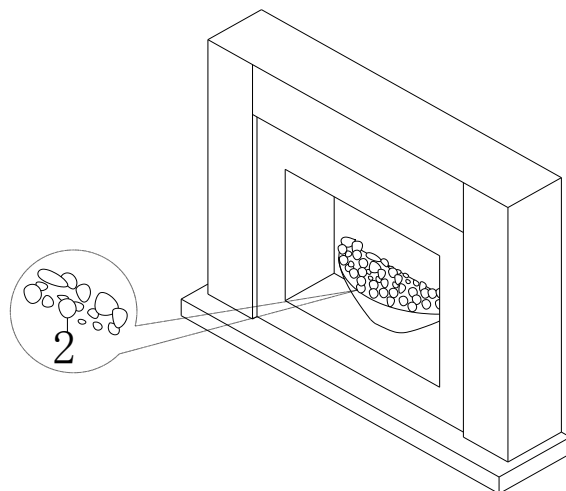
3



4

NOTE

You can adjust how the light filters through by slightly adjusting the positions of the pebbles on the tray once the unit is switched on.

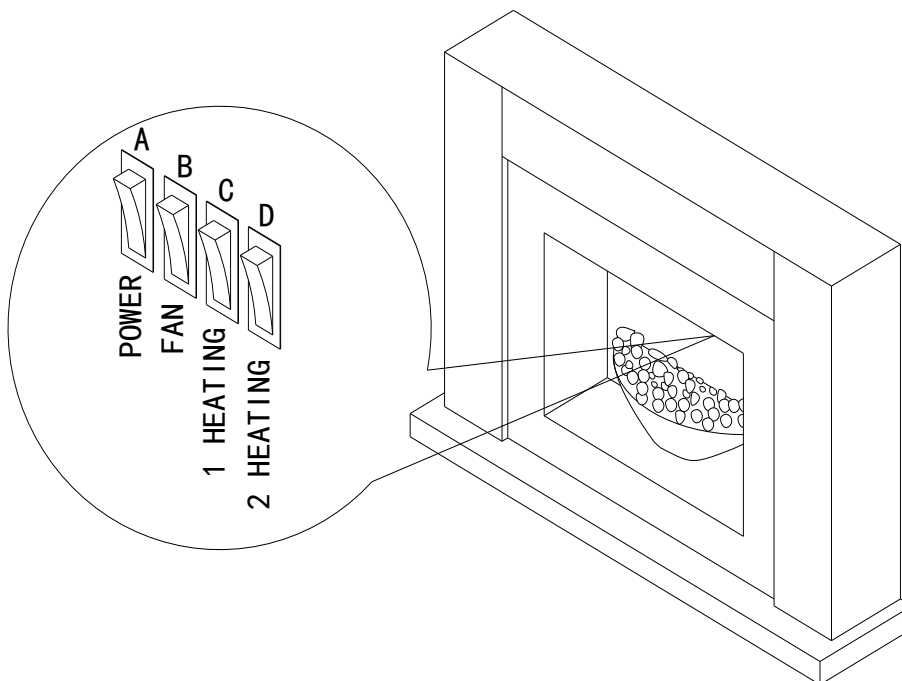


next MODE WALNUT VESSEL

837668

Assembly instructions

5



NOTE:

The switches are hidden underneath the canopy as shown. Switch A is the master power switch for the fireplace, and will switch all other functions on and off. Switches should be operated in sequence - for example A, B, C then D to turn all functions on, followed by D, C, B then A to turn all functions off.

Heating Appliance Settings

Switches	Positions	Settings
A	Off	All functions off
A	On	Flame effect on.
A+B	On	Flame effect and cool fan.
A+B+C	On	Flame effect and low heat (1KW).
A+B+C+D	On	Flame effect and high heat (2KW).

next MODE WALNUT VESSEL

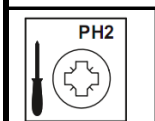
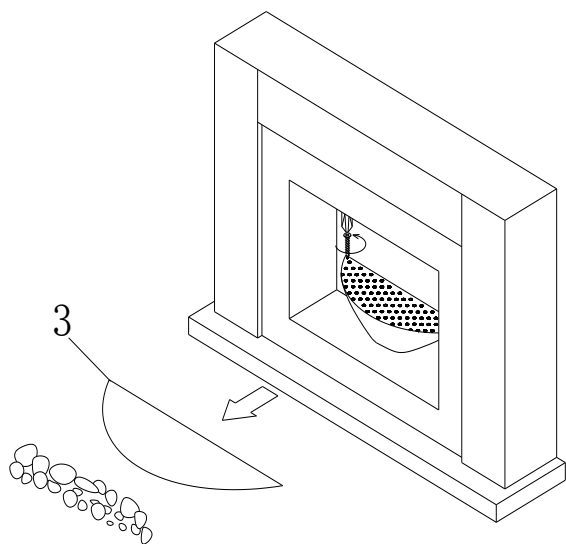
837668

Bulb replacement

1

WARNING

Before replacing the bulb, unplug or disconnect fire from the socket outlet !

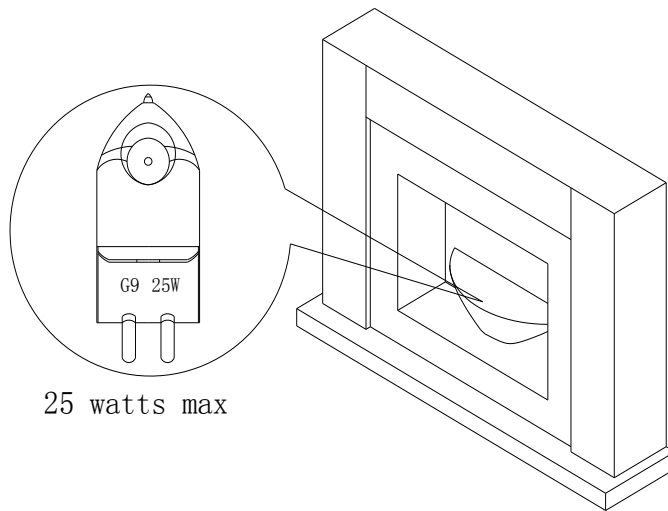


2

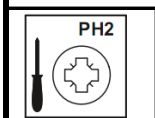
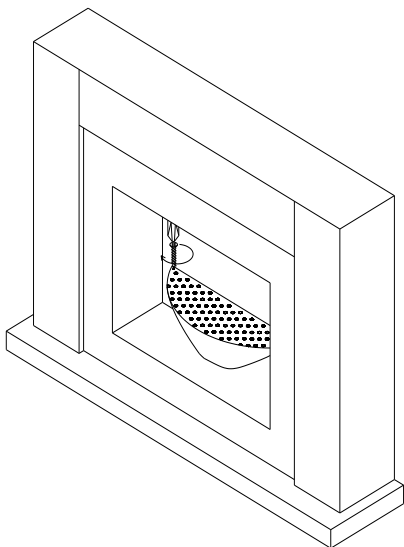
WARNING

Bulbs can be very hot, handle with care. Allow bulbs to cool before attempting to replace !

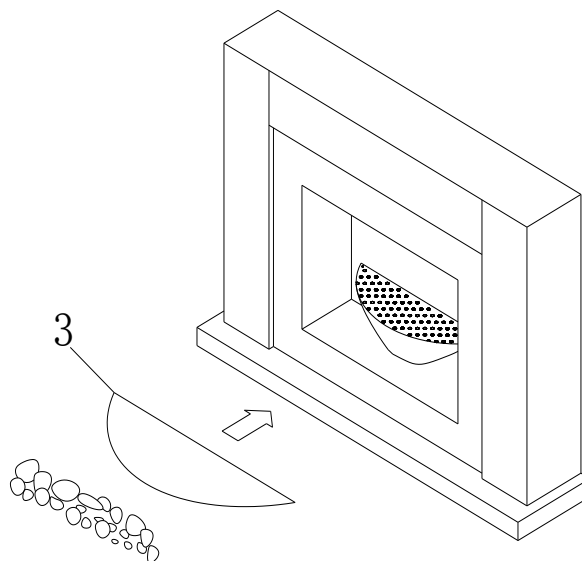
Only a G9/25 watts/~240V type bulb should be used in this product.



3



4



next MODE WALNUT VESSEL

837668

Troubleshooting

Problem	Diagnosis	Correction
No flame effect or fan operation	Suggests an electrical supply problem	<ul style="list-style-type: none">● Is the appliance plugged in and switched on at the mains? Are the switches on the fire correctly set?● Check the fuse in the plug. Replace as necessary.● Check that the socket functions correctly with other appliances.
Fan heater and flame effect have stopped whilst in operation	Suggests the action of the thermostatic cut out	Ensure the air supply and venting are not restricted. The cut out will automatically reset after being switched off and on at the mains. Allow 15 minutes to cool.
No or poor illumination of pebble bed	Suggests bulb failure	Locate the failed bulb by removing the pebble bed and then replace the bulb.

ENVIRONMENTAL PROTECTION

Waste electrical products should not be disposed of with household waste. Please recycle Where facilities exist. Check with your Local Authority or retailer for recycling advice.

YOUR APPLIANCE IS GUARANTEED FOR ONE YEAR FROM THE DATE OF PURCHASE AGAINST ANY MANUFACTURING DEFECT (BULBS HAVE A LIMITED LIFE-SPAN AND WILL REQUIRE REPLACEMENT EVENTUALLY. THIS IS NOT REGARDED AS A DEFECT). IF YOU ENCOUNTER A PROBLEM, PLEASE CONTACT CUSTOMER SERVICES.

RATING INFORMATION

Voltage: ~220V-240V / 50Hz

Heating Elements: 2000W

Lamp: G9 / 25W / ~240V

IMPORTANT:

The wiring in this mains lead is coloured in accordance with the following code:

European Fires (CE approved)

EARTH: GREEN and YELLOW

NEUTRAL: BLUE

LIVE: BROWN

Replacement fuse must conform to British Standards and be rated at 13A.



