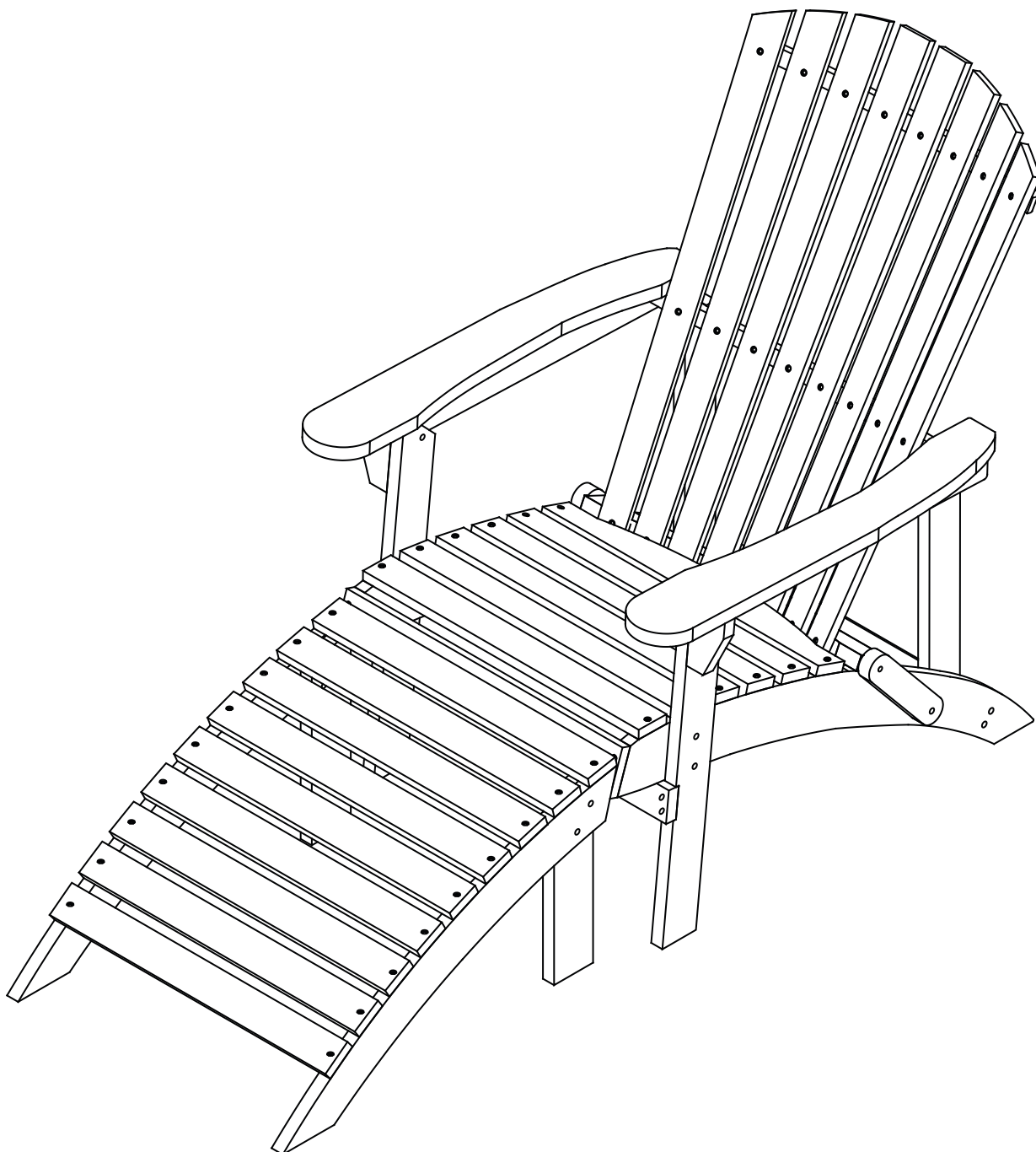


next

ALABAMA CHAIR  
938365 and 837694  
Assembly instructions

**Actual product size**  
L145 x W68 x H89.3 cm



**IMPORTANT - RETAIN FOR FUTURE REFERENCE**

# BEFORE YOU START

## Warnings

**Important:** Retain these instructions for future reference.

Unwrap all packaging materials and place the components on top of the carton box or on a clean floor to prevent it from scratching.

This product should only be used on firm, level ground.

Keep small parts out of reach of children.

## Do's

We suggest you spend a short time reading through this leaflet before you start.

When you are ready to start, make sure that you have the right tools, plenty of space and a clean, dry area for assembly.

Check the pack and make sure you have all the parts listed.

During assembly children should be kept away from the product due to possible risk of injury.

Due to the size of this product we recommend that it is assembled in the area intended for use.

Ensure that this product is fully assembled as illustrated before use.

Make sure the legs remain in contact with the ground.

Check all screws or bolts are tightened and inspect regularly.

To clean wipe with a sponge and warm soapy water. Do not use solvent based cleaners or detergents as they can bleach or damage the product.

## Dont's

Do not use power tools to construct this product.

Do not tighten screws until fully assembled.

Do not overtighten screws or bolts.

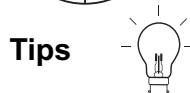
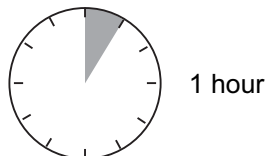
Do not use this product if parts are missing, damaged or worn.

Never use scourers, abrasives or chemical cleaners.

## Number of people required to assemble

One person to assemble the unit and two person to lift the unit into position.

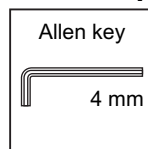
## Time to assemble



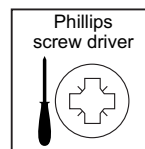
## Tips

Look out for the symbol throughout this manual. Wherever you see it we will have a handy tip to help you with assembly of your product.

## Tools required



Supplied



Not supplied

## Missing parts

If you are missing any fixtures and fittings for your product please contact our customer service team on **0 333 777 8999** and they will be happy to arrange for a replacement to be sent to you free of charge.

## Home service technicians

If you have a fault with your product please contact our customer service team on **0 333 777 8999**. If you have had the product for 28 days or less you may be offered a replacement, refund or for a fully trained home service technician to visit your home to assess the fault and repair the product where possible. If you have had the product for more than 28 days we will send an independent home service technician to review and repair the product where possible and recommend further action.

## You can write to us at

Next Retail Ltd,  
Desford Road,  
Leicester,  
LE19 4AT

To view our full furniture range please visit [www.next.co.uk](http://www.next.co.uk)

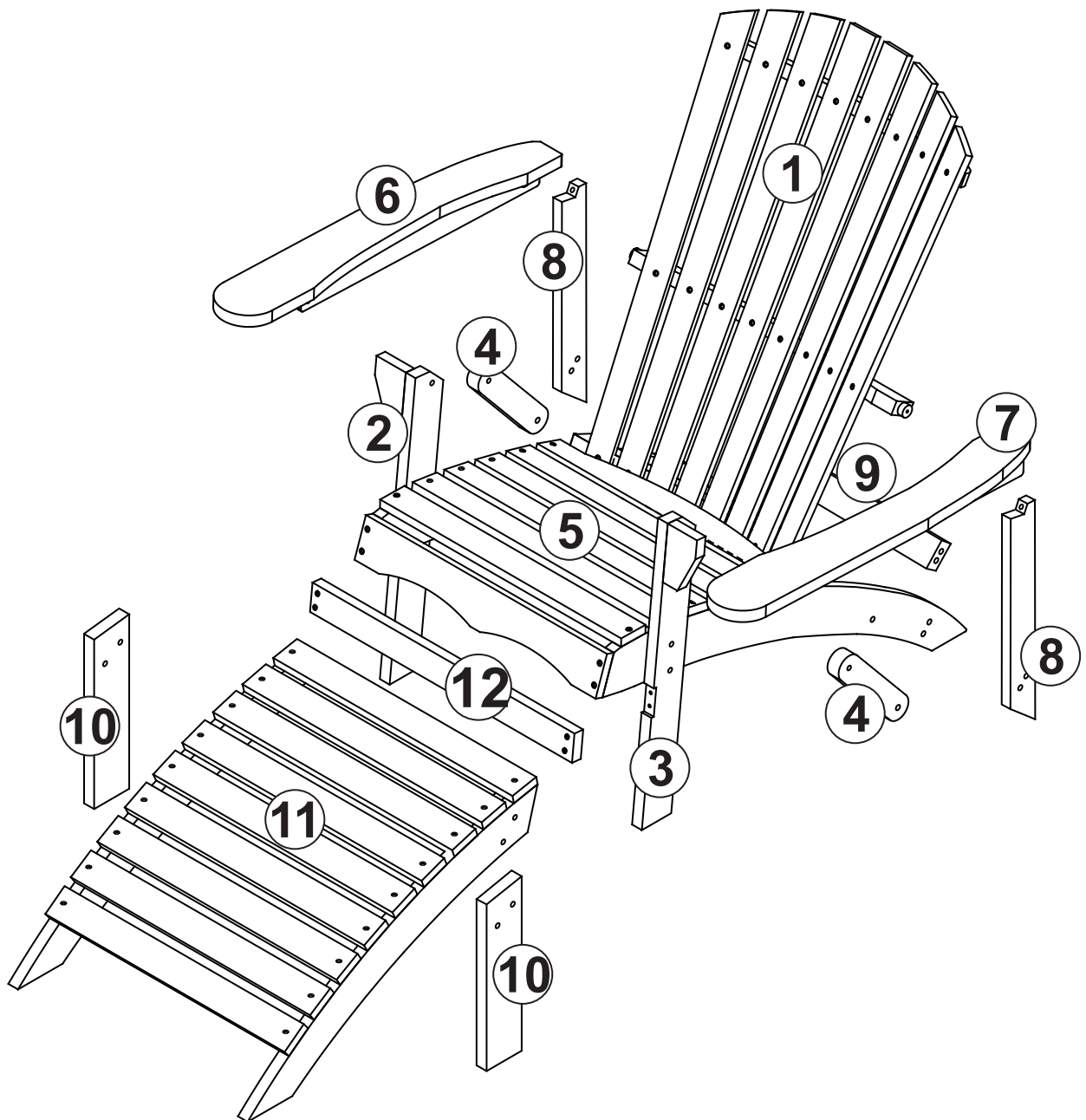
## General care and maintenance for Oil finished products

Dirty surfaces may be cleaned with a lint free cloth dampened with furniture oil. The surface may appear to become rough and dry over time – this is normal and can easily be treated by lightly sanding the surface using fine sandpaper (i.e. no. 320 grit sand paper) in the direction of the grain. This procedure must always be followed by re-oiling of the wood.

## Full re-oiling the product

It is recommended to fully re-oil 1-2 times a year using outdoor furniture oil (e.g. linseed oil). Firstly carry out the sanding process as described above and then dampen a lint free cloth with the furniture oil and rub into the wood in the direction of the grain (always trial on an unseen face first to ensure the colour is acceptable). Several coats may be applied to the surface to increase the quality of finish and give more protection to the timber.

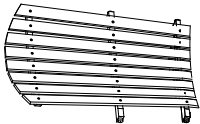
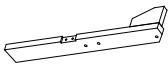
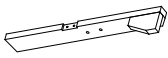
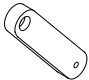
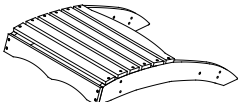



## GETTING TO KNOW YOUR PRODUCT



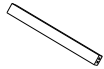

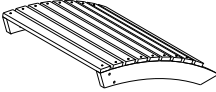
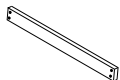
# CUSTOMER HELPLINE

If you have any problem with this product or require any replacement fittings please contact customer services **0 333 777 8999**






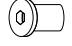

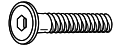
## Components supplied

Ref	Dimensions	Visual	Qty
1	51.5 x 78 cm		1
2	6 x 53 cm		1
3	6 x 53 cm		1
4	4 x 18.5 cm		2
5	49.5 x 80.5 cm		1
6	10 x 65 cm		1
7	10 x 65 cm		1
8	5.5 x 44 cm		2

## Components supplied

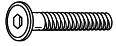
Ref	Dimensions	Visual	Qty
9	4 x 45.9 cm		1
10	7 x 31.4 cm		2
11	49.5 x 69 cm		1
12	5 x 54 cm		1

## Fixtures and fittings supplied

Ref	Dimensions	Visual	Qty
A	8 x 35 mm		12
B	6 x 35 mm		2
C	7 x 50 mm		4
D	4 x 30 mm		8
E	8 x 22 mm		16
F	8 x 15 mm		16
G	4 mm		2
H	8 x 30 mm		4

1

A x 6



8 x 35 mm

C x 2



7 x 50 mm

E x 6



8 x 22 mm

F x 6

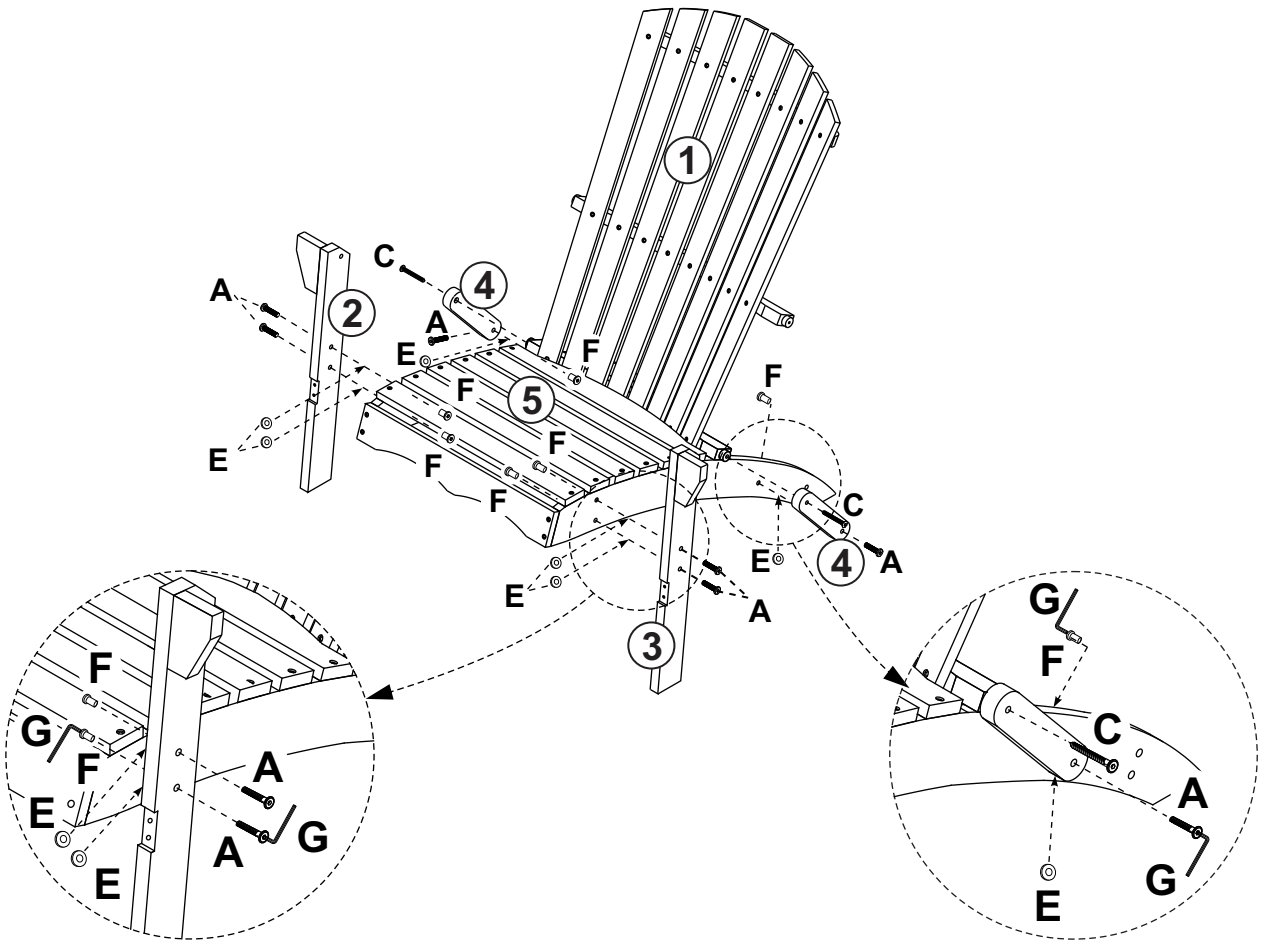


8 x 15 mm

G x 2

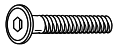


4 mm



2

A x 2



8 x 35 mm

C x 2



7 x 50 mm

D x 4



4 x 30 mm

E x 2



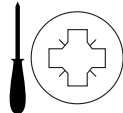
8 x 22 mm

F x 2



8 x 15 mm

Phillips screw driver

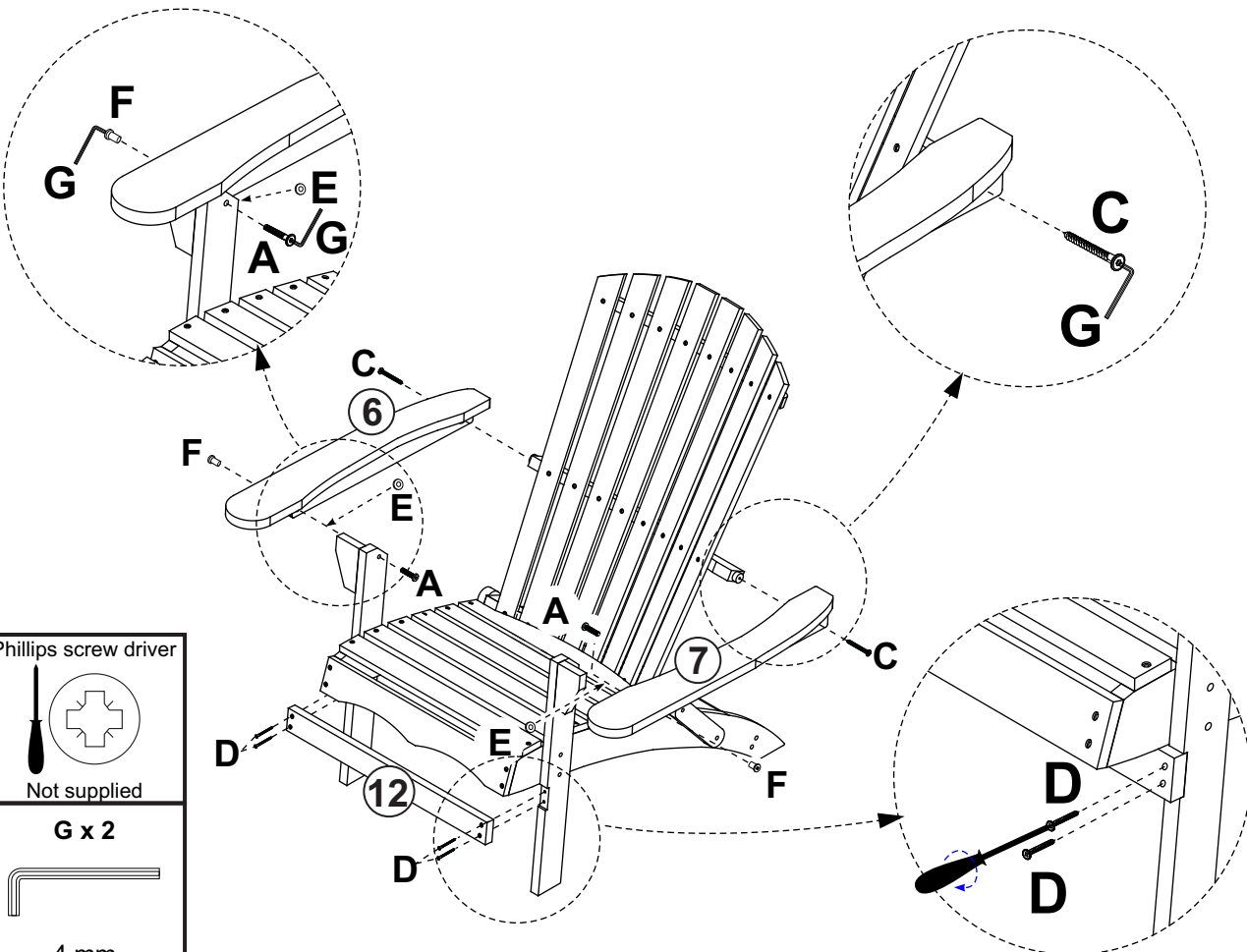


Not supplied

G x 2



4 mm



3

A x 4



8 x 35 mm

B x 2



6 x 35 mm

D x 4



4 x 30 mm

E x 4



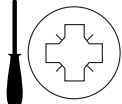
8 x 22 mm

F x 4



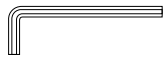
8 x 15 mm

Phillips screw driver

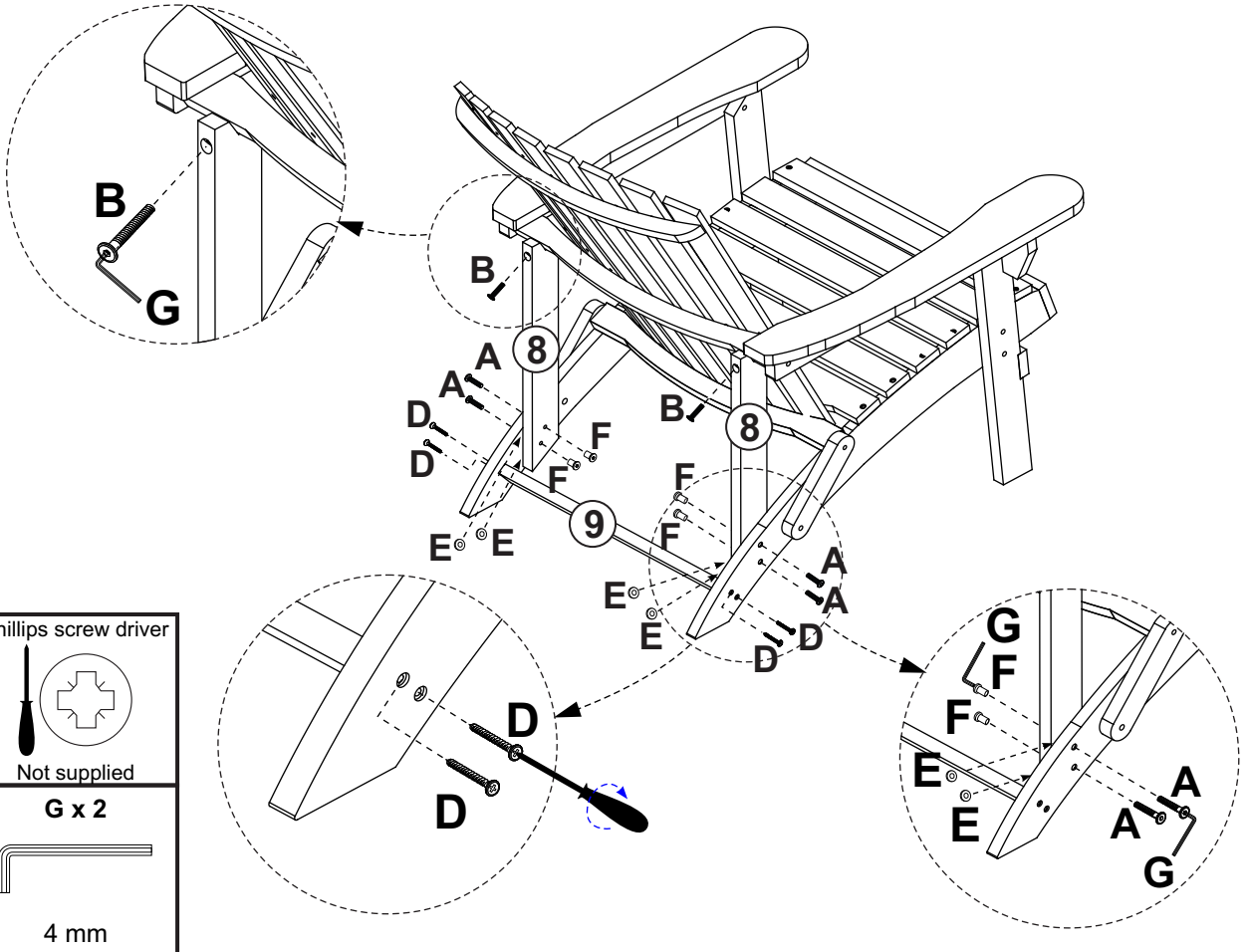


Not supplied

G x 2



4 mm



4

H x 4



8 x 30 mm

E x 4



8 x 22 mm

F x 4

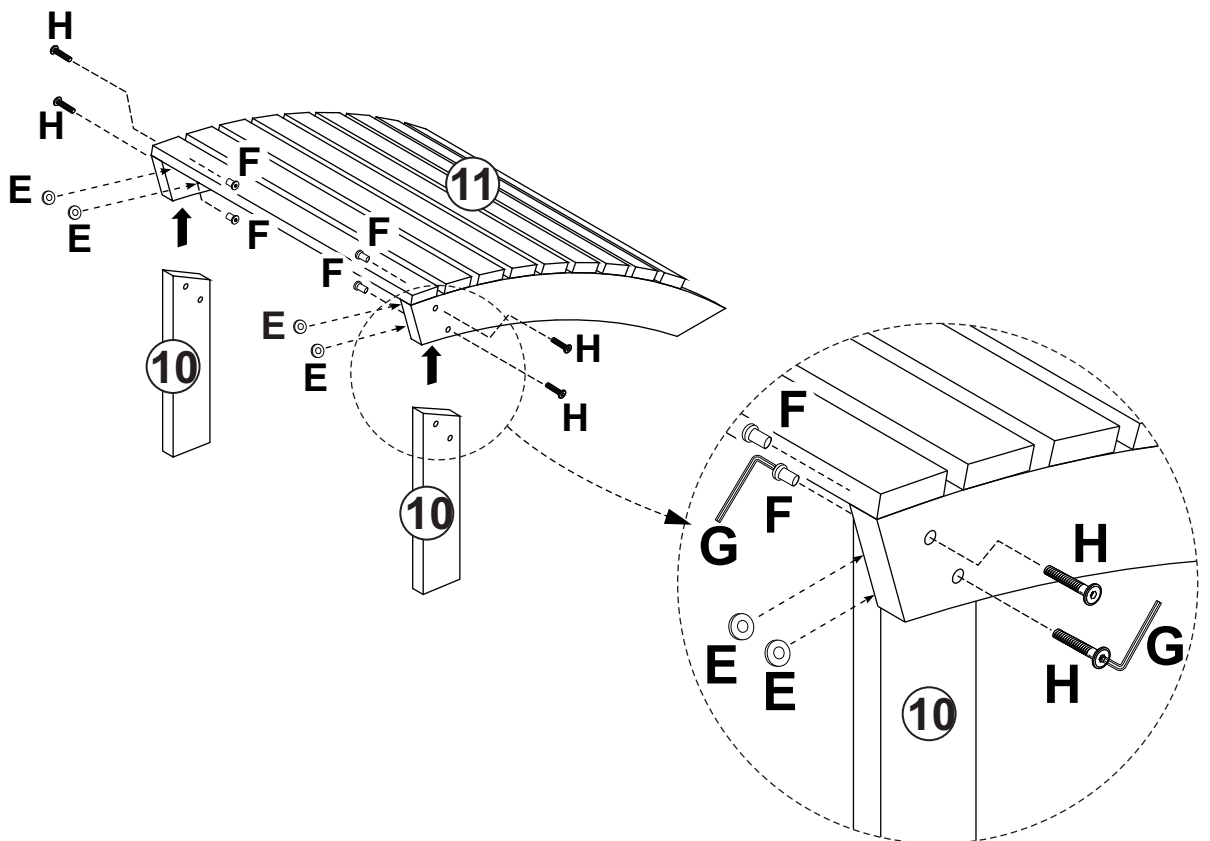


8 x 15 mm

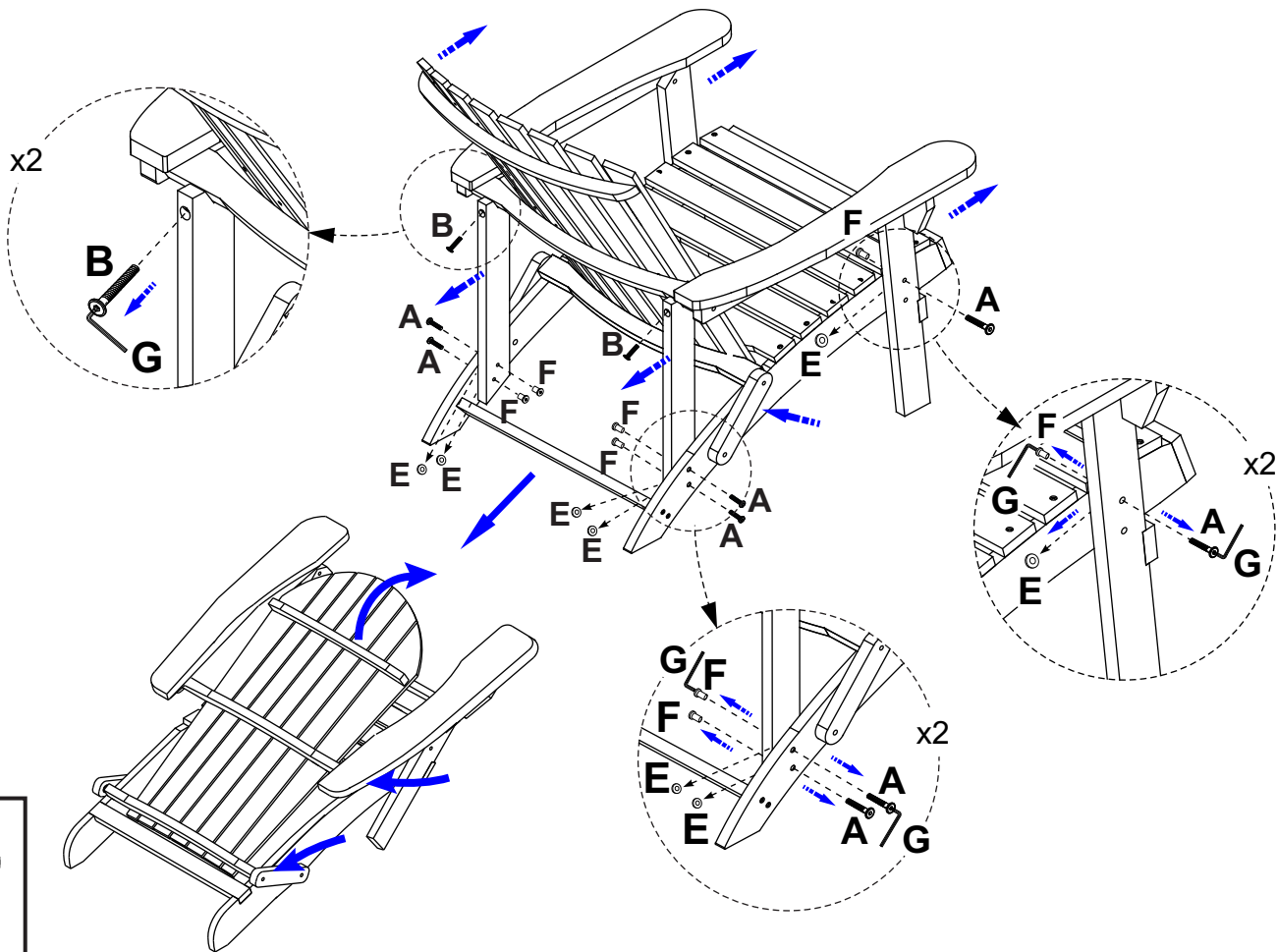
G x 2



4 mm



5



6



Note: Keep the removed parts and hardware for future use.

