

next

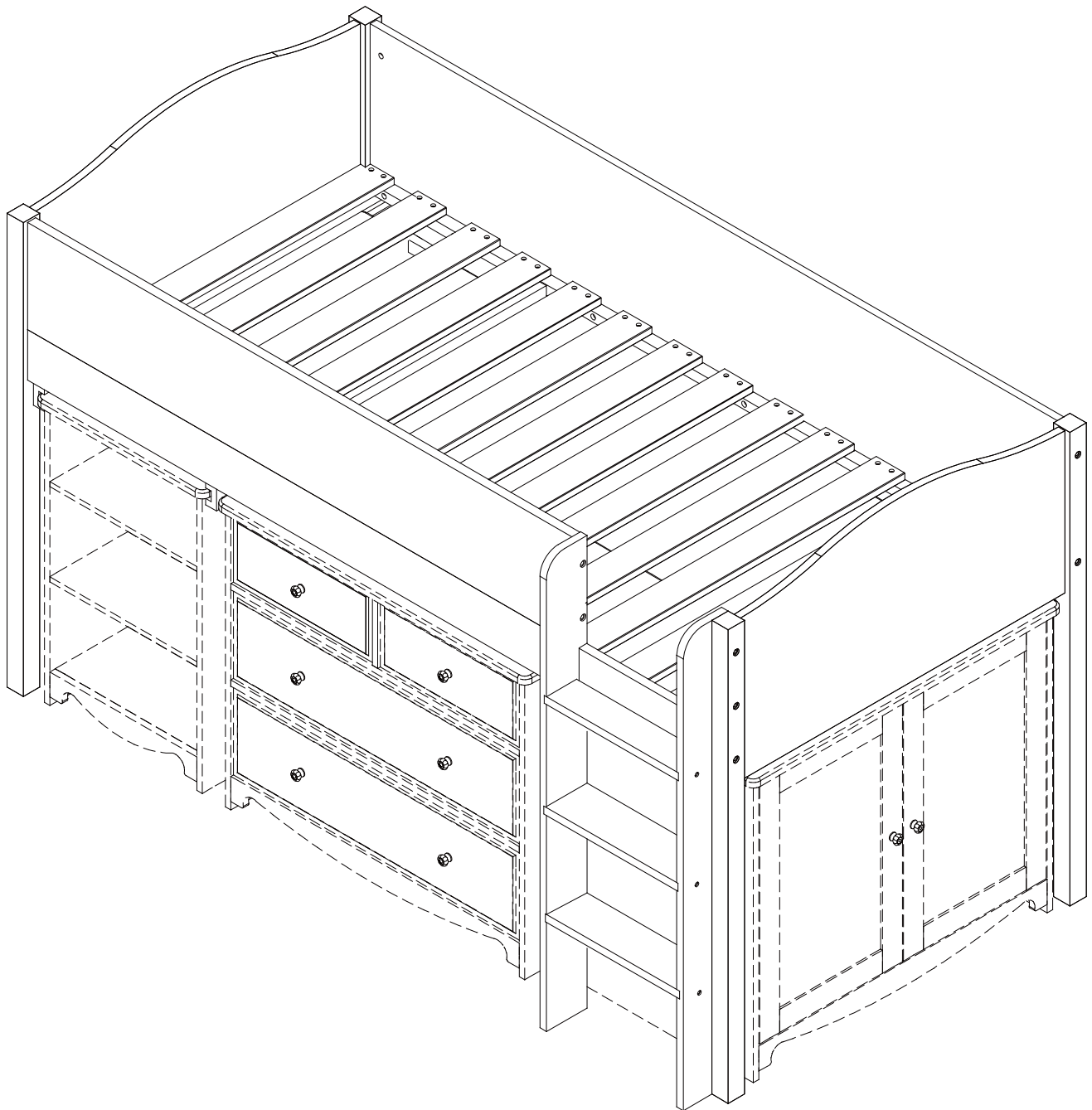
# ELLA CABIN STATION - BED

847613

Assembly instructions

**Actual product size**

H120 x W199 x D107cm



**IMPORTANT - RETAIN FOR  
FUTURE REFERENCE - READ  
CAREFULLY**

**Need Help?**

With: Assembly instructions  
Missing or damaged parts

**CALL: 0333 777 8999**

## BEFORE YOU START

### This child's bed conforms to BS EN 747:2012

#### WARNINGS

Routinely check that the upper safety rail and ladder attachment is secure and tighten any fittings using the appropriate tools.

All assembly fittings shall always be tightened properly. Screws shall not be loose because a child can squeeze parts of the body, or clothing (e.g. strings, necklaces, ribbons for babies, dummies, etc.) could get caught. There would be danger of strangulation.

**WARNING:** Children can become trapped between the bed and the wall. To avoid risk of serious injury the distance between the top safety barrier and the wall shall not exceed 75mm or shall be more than 230mm.

**WARNING:** Do not use this child's bed if any part is broken, torn or missing.

**WARNING:** High beds and the upper bed of bunk beds are not suitable for children under six years due to risk of injury from falls.

Do not leave items such as ropes, strings, cords, harnesses and belts attached to or hung to the bunk/high bed due to the risk of strangulation.

Children are likely to play, bounce, jump and climb on beds, therefore the child's bed should not be placed too close to other furniture or windows, and should be placed either tight to any wall or have a gap of 300mm between the wall and the side of the bed

#### Do's

When you are ready to start, make sure that you have the right tools and plenty of space.

Due to the size of the product we recommend that it is assembled in the room intended for use.

Unwrap all packaging materials and place the components on a clean surface to protect it from damage.

We recommend that the packaging is used to protect the surfaces during assembly.

Carefully check that you have all the parts before beginning assembly.

To clean your item, wipe with a soft cloth slightly dampened with water. Then buff with a dry clean cloth.

This bed is designed to be used with a mattress with the following dimensions H?? x W90 x D190cm.

Please ensure that the mattress depth does not go past the permanent mark on the post/Upper Safety Barrier.

Please periodically check all fittings and re-tighten as necessary.

#### Don'ts

Do not drag or pull your furniture.

Do not use silicone based furniture polish. Silicone in furniture polishes can break down the finish.

Do not stand or jump on this product.

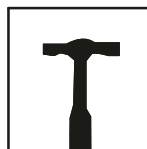
#### Number of people required to assemble

Three persons are required to assemble this item.

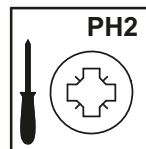
#### Time to assemble



#### Tools required



not supplied



not supplied

#### Missing parts

If you are missing any fixtures and fittings for your product please contact our customer service team on 0333 777 8999 and they will be happy to arrange for a replacement to be sent to you free of charge.

#### Home service technicians

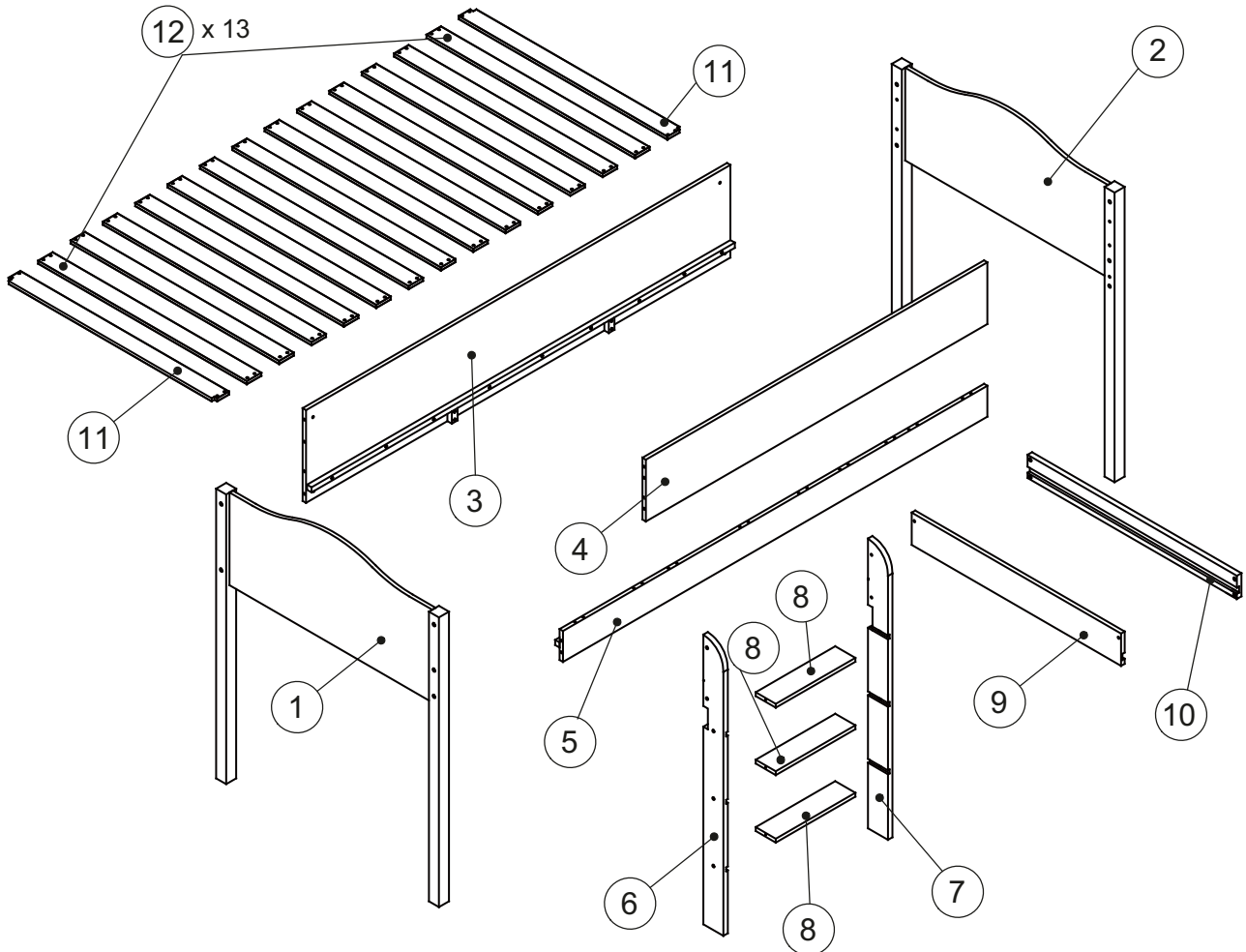
If you have a fault with your product please contact our customer service team on 0333 777 8999. If you have had the product for 28 days or less you may be offered a replacement, refund or for a fully trained home service technician to visit your home to assess the fault and repair the product where possible. If you have had the product for more than 28 days we will send an independant home service technician to review and repair the product where possible and recommend further action.

#### You can write to us at

Home Customer Services  
Next Retail Ltd,  
Desford Road,  
Leicester,  
LE19 4AT

To View our full furniture range please visit [www.next.co.uk](http://www.next.co.uk)

GETTING TO KNOW YOUR PRODUCT



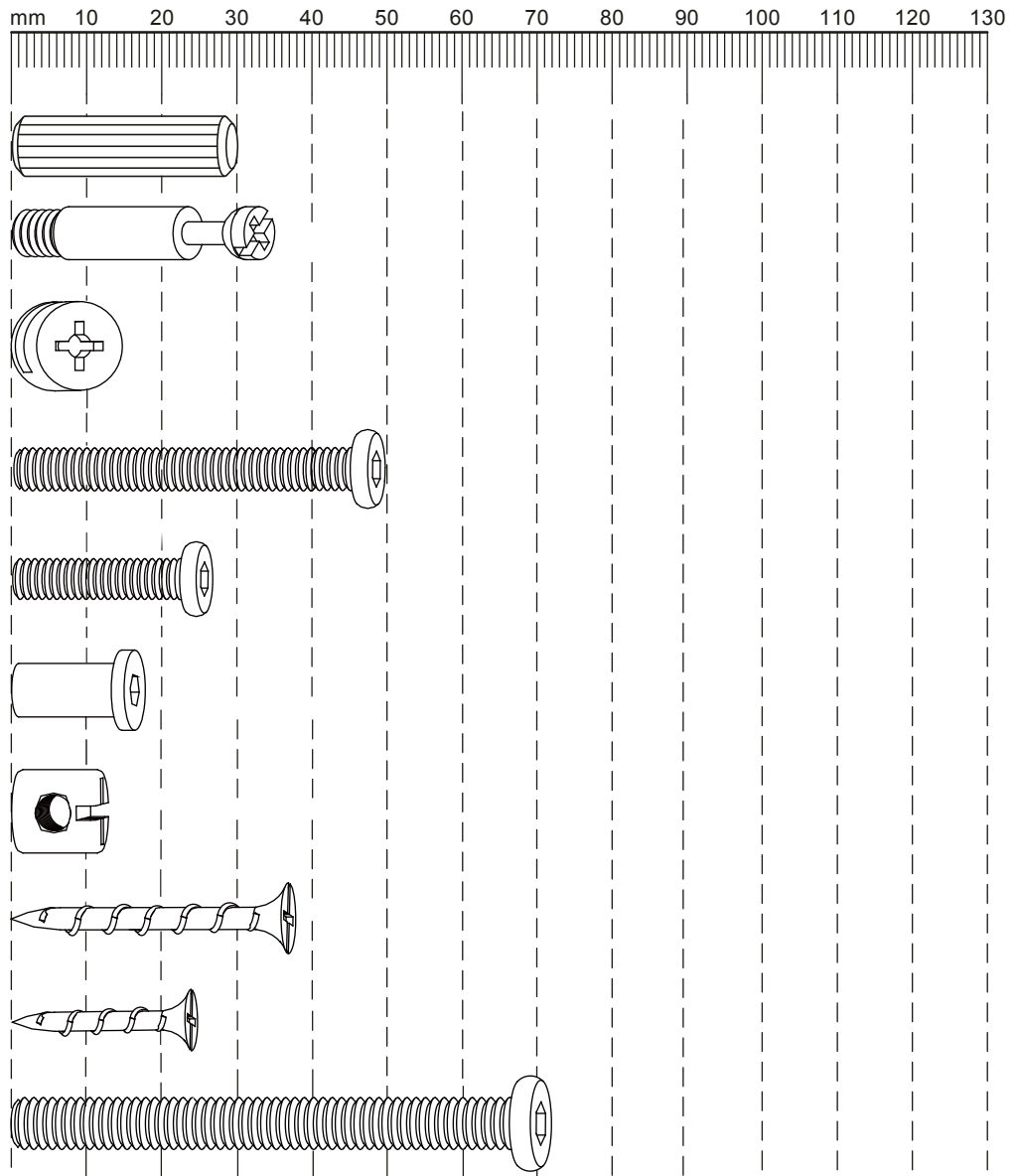
Components supplied. Please use this guide if you require replacement parts.

Ref	Dimensions	Visual	Qty
1	124.5 x 100cm		1
2	124.5 x 100cm		1
3	191 x 41cm		1
4	153.5 x 29cm		1
5	191 x 12cm		1


Ref	Dimensions	Visual	Qty
6	118.5 x 9cm		1
7	118.5 x 9cm		1
8	34.5 x 6.8cm		3
9	94.5 x 12.5cm		1
10	94.5 x 8cm		1
11	92.8 x 7cm		2
12	92.8 x 7cm		13

Fixtures and fittings supplied (actual size)

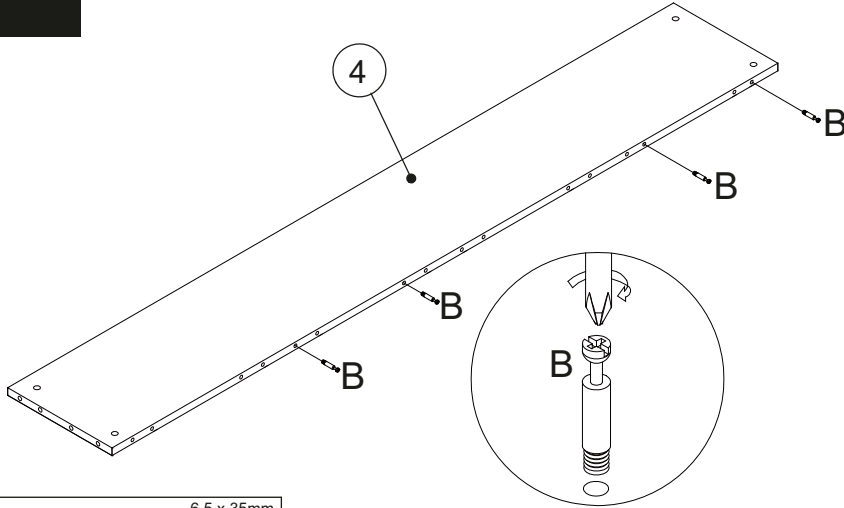
Ref	Dimensions	Qty
A	8 x 30mm	14
B	6.5 x 35mm	4
C	15 x 9mm	4
D	6 x 50mm	4
E	6 x 27mm	6
F	8 x 18mm	2
G	9.5 x 13mm	10
H	4 x 38mm	6
I	4 x 25mm	60
J	6 x 72mm	8



Fixtures and fittings supplied (not to scale)

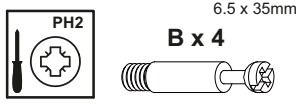
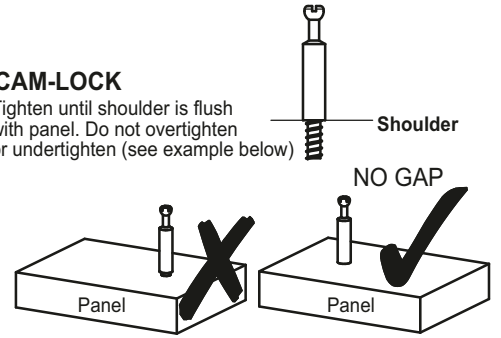
Ref	Dimensions	Visual	Qty
K	N/A		1

1



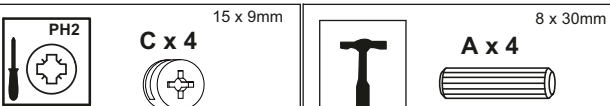
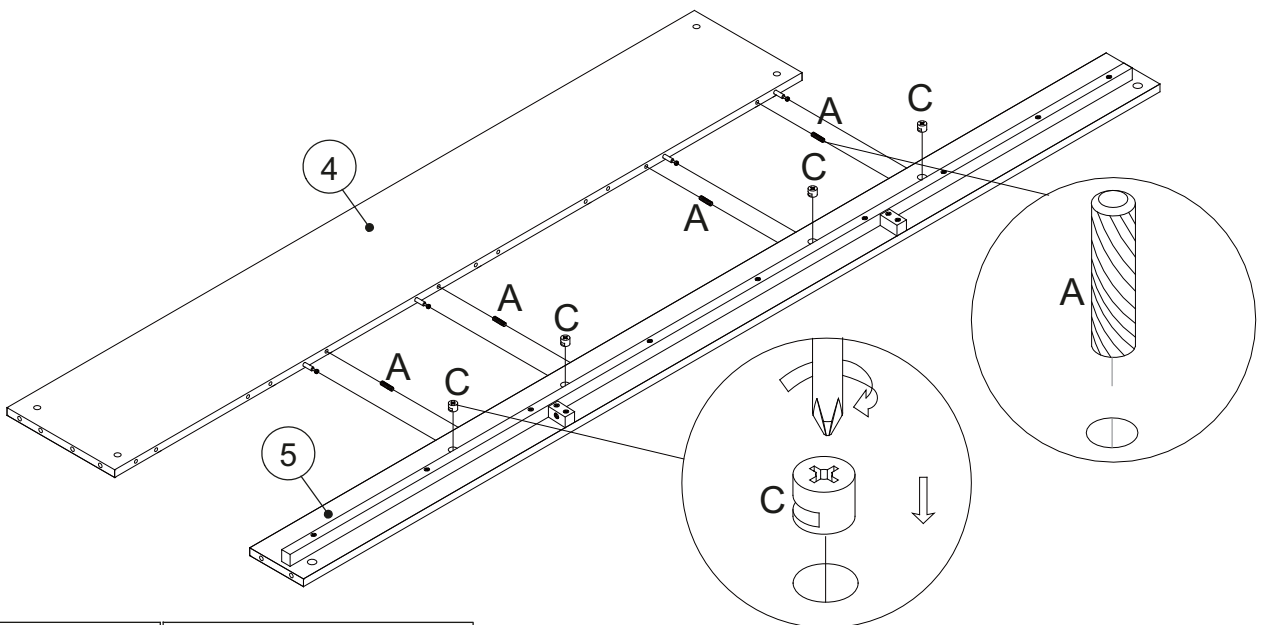
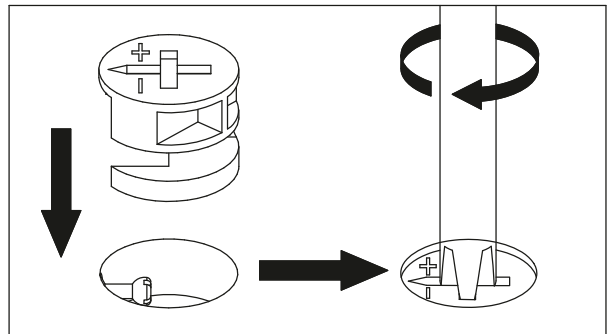
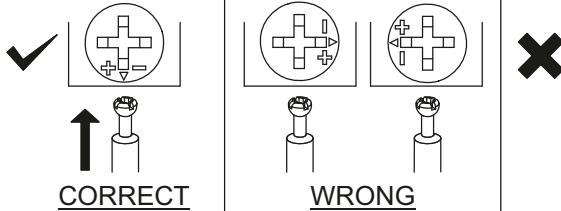
### CAM-LOCK

Tighten until shoulder is flush with panel. Do not overtighten or undertighten (see example below)

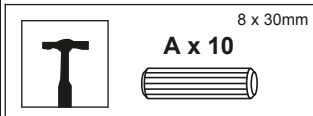
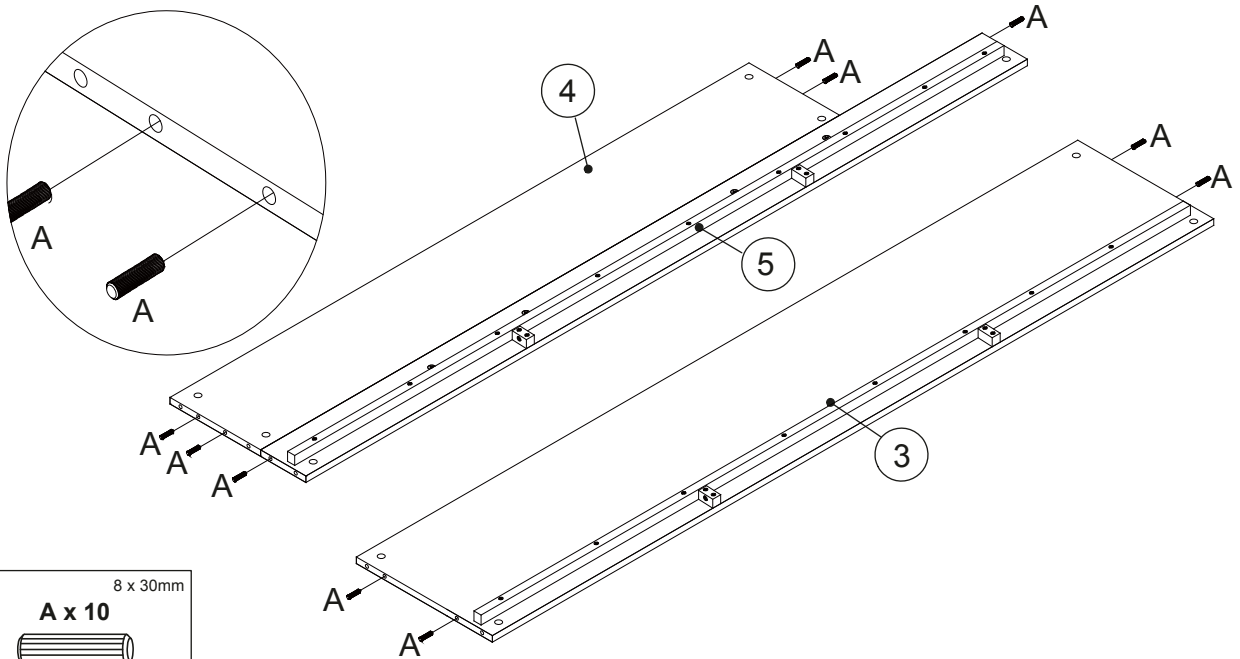


2

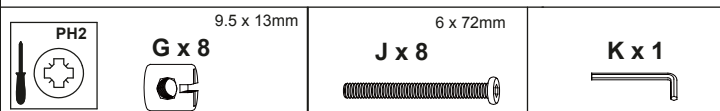
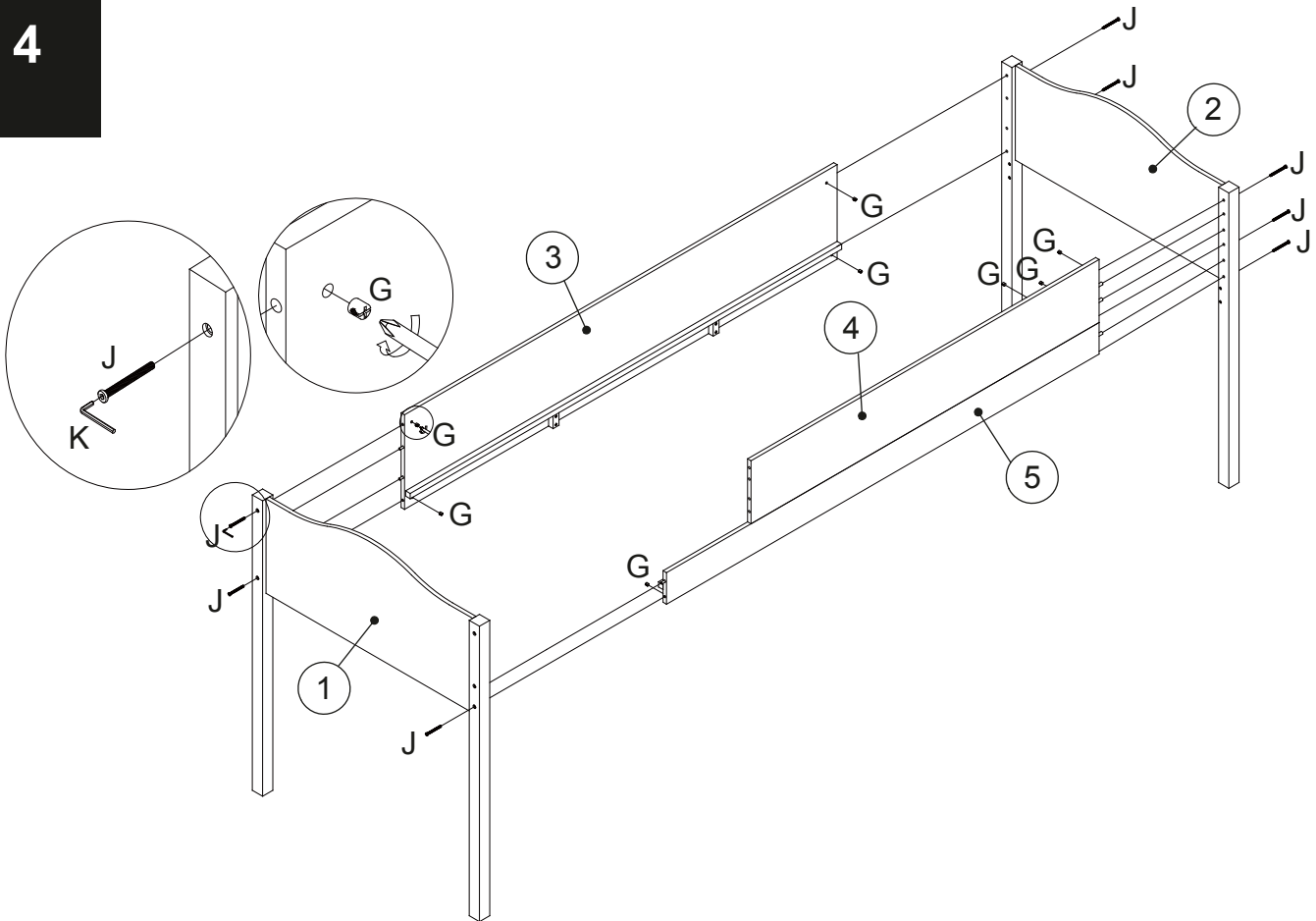
**WHEN FITTING CAMS**  
ENSURE STARTING POSITION IS CORRECT  
BEFORE YOU INSERT CONNECTING CAM-PILLAR  
TURN CLOCKWISE UNTIL SECURE



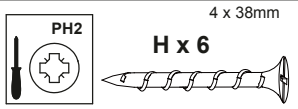
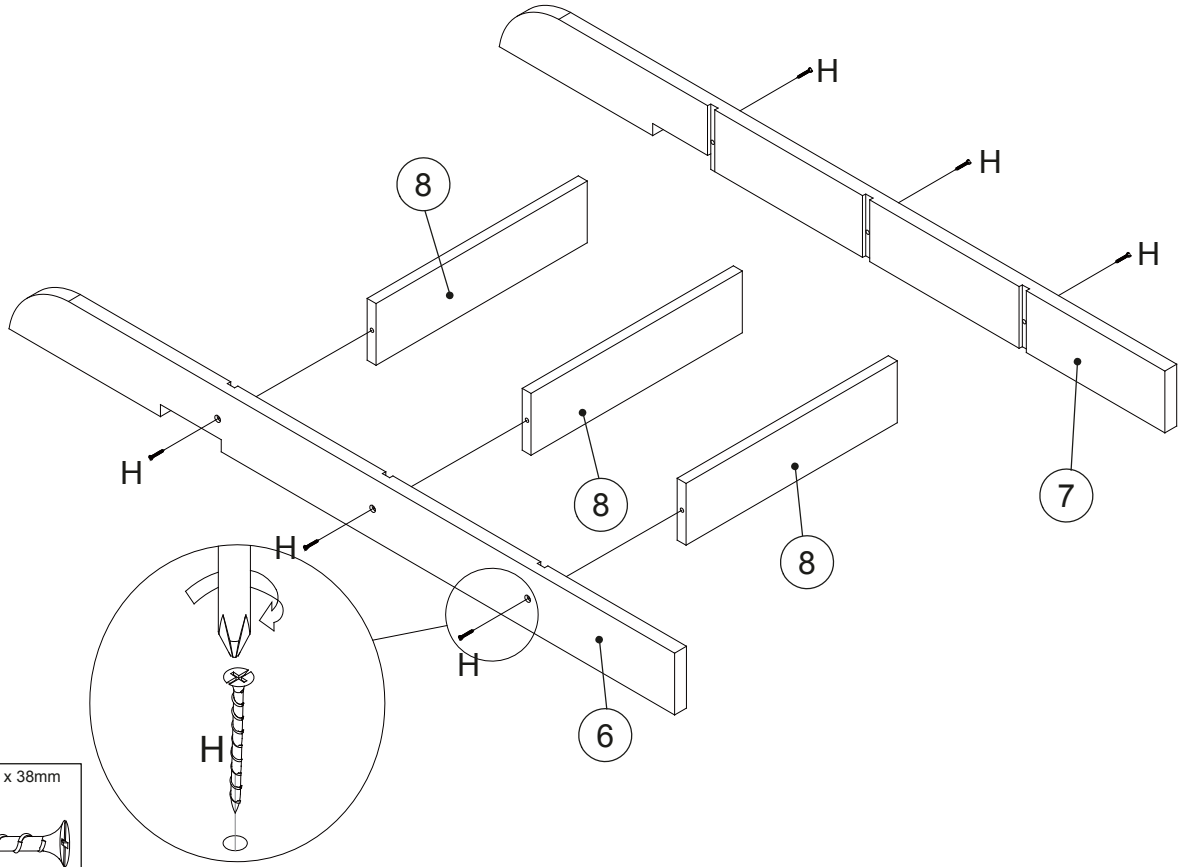
3



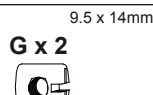
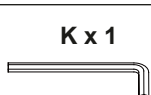
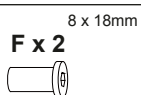
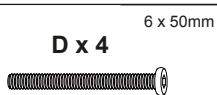
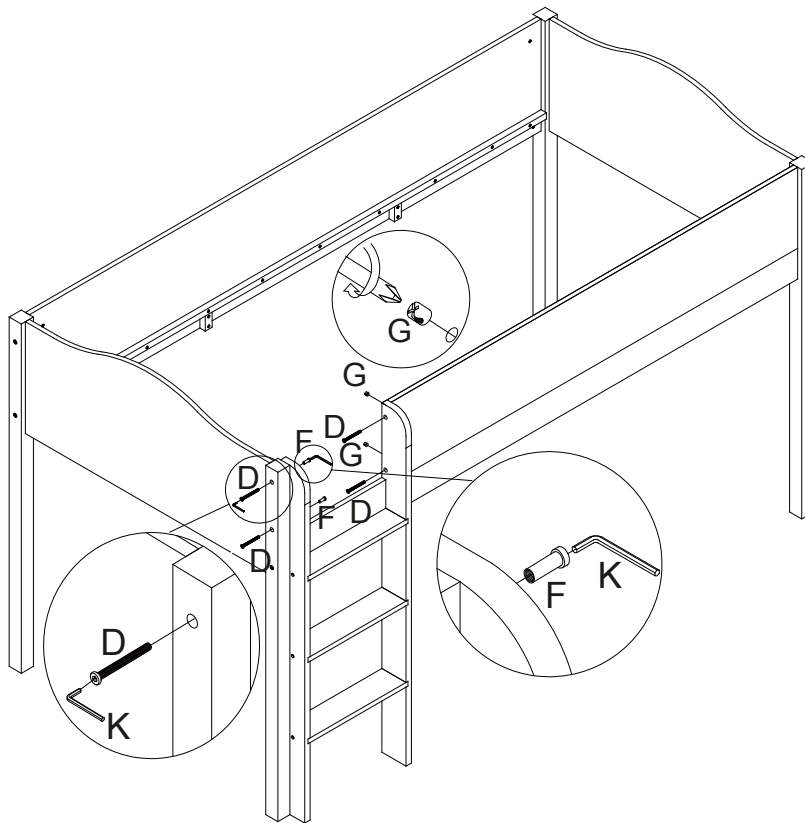
4



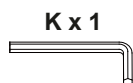
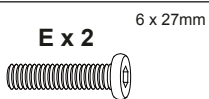
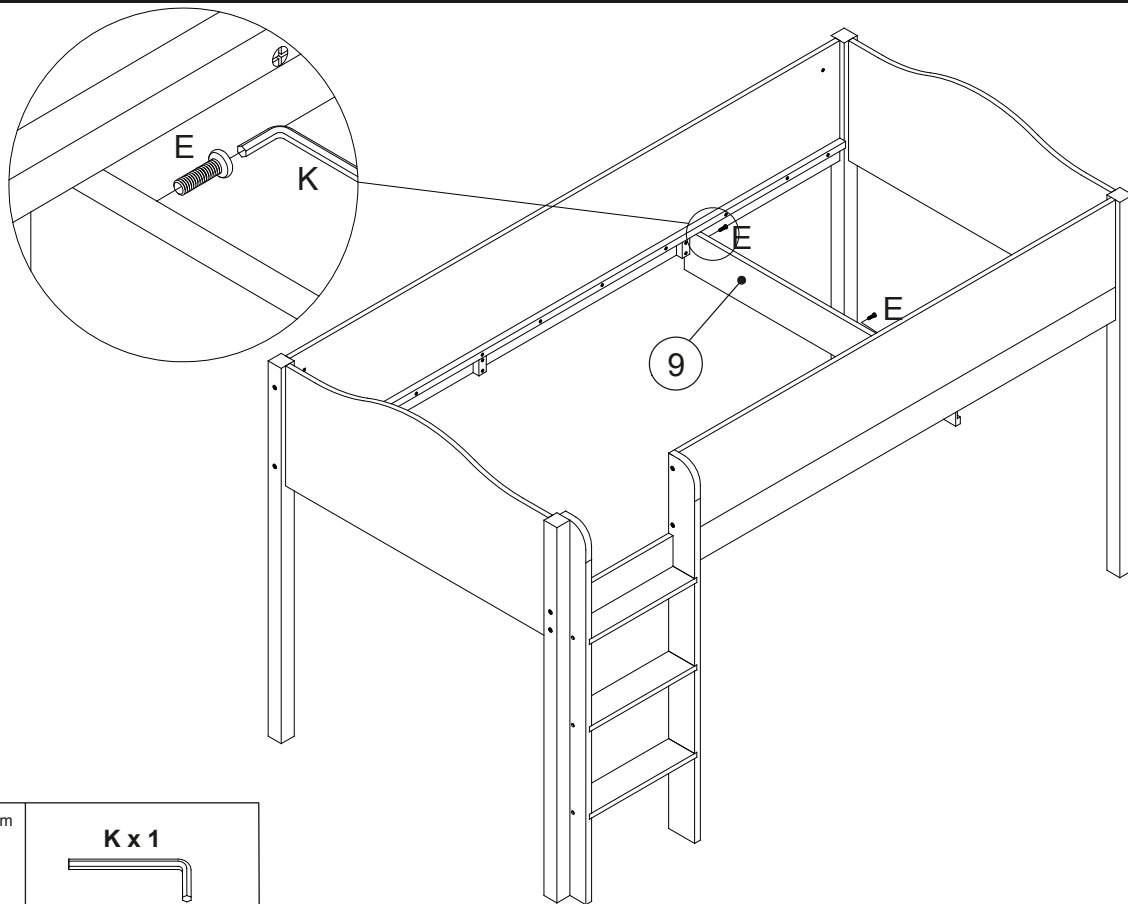
5



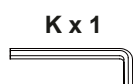
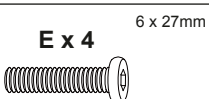
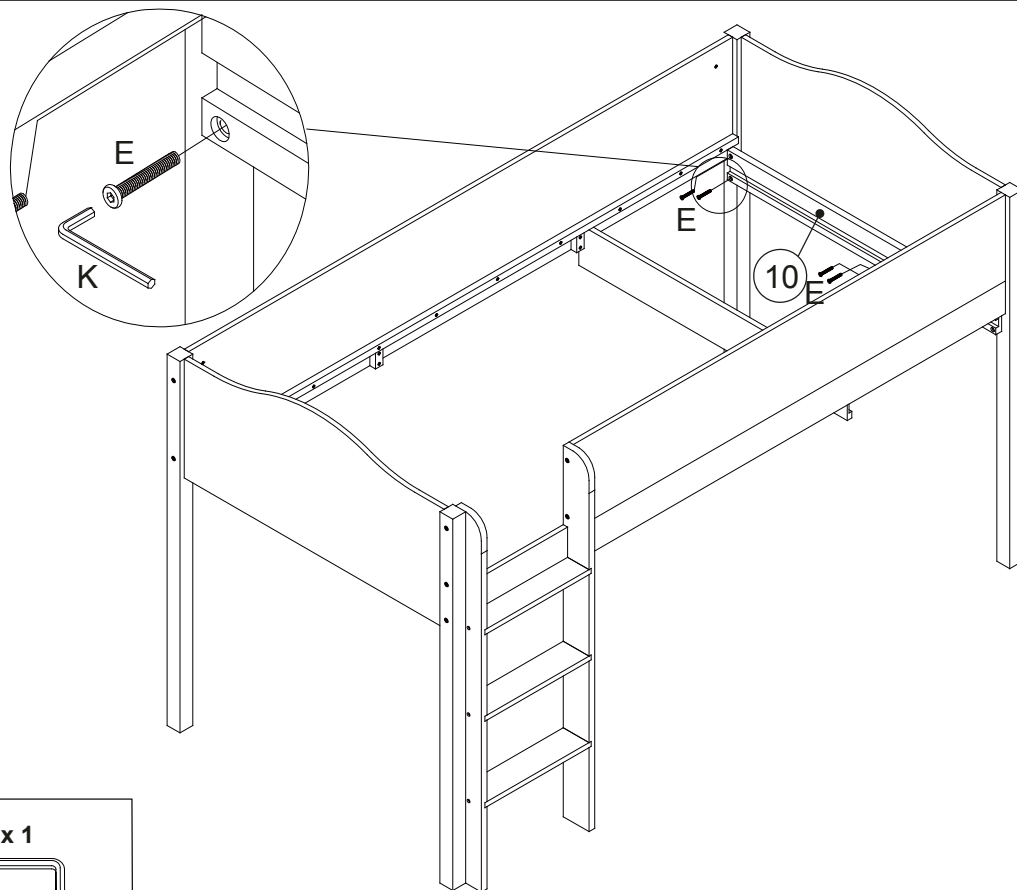
6



7

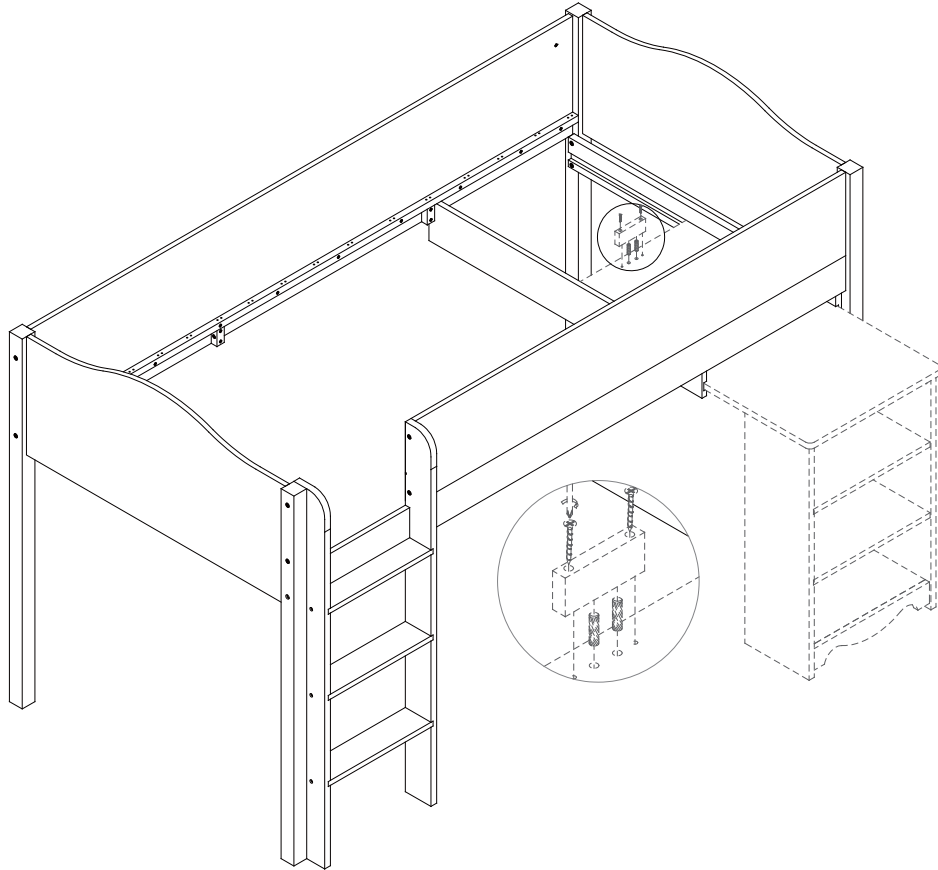


8



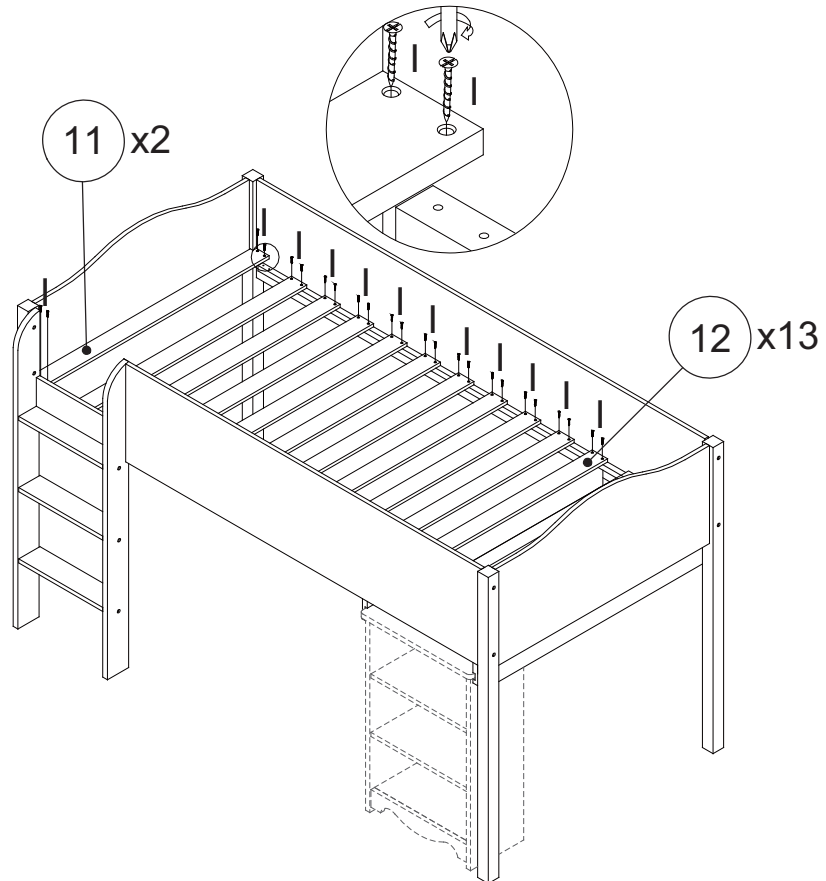


9



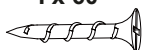
not supplied

10

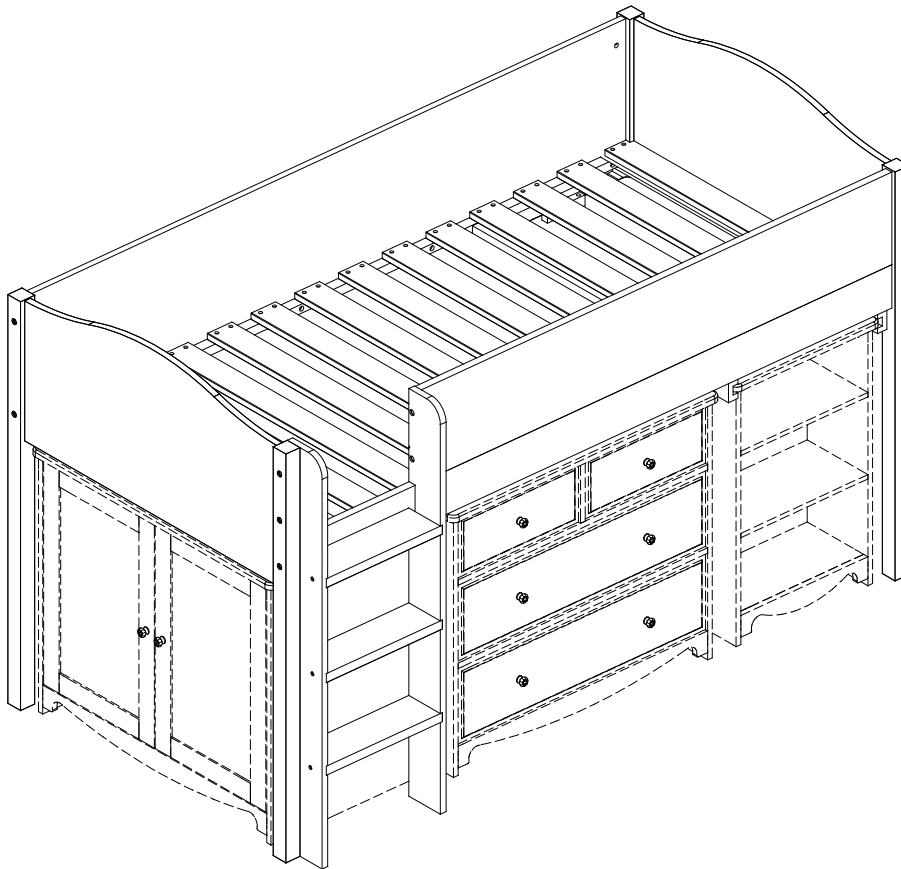


4 x 25mm

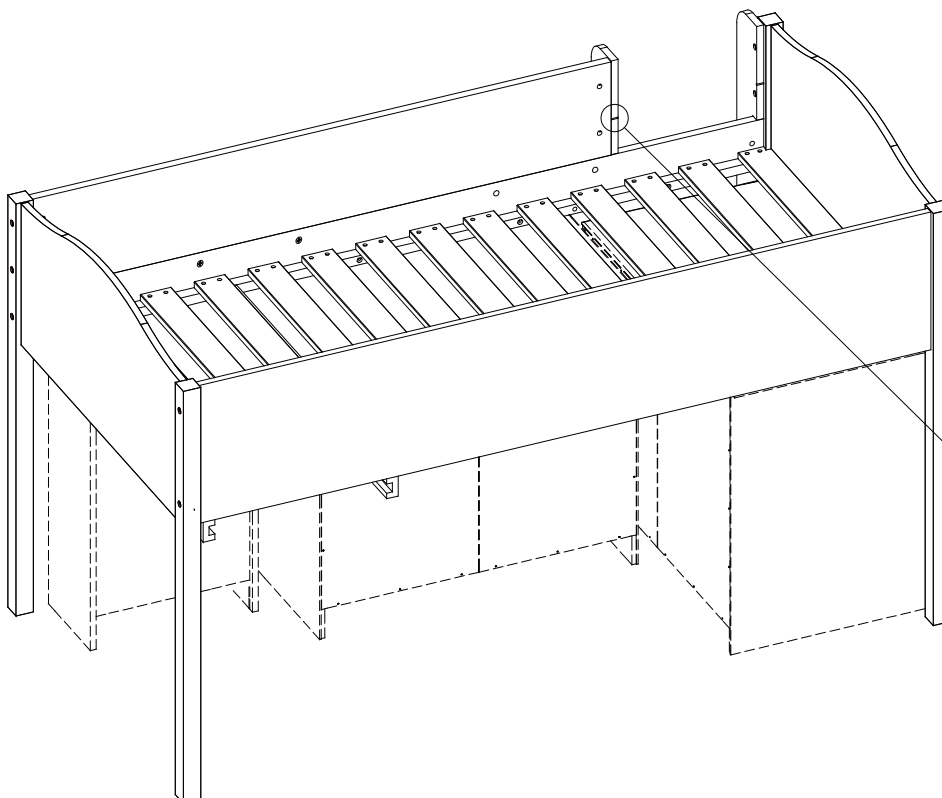
1 x 60



11



12



**Mattress height do not exceed this line**