

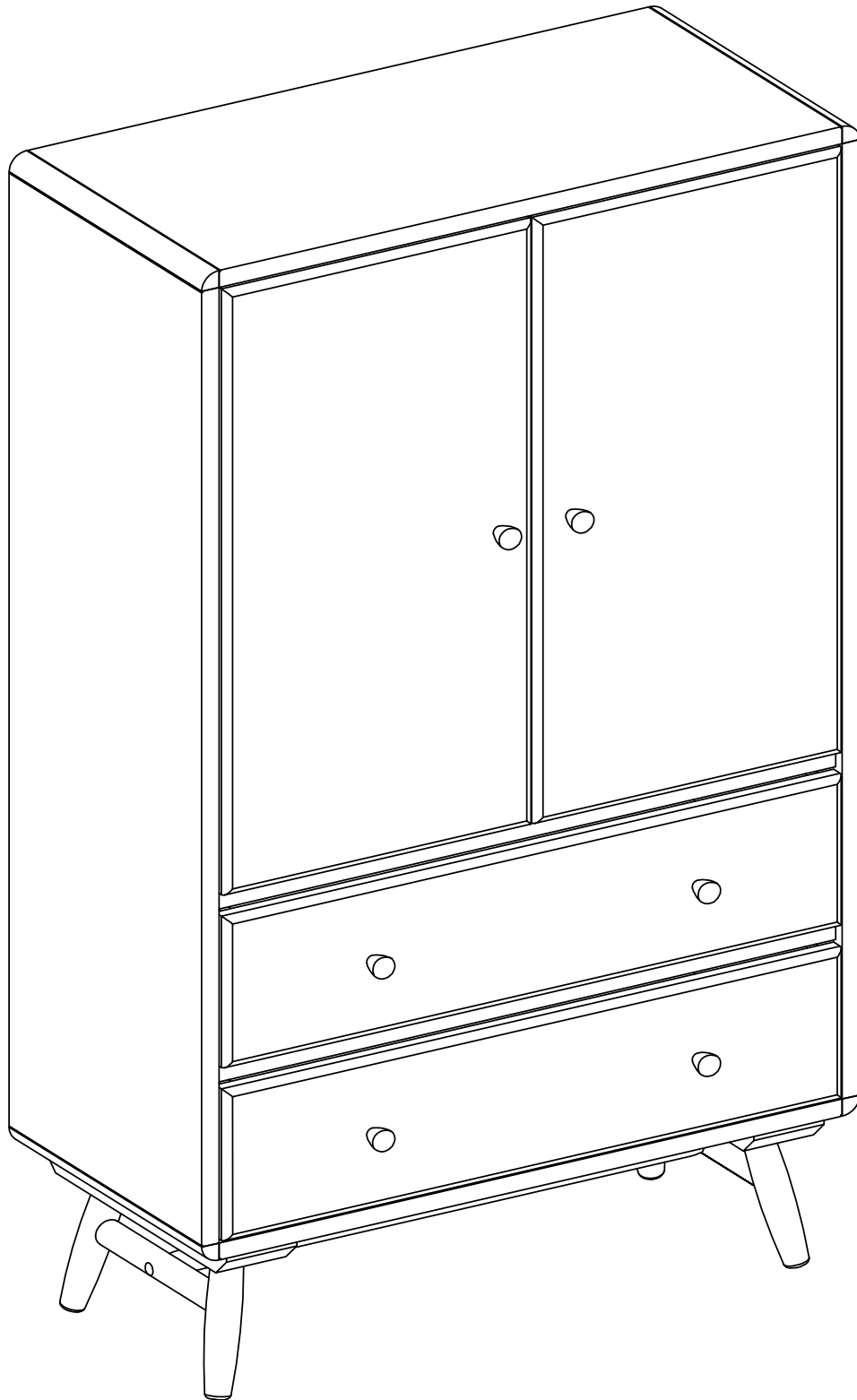
**next**

# JARVIS CABINET

848532

Assembly instructions

**Actual product size**  
H135 x W75 x D36cm



**Need Help?**

With: Assembly instructions  
Missing or damaged parts

**CALL: 0333 777 8999**

**IMPORTANT – RETAIN FOR FUTURE REFERENCE**

## BEFORE YOU START

### Warnings

We suggest you retain these instructions for future reference.

Keep fittings out of children's reach and keep children well away from the construction area.

This product should only be used on firm, level ground.

Please periodically check all fittings and re-tighten as necessary.

Please do not sit or stand on your furniture.

Avoid exposing the furniture to excessive heat or direct sunlight as this can cause deterioration of the colour.

### Do's

We suggest you spend a short time reading through this leaflet before you start.

When you are ready to start, make sure that you have the right tools and plenty of space.

Unwrap all packaging materials and place the components on a clean surface to protect them from damage.

We recommend that the packaging is used to protect the surfaces during assembly.

Carefully check that you have all the parts before beginning assembly.

Due to the size of the product we recommend that it is assembled in the room intended for use.

Ensure the product is fully assembled as illustrated and all fixings are fully tightened before use.

Wipe occasionally with a soft cloth slightly dampened with water. Then buff with a dry clean soft cloth.

Wood will mellow and change colour over time, we recommend that ornaments and items placed on the surface are moved regularly for the first few months to prevent uneven mellowing.

### Don'ts

Do not drag or pull your furniture.

Do not use silicone based furniture polish. Silicone in furniture polishes can break down the finish.

Never allow any kind of liquid to remain on your furniture. Absorption can cause wood to warp or finishes to de-laminate.

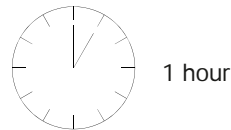
Do not place hot items (e.g. hot drinks) directly on to the wood surface. Please make sure you use a placement or coaster.

**Product supplied with wall fixing straps.**

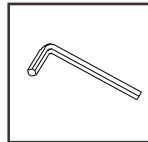
### Number of people required to assemble

One person are required to assemble this item.

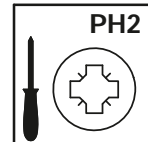
### Time to assemble



### Tools required



supplied



not supplied

### Missing parts

If you are missing any fixtures and fittings for your product please contact our customer service team on 0333 777 8999 and they will be happy to arrange for a replacement to be sent to you free of charge.

### Home service technicians

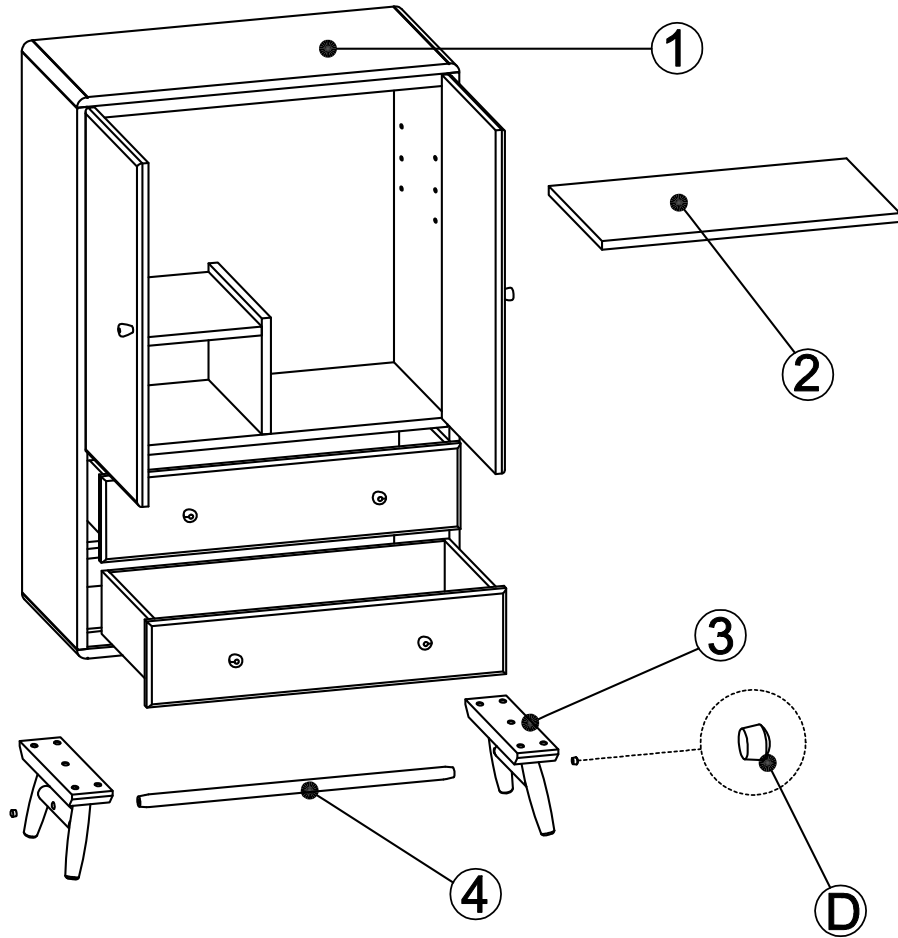
If you have a fault with your product please contact our customer service team on 0333 777 8999. If you have had the product for 28 days or less you may be offered a replacement, refund or for a fully trained home service technician to visit your home to assess the fault and repair the product where possible. If you have had the product for more than 28 days we will send an independant home service technician to review and repair the product where possible and recommend further action.

### You can write to us at

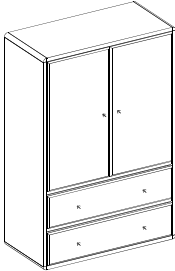


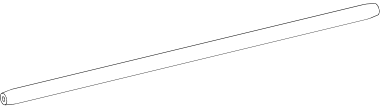
Home Customer Services  
Next Retail Ltd,  
Desford Road,  
Leicester,  
LE19 4AT

**To View our full furniture range please visit [www.next.co.uk](http://www.next.co.uk)**

## GETTING TO KNOW YOUR PRODUCT

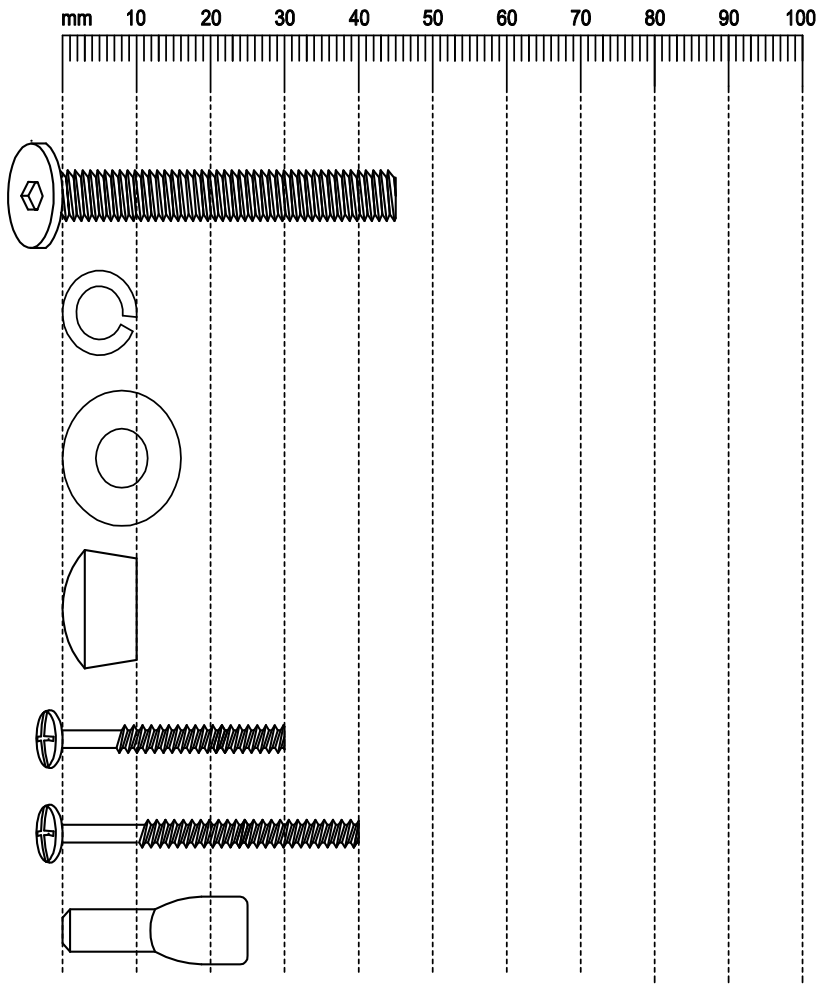


Components supplied. Please use this guide if you require replacement parts.

Ref	Dimensions	Visual	Qty
1	75 x 36 x 116 cm		1
2	1.9 x 34 x 70.9 cm		1
3	8 x 34 x 19 cm		2
4	2.5 x 61.5 cm		1

### Fixtures and fittings supplied (actual size)

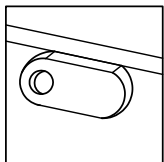
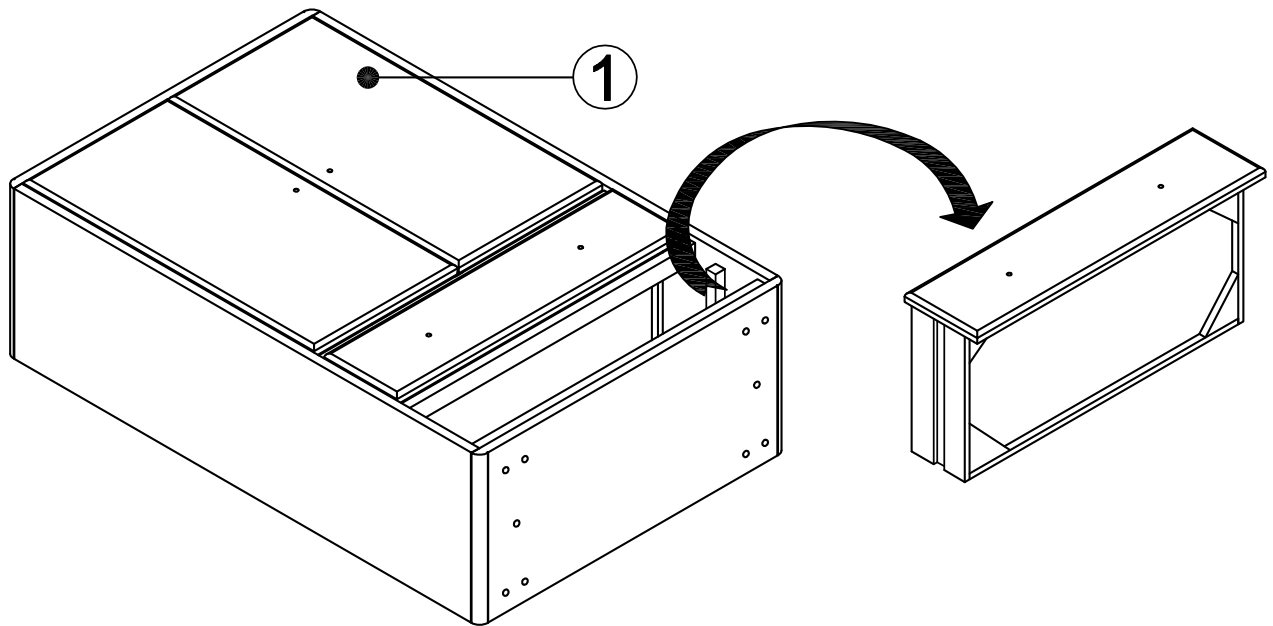
Ref	Dimensions	Qty	Extra Fittings
A	Ø6 x 45mm	12	2
B	Ø10	10	2
C	Ø16	10	2
D	Ø14	2	1
E	Ø4 x 30mm	2	1
G	Ø4 x 40mm	4	1
H	Ø6 x 25mm	4	1



### Fixtures and fittings supplied ( not to scale)

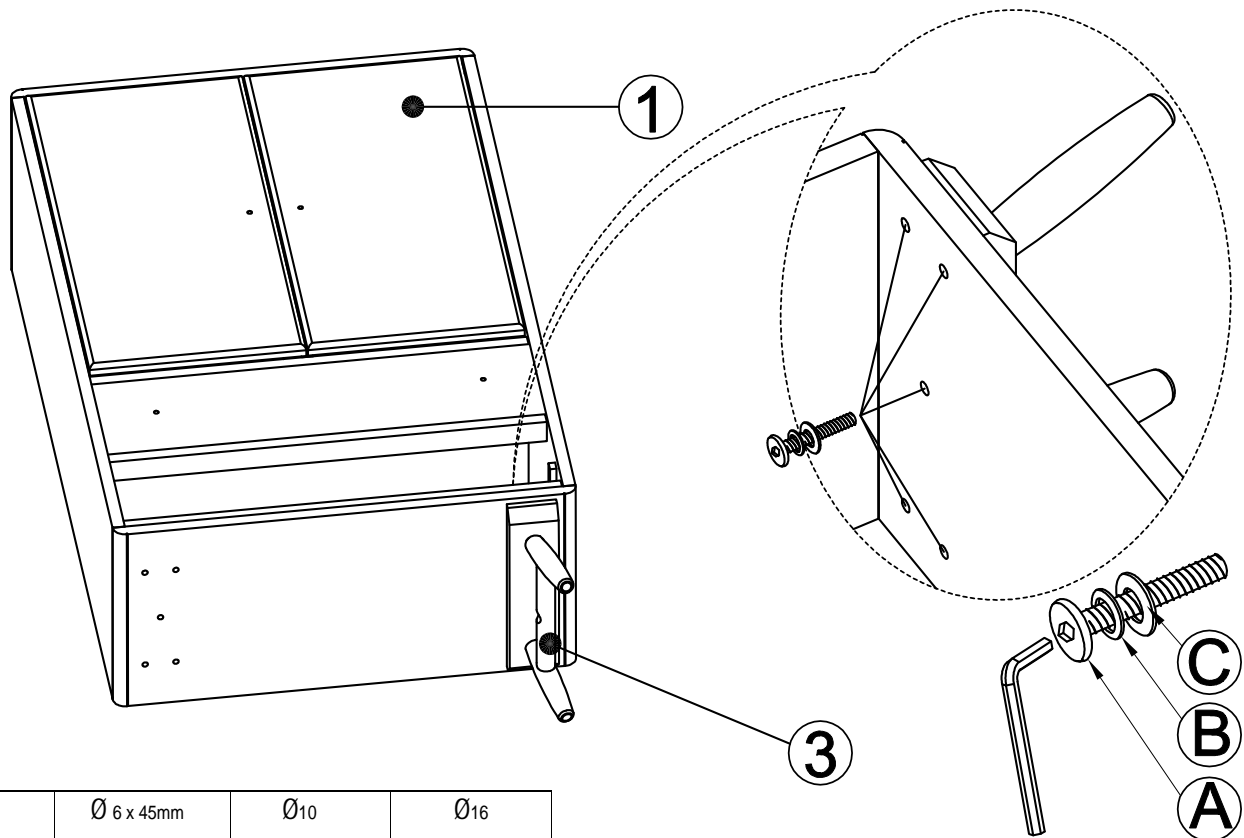
Rej	Dimensions	Visual	Qty	
F	25 x 27mm		Brown	6
			Black	6
J	N/A		2	
K	3.5 x 15mm		2	
L	Ø16mm		2	

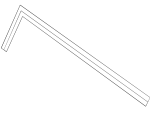



1



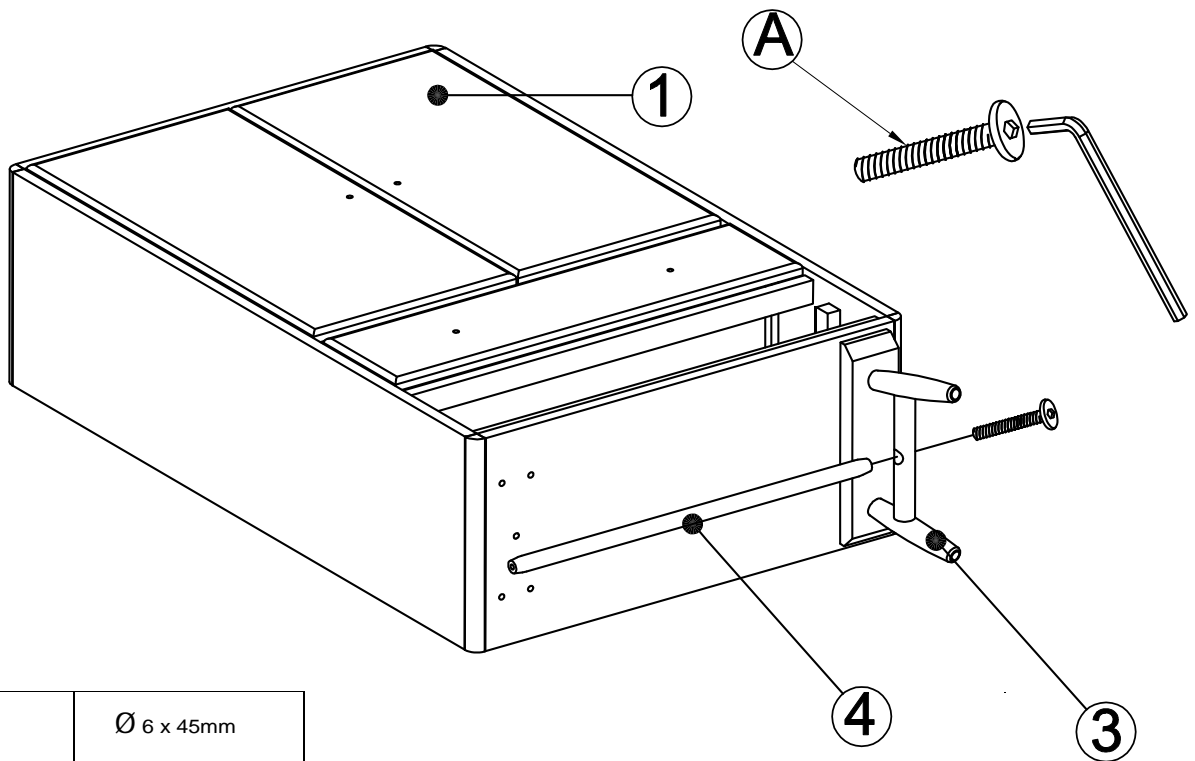
Unlock

2

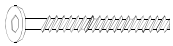


	$\text{Ø} 6 \times 45\text{mm}$ 	$\text{Ø} 10$ 	$\text{Ø} 16$ 
A x 5		B x 5	C x 5

3

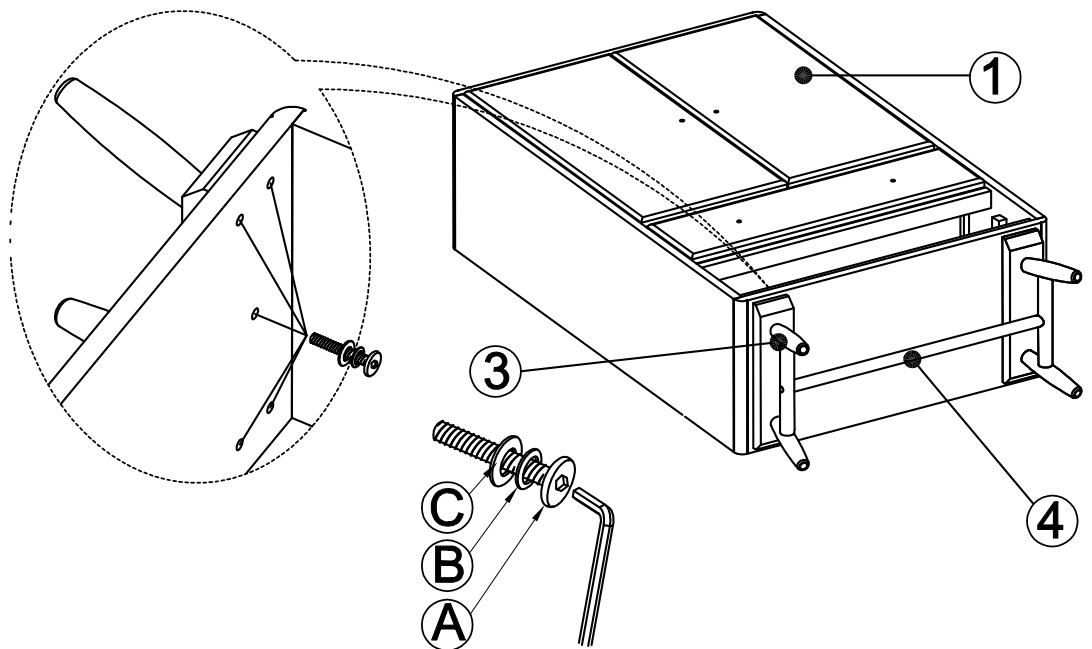


Ø 6 x 45mm



A x 1

4



Ø 6 x 45mm



A x 5

Ø10



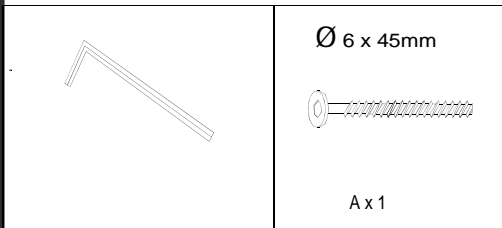
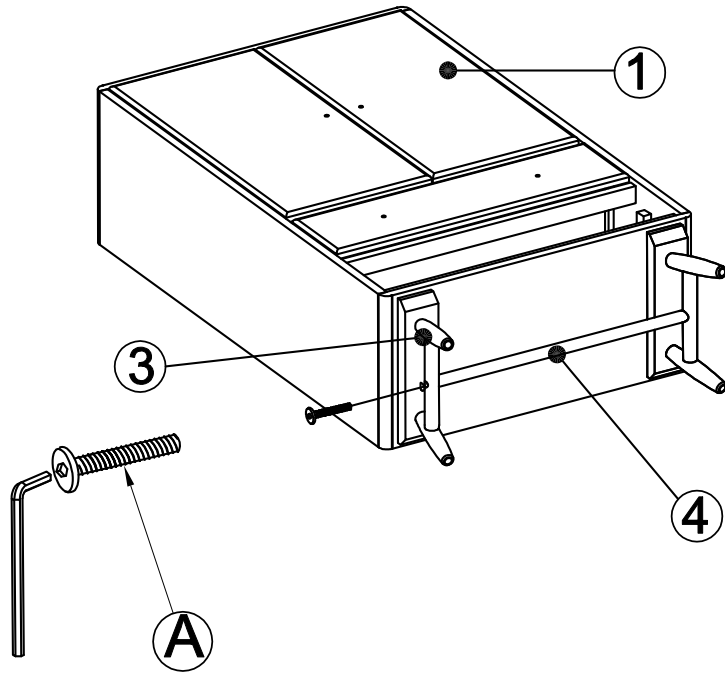
B x 5

Ø16

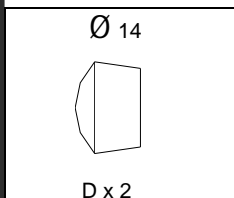
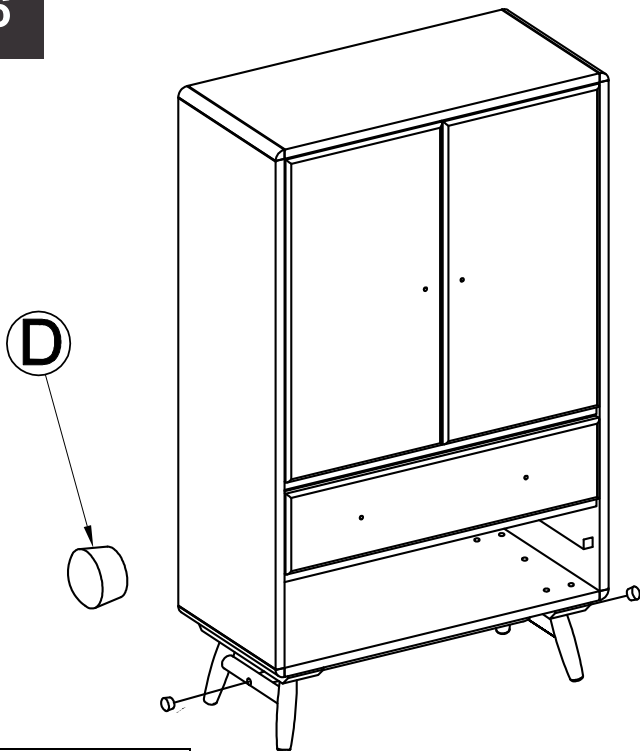


C x 5

5

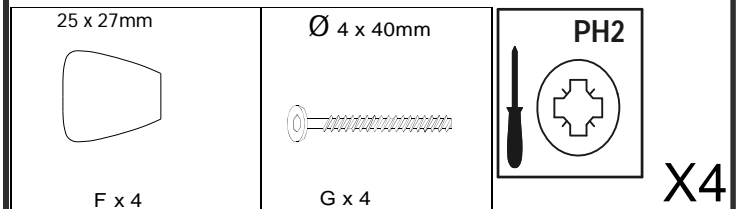
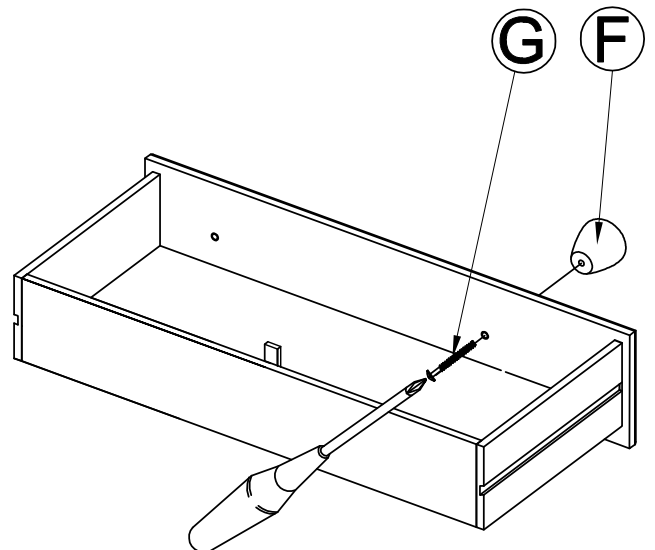


6

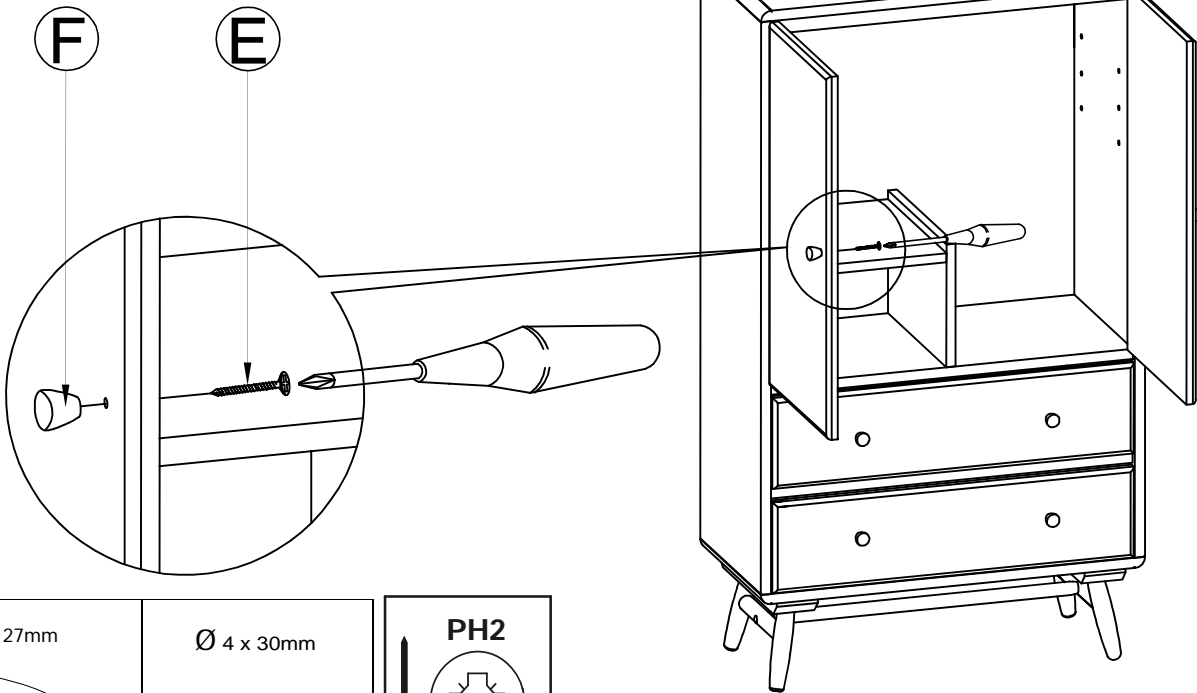


X2

7



8



25 x 27mm



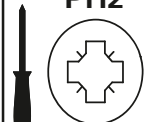
F x 2

Ø 4 x 30mm



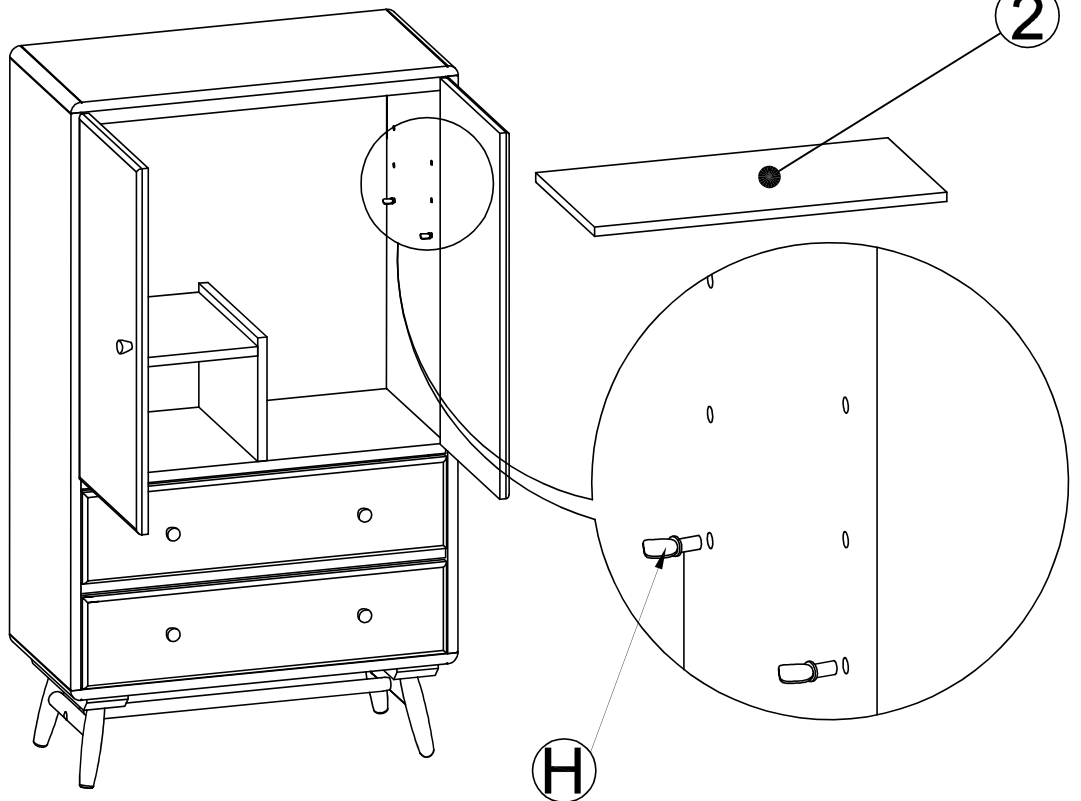
E x 2

PH2

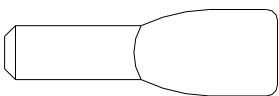


X2

9



Ø 6 x 25mm



H x 4

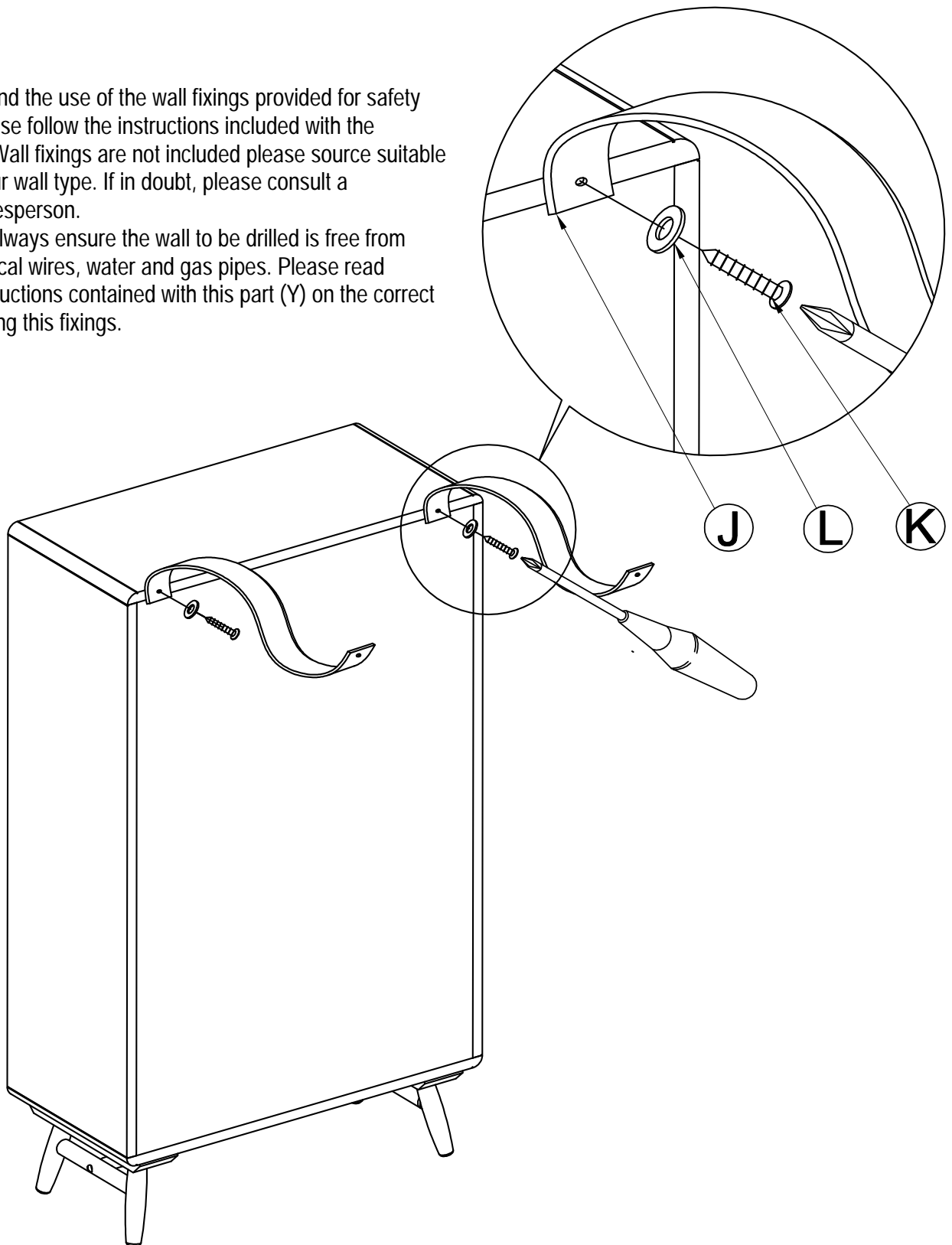
X4



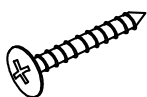
10

We recommend the use of the wall fixings provided for safety reasons. Please follow the instructions included with the fixings. N.B. Wall fixings are not included please source suitable fixings for your wall type. If in doubt, please consult a qualified tradesperson.

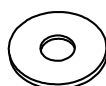
**WARNING:** Always ensure the wall to be drilled is free from hidden electrical wires, water and gas pipes. Please read separate instructions contained with this part (Y) on the correct way of securing this fixings.



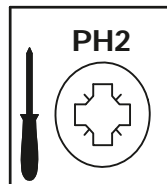
J x 2



K x 2

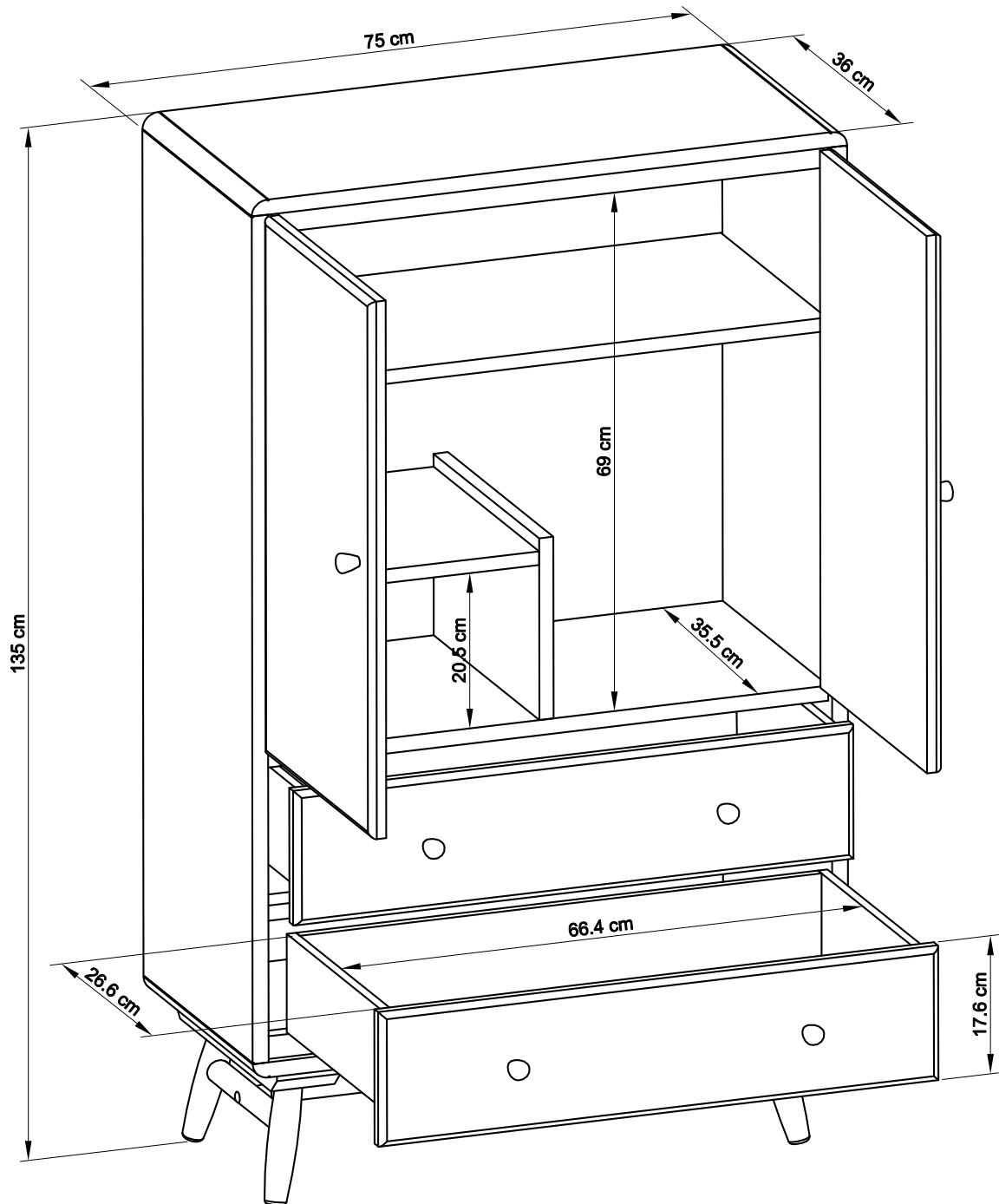


L x 2



X2

Actual product size  
H135 x W75 x D36cm



## Need Help?

With: Assembly instructions  
Missing or damaged parts

**CALL: 0333 777 8999**

**IMPORTANT – RETAIN FOR FUTURE REFERENCE**