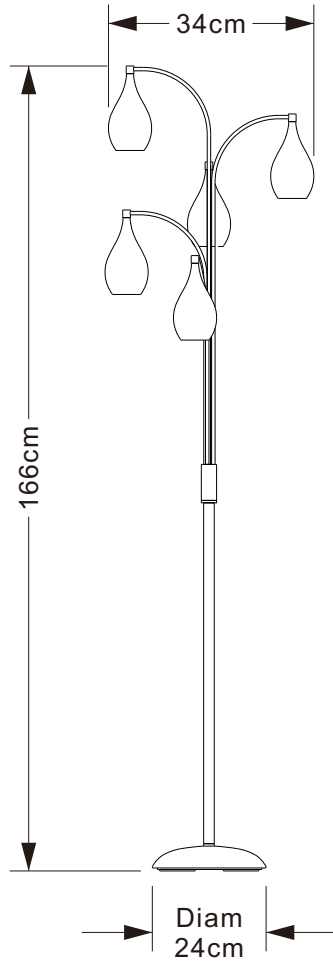


next

Hanbury Floor Lamp
850925

Actual product size
H166 x Diam 34cm

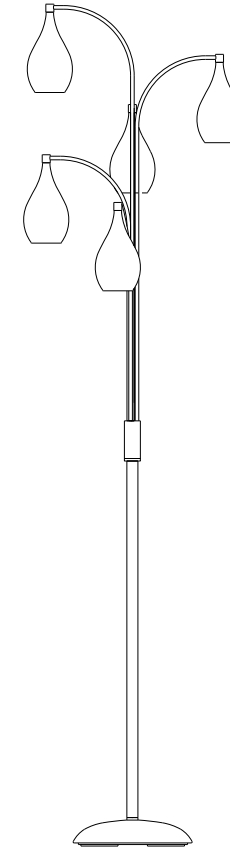


Produced in China for Next Retail Ltd.
850925 - 2014 - V2

next

Hanbury Floor Lamp
850925
Assembly instructions

Actual product size
H166 x Diam 34cm



Need Help?

With: Assembly instructions
Missing or damaged parts

CALL: 0333 777 8999

IMPORTANT – RETAIN FOR FUTURE REFERENCE

Produced in China for Next Retail Ltd.
850925 - 2014 - V2

next

Hanbury Floor Lamp

850925

Assembly instructions

Before You Start

Warnings

For your safety, this product must be installed in accordance with local Building Regulations. If in any doubt, or where required by the law, consult a competent person who is registered with an electrical self-certification scheme.

Further information is available online or from your Local Authority.

We suggest you retain these instructions for future reference.

Light fittings should be connected to a 5 amp fused circuit.

This light fitting is suitable for indoor use only. When used with the supplied lightbulb it may be dimmed using a standard dimmer switch.

Before commencing installation, isolate the circuit to be used by removing the fuse or circuit breaker at the consumer distribution unit.

Do's

We suggest you spend a short time reading through this leaflet before you start.

When you are ready to start, make sure that you have the right tools and plenty of space.

Unwrap all packaging materials and place the components on a clean surface to protect it from damage.

Carefully check that you have all the parts before beginning assembly.

Always switch off the supply before changing lightbulbs or cleaning.

Allow bulbs to cool down before handling.

Don'ts

The fitting should not be fitted to newly painted or plastered surfaces as this may cause discolouration of the finish.

We recommend cleaning with a soft dry cloth. Do not use abrasive materials as these will rub away the protective coating.

Number of people required to assemble

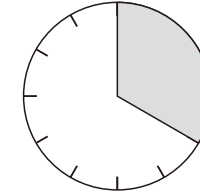
One Person who is competent with electrical wiring and installation, however we do recommend that this item is installed by a qualified electrician.

next

Hanbury Floor Lamp

850925

Assembly instructions



Time to assemble

About 20 minutes.

Tools required

Scissor or Knife for unpacking

Missing parts

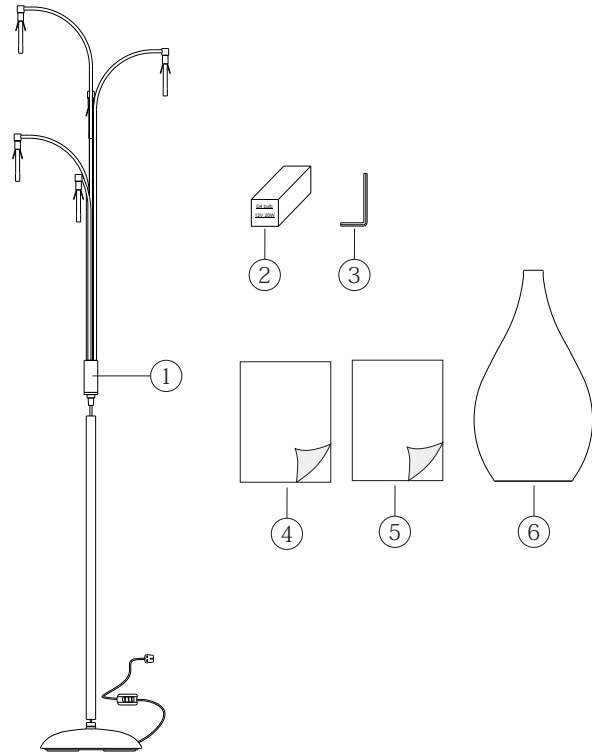
If you are missing any fixtures and fittings for your product, please contact our customer service team on 0333 777 8999 and they will be happy to arrange for a replacement to be sent to you free of charge.

You can write to us at

Home Customer Services
Next Retail Ltd,
Desford Road,
Leicester,
LE19 4AT

To View our full light fitting range please visit
www.next.co.uk

GETTING TO KNOW YOUR PRODUCT



Components supplied. Please use this guide if you require replacement parts.

Ref	Description	Spec	Qty	Remark
1	Light fitting	166 X Dia 30cm	1	
2	G4 bulb	12V 20W	5	Packed in fixing pack
3	Allen Key	M4	1	Packed in fixing pack
4	Assembly instructions	A4 x 2	1	Packed in fixing pack
5	Re-package instructions	A4 x 1	1	Packed in fixing pack
6	Glass shade	Diam 60 x 160mm	5	2 smoked; 1 purple; 2 light black.

Assembly Instructions

Unpack the contents of the carton. Lay the contents out on a flat surface giving yourself room to work.

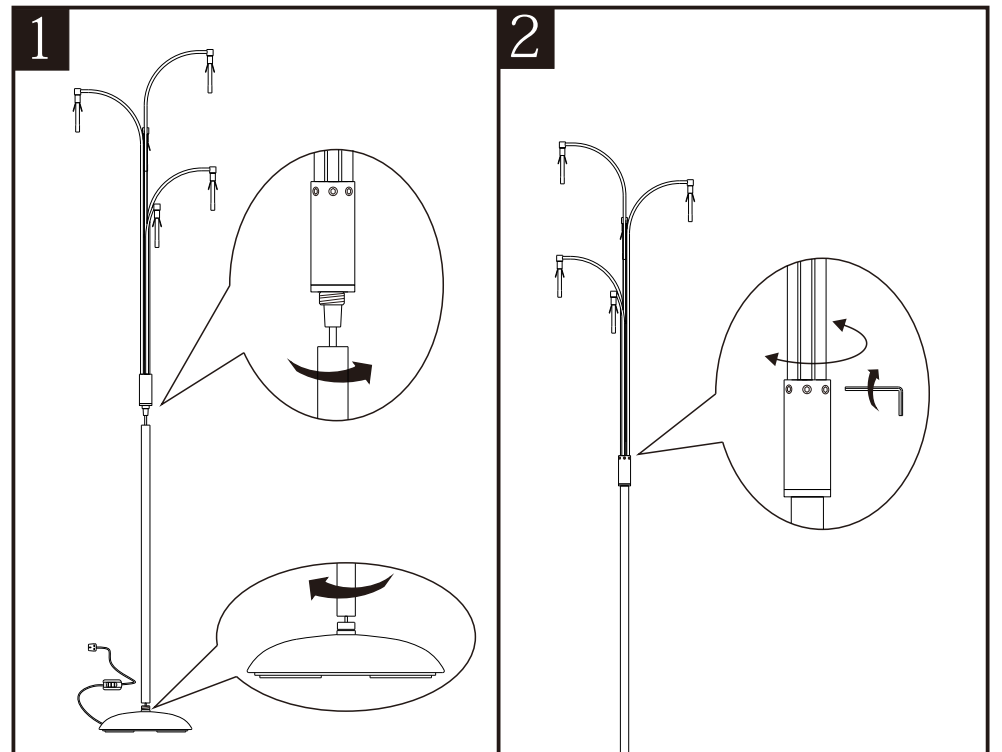
Step 1

Screw stem to top assembly. Ensure threads are properly aligned before tightening by hand. (See Figure 1.)

Screw the base to the stem. Pull surplus cable outside.

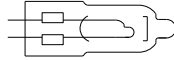
Step 2

Loosen the five grub screws but do not remove completely. Arrange the arms so they are in desired position. Tighten grub screws, taking care not to overtighten. (See Figure 2.)



Selecting the correct lightbulb

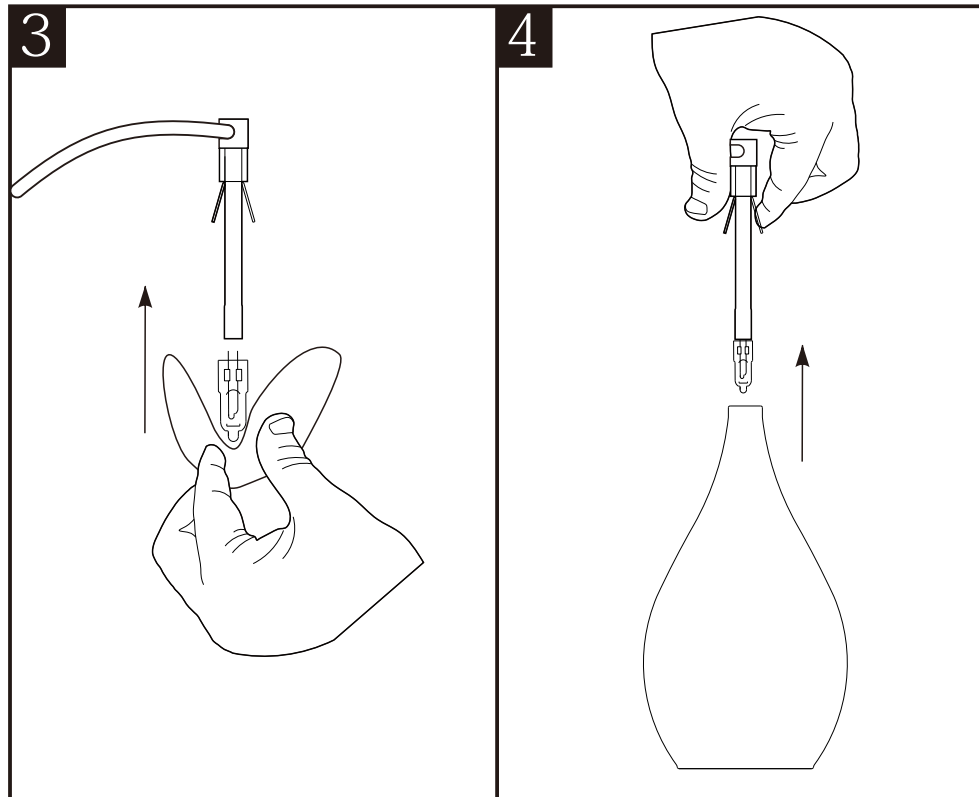
- ◆ Maximum Wattage – 20 Watts.
- ◆ Voltage – 12 Volts.
- ◆ Lightbulb type – G4 Capsule.



Do not exceed the maximum wattage as this may cause your light fitting to overheat. Use a soft cloth to handle bulbs. (See Figure 3.)

Attaching shades

Pinch the spring clip closely to the lampholder tube and then Place shade over light bulb and the clip slowly. (See Figure 4.) Ensure the shade is securely fixed.



Transformer

This product is to be used with the 12V 105VA sliding dimmer transformer supplied. If the transformer fails it must be replaced with one of the same rating.

Switch on!

You may now switch the electricity back on. We are sure you will be pleased with your new NEXT light fitting and that it will give you many years of trouble free enjoyment.

Cleaning care

We recommend cleaning with a soft dry cloth. Do not use abrasive materials as these will rub away the protective coating.

Safety information

For your safety, please remember the following:
Always switch off the supply before changing lightbulbs or cleaning.
Allow bulbs to cool down before handling.

Maintenance

TO ENSURE YOUR SAFETY, IF THE CABLE BECOMES DAMAGED IT MUST BE REPLACED ONLY BY A QUALIFIED PERSON.