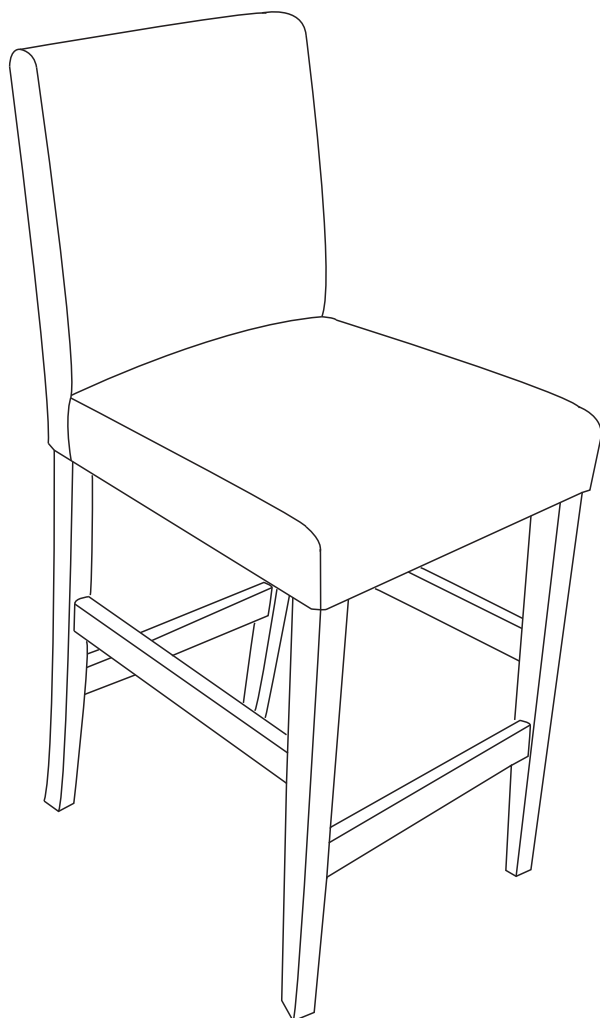


next

Moda Barstool
Assembly instructions

Actual product size
H105xW45xD54cm



IMPORTANT – RETAIN FOR FUTURE REFERENCE

Need Help?

With: Assembly instructions
Missing or damaged parts

CALL: 0333 777 8999

BEFORE YOU START

Warnings

Important: Retain these instructions for future reference.

Unwrap **all** packaging materials and place the components on top of the carton box or on a clean floor to prevent it from scratching.

This product should **only** be used on firm, level ground.

Keep small parts out of reach of children.

Do's

We suggest you spend a short time reading through this leaflet before you start.

When you are ready to start, make sure that you have the right tools, plenty of space and a clean, dry area for assembly.

Check the pack and make sure you have **all** the parts listed.

During assembly children should be kept away from the product due to possible risk of injury.

Due to the size of this product we recommend that it is assembled in the room intended for use.

Ensure that this product is **fully** assembled as illustrated before use.

Make sure the legs remain in contact with the ground.

Check **all** screws or bolts are tightened and inspect regularly.

For faux leather chairs

To clean your item, please lightly brush clean or lightly wipe with a slightly dampened cloth

Keep away from strong heat sources

Occasional overall cleaning should be carried out out approximately once a month by using a slightly dampened soft cloth. Then buff with a dry clean soft cloth.

Dont's

Do not use power tools to construct this product.

Do not tighten screws until fully assembled.

Do not overtighten screws or bolts.

Do not stand upon this product.

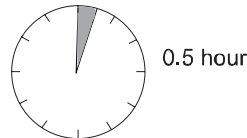
Do not use this product if parts are missing, damaged or worn.

Never use scourers, abrasives or chemical cleaners.

Number of people required to assemble

One person to assemble the unit and one person to lift the unit into position.

Time to assemble



Tips

Look out for the symbol throughout this manual. Wherever you see it we will have a handy tip to help you with the assembly of your product.

Tools required



Components supplied(per chair)

Missing parts

If you are missing any fixtures and fittings for your product please contact our customer service team on 0333 777 8999 and they will be happy to arrange for a replacement to be sent to you free of charge.

Home service technicians

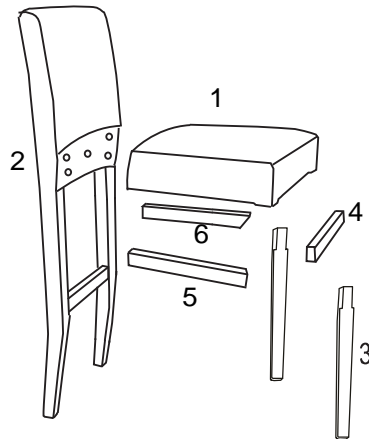
If you have a fault with your product please contact our customer service team on 0333 777 8999 . If you have had the product for 28 days or less you may be offered a replacement, refund or for a fully trained home service technician to visit your home to assess the fault and repair the product where possible. If you have had the product for more than 28 days we will send an independant home service technician to review and repair the product where possible and recommend further action.

You can write to us at

Next Retail Ltd,
Desford Road,
Leicester,
LE19 4AT

To view our full furniture range please visit www.next.co.uk

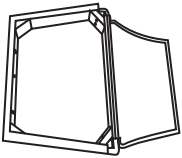





GETTING



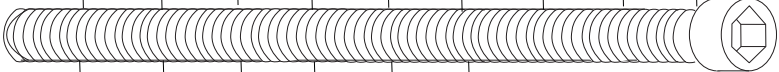
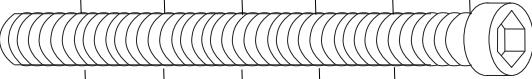
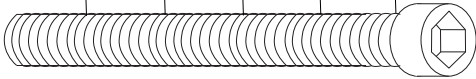



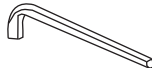
CUSTOMER HELPLINE

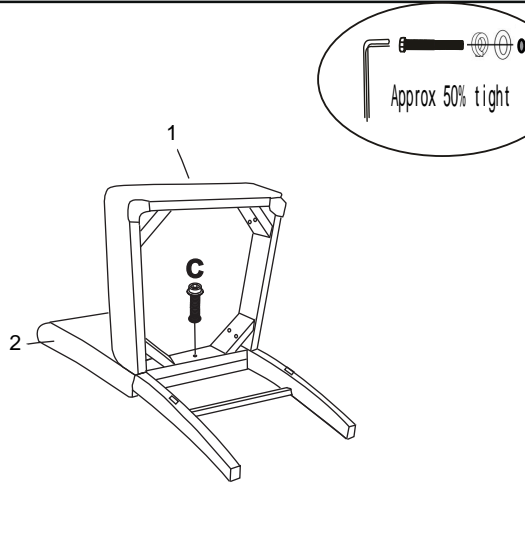
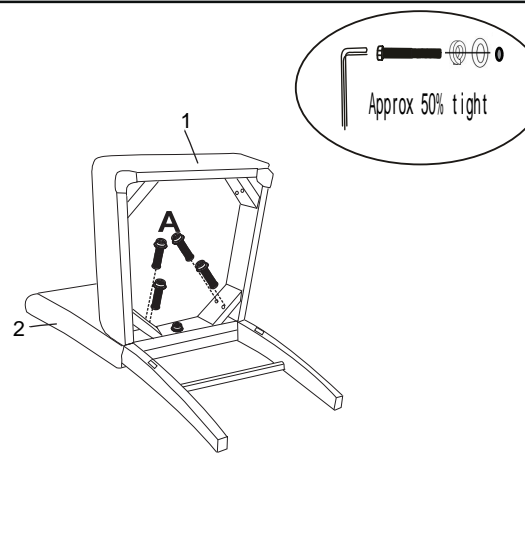





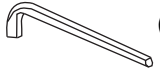

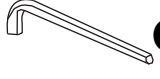
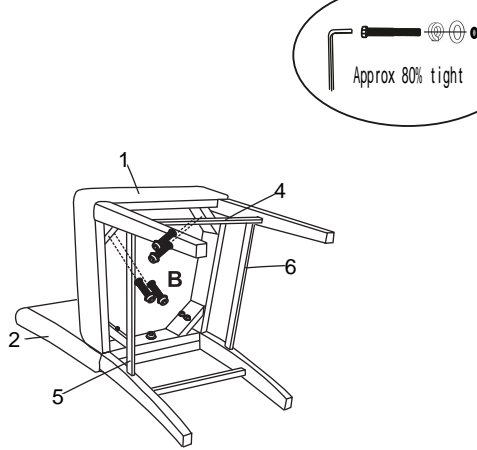
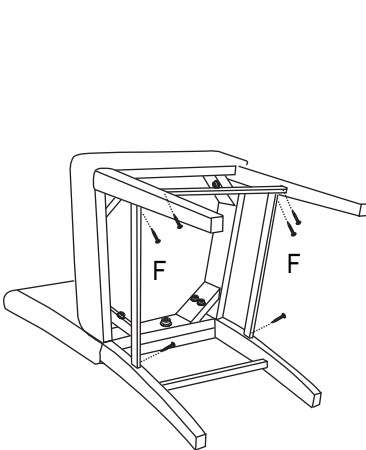





If you have any problem with this product or require any replacement fittings please contact customer services **0333 777 8999**

Components supplied

Ref	Dimensions	Visual	Qty
1	45X45X11CM		1
2	105X42X8CM		1
3	54X4.2X4.2CM		2
4	40X5X2CM	 FRONT RUNG	1
5	46X5X2CM	 RIGHT SIDE RUNG	1
6	46X5X2CM	 LEFT SIDE RUNG	1

Fixtures and fittings supplied (actual size)

Ref	Dimension		Qty
A	M8x90		4
B	M8x60		4
C	M8x50		1
D	Ø9/22		9
E	Ø9/14		9
F	M3.4x50		6
G	5mm		1

<div style="background-color: black; color: white; padding: 5px; text-align: center; font-weight: bold;">1</div> 	<div style="background-color: black; color: white; padding: 5px; text-align: center; font-weight: bold;">2</div> 		
<p>M8x50</p>  <p>C x1</p>	<p>Ø9/14</p>  <p>E x1</p>	<p>M8x90</p>  <p>A x4</p>	<p>Ø9/14</p>  <p>E x4</p>
<p>Ø9/22</p>  <p>D x1</p>	<p>5mm</p>  <p>G x1</p>	<p>Ø9/22</p>  <p>D x4</p>	<p>5mm</p>  <p>G x1</p>
<div style="background-color: black; color: white; padding: 5px; text-align: center; font-weight: bold;">3</div> 	<div style="background-color: black; color: white; padding: 5px; text-align: center; font-weight: bold;">4</div> 		
<p>M8x60</p>  <p>B x4</p>	<p>Ø9/14</p>  <p>E x4</p>	<p>M3.4X50</p>  <p>F X6</p>	
<p>Ø9/22</p>  <p>D x4</p>	<p>5mm</p>  <p>G x1</p>		

5

Place the chair onto a flat level surface and level the seat frame, once the chair is level, tighten the bolts A and B.

1

