

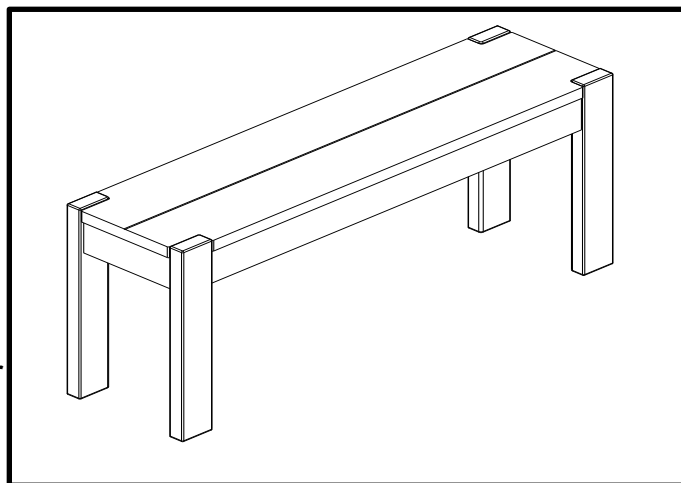
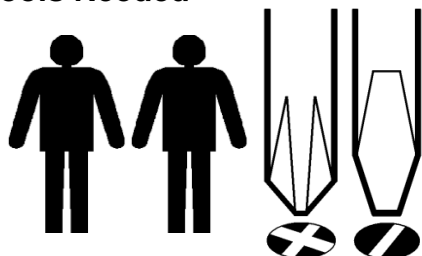
next

864609 XM HARTFORD BENCH SET (BENCH)

ASSEMBLY INSTRUCTIONS.

IMPORTANT - RETAIN FOR FUTURE REFERENCE - READ CAREFULLY.

Tools Needed



Helpline

If you have any problems with this product or require any replacement fittings please contact Customer Services Tel: 0333 777 8999

Regrettably self assembly items cannot be returned once assembly is part or fully completed unless the item is found to be faulty. Should you need to return the unassembled product, please repack in the original packaging.

IMPORTANT

- We suggest you spend a short time reading through this leaflet and then follow the simple step-by-step instructions.
- Carefully check that you have all parts before beginning assembly.
- Keep fittings out of children's reach and keep children well away from the construction area.
- We recommend that the packaging is used to protect the surfaces during assembly.
- A minimum of 2 persons is required to assemble this product.

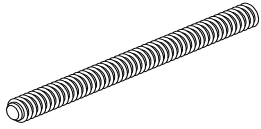
PRODUCT INFORMATION

- Made from Pine with NC lacquer finish.
- Made in China.
- Natural features ensure that each piece is individual. Every effort is made to ensure colour continuity between pieces, however this is a natural product, slight colour variations and natural grain markings may occur.

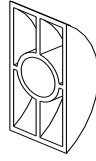
CARE INSTRUCTIONS

- For general cleaning, periodically dust with a soft cloth.
- Do not rub or scrub the surface when cleaning.
- Always use a non-silicone based furniture polish. Silicone in furniture polishes can break down the lacquer
- Any spills should be removed immediately with a soft clean damp cloth and dried immediately.
- Ensure the product is protected with mats and coasters when items are placed on the surfaces, to prevent scratching or damage.
- Do not put hot dishes directly on the surfaces of the item.
- Avoid keeping furniture in direct sunlight or close to any heat sources as this can cause cracking, discolouration or warping.
- Never drag pieces of furniture across the floor as this will cause damage to the joints.
- All assembly fixings should always be tightened properly and periodically check all fixings and tighten if
- We recommend that the extending dining table is left fully extended and uncovered for the first few months so that the natural mellowing process occurs evenly across the table top.

FITTINGS



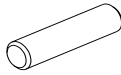
A × 16



B × 16



C × 16



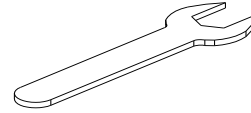
($\varnothing 10 \times 40\text{mm}$)

D × 24



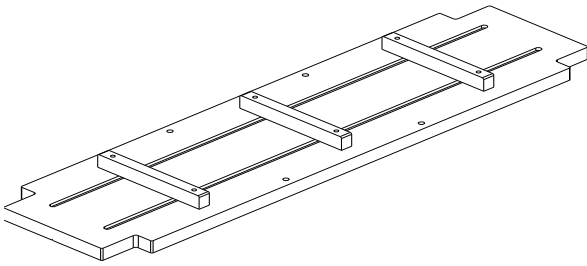
($\varnothing 3.5 \times 45\text{mm}$)

E × 28

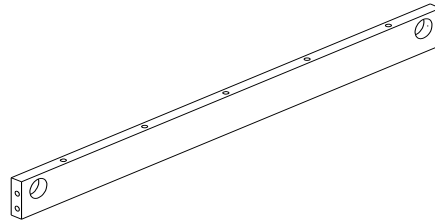


F × 1

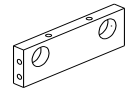
PARTS



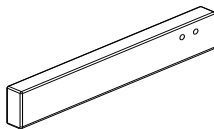
1 × 2



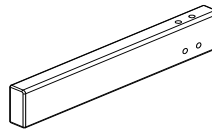
2 × 4



3 × 4



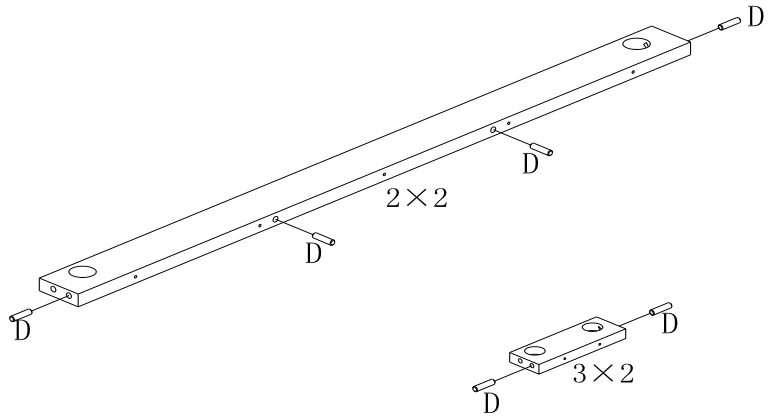
4 × 4



5 × 4

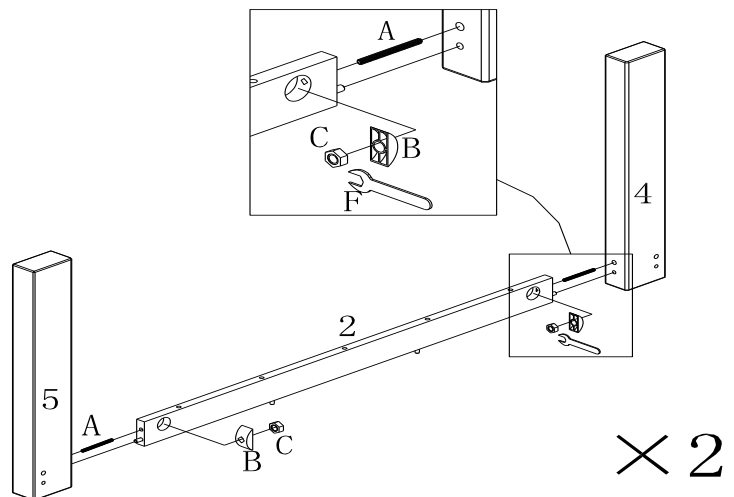
STEP ONE

1. Insert 4 x dowels (D) into 2 x rails 2.
2. Insert 4 x dowels (D) into 2 x rails 3.



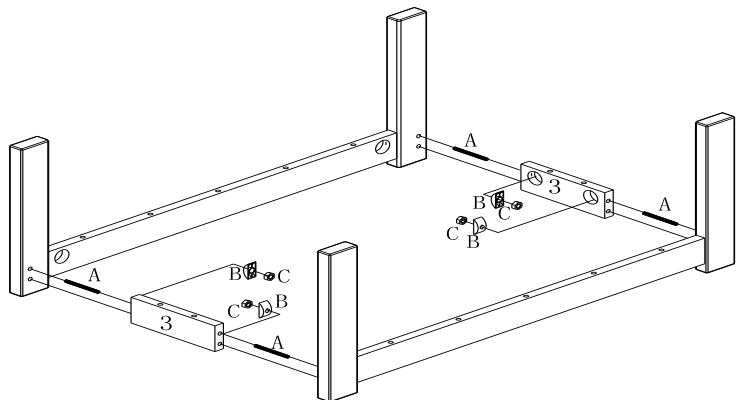
STEP TWO

1. Insert 2 x bolts (A) into legs 4 & 5 and tighten by hand.
2. Attach legs 4 & 5 to rail 2 using 2 x half moon washers (B) and 2 x nuts (C). Tighten using wrench (F).
4. Repeat above steps to assemble the other set of legs, using legs 4 & 5 and rail 2.



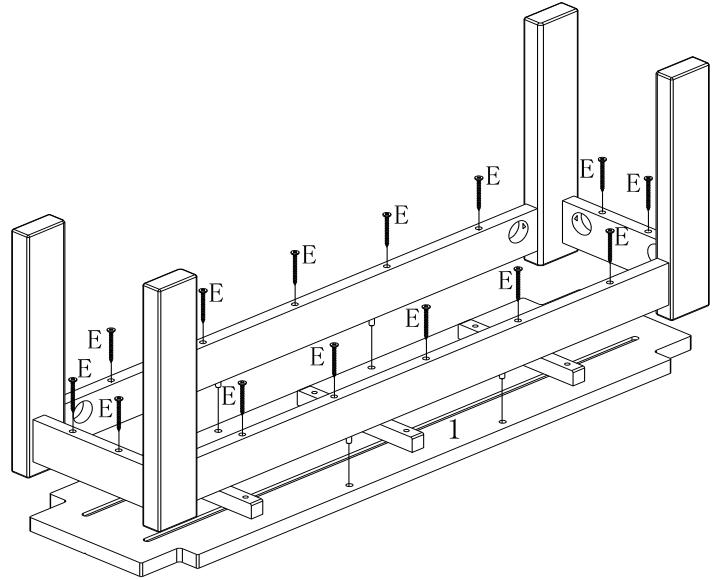
STEP THREE

1. Insert 2 x bolts (A) into legs 4 & 5 and tighten by hand.
2. Attach legs 4 & 5 to rail 3 using 2 x half moon washers (B) and 2 x nuts (C). Tighten using wrench (F).
3. Repeat above steps to assemble the other set of legs unit to rail 3.



STEP FOUR

1. Attach assembled unit to table top 1 back.
2. Insert 14 x screws (E) into rails 2 (x2) & 3 (x2) and tighten with a screwdriver.



STEP FIVE

- Repeat above step one to four to assembled another bench.

Next Retail Ltd, Desford Road, Enderby, Leicester, LE19 4AT