

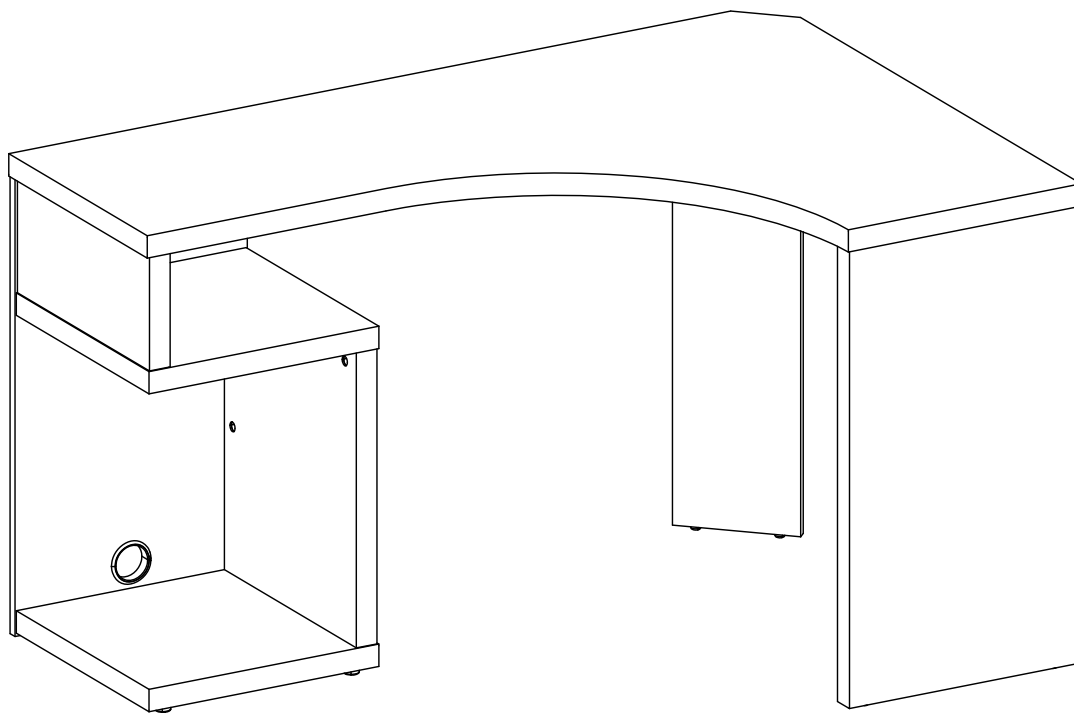
next

HAVANA CORNER DESK

864743

Assembly instructions

Actual product size
H75.5x W130x D90cm



Need Help?

With : Assembly instructions
Missing or damaged parts

CALL: 0333 777 8999

IMPORTANT - RETAIN FOR FUTURE REFERENCE

BEFORE YOU START

Warnings

We suggest you retain these instructions for future reference.

Keep fittings out of children's reach and keep children well away from construction area.

This product should only be used on firm level ground.

Please periodically check all fittings and re-tighten as necessary.

Please do not sit or stand on your furniture.

Avoid exposing the furniture to excessive heat or direct sunlight as this can cause cracking of the wood and deterioration of the colour.

Unwrap all packaging materials and place the components on top of the carton box or on a clean floor to protect it from damage.

Do's

We suggest you spend a short time reading through this leaflet before you start.

When you are ready to start, make sure that you have the right tools and plenty of space.

Unwrap all packaging materials and place the components on a clean surface to protect it from damage. We recommend that the packaging is used to protect the surfaces during assembly.

Carefully check that you have all parts listed before beginning assembly.

Due to the size of this product we recommend that it is assembled in the room intended for use.

Ensure the product is fully assembled as illustrated and all fixings are fully tightened before use.

Wipe occasionally with a soft cloth slightly dampened with water. Then buff with a dry clean soft cloth.

Wood will mellow and change colour over time, we recommend that ornaments and items placed on the surface are moved regularly for the first few months to prevent uneven mellowing.

Dont's

Do not drag or pull your furniture.

Do not use silicone based furniture polish. Silicone in furniture polishes can break down the finish.

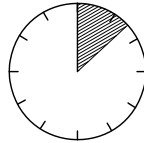
Never allow any kind of liquid to remain on your furniture. Absorption can cause wood to warp or finishes to de-laminate.

Do not place hot items (e.g. hot drinks) directly on to the wood surface. Please make sure you use a placement or coaster.

Number of people required to assemble

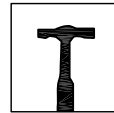
Two person to assemble the unit and two person to lift the unit into position

Time to assemble

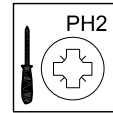


1.5 hour

Tools required



not supplied



not supplied

Missing parts

If you are missing any fixtures and fittings for your product. Please contact our customer service team on 0333 777 8999 and they will be happy to arrange for a replacement to be sent to you free of charge.

Home service technicians

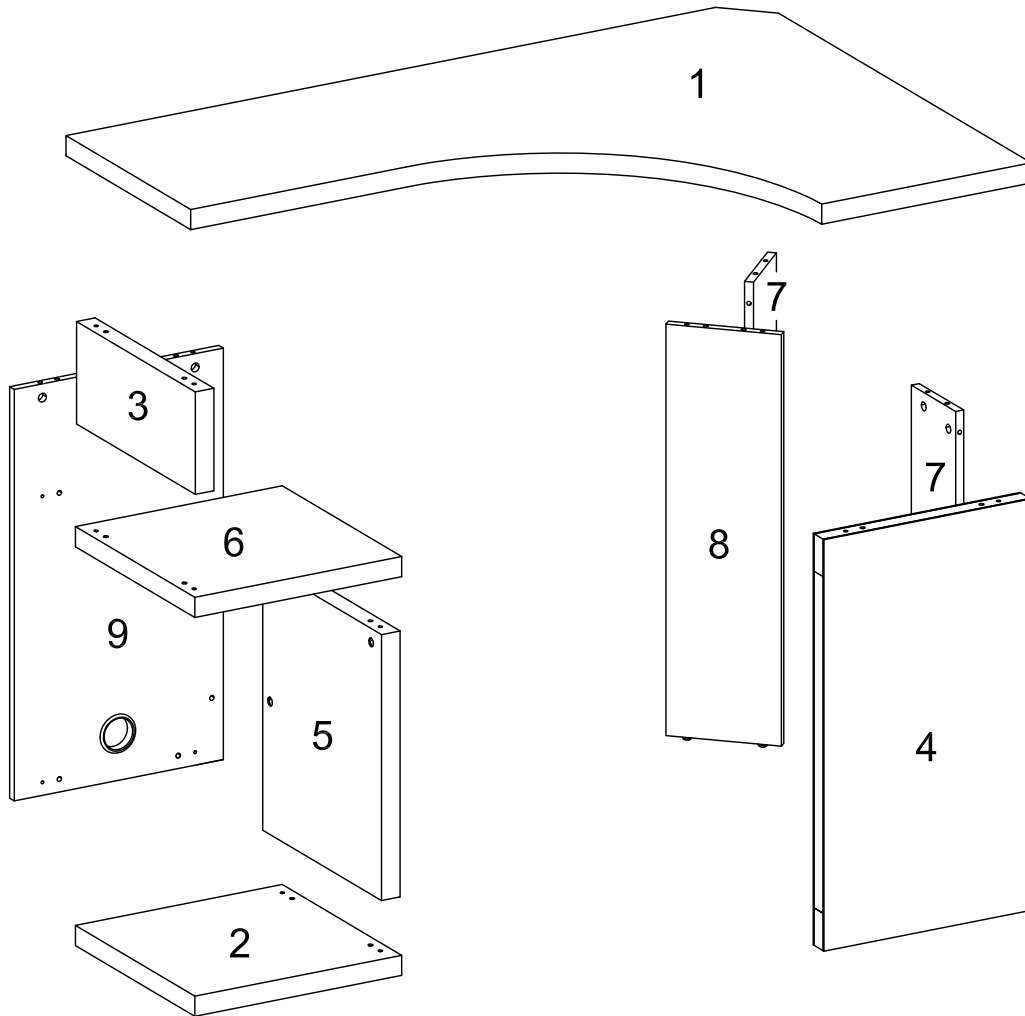
If you have a fault with your product. Please contact our customer service team on 0333 777 8999. If you have had the product for 28 days or less you may be offered a replacement, refund or for a fully trained home service technician to visit your home to assess the fault and repair the product where possible. If you have had the product for more than 28 days we will send an independent home service technician to review and repair the product where possible and recommend further action.

You can write to us at

Home Customer Services
Next Retail Ltd,
Destord Road,
Leicester,
LE19 4AT

To view our full furniture range please visit www.next.co.uk

GETTING TO KNOW YOUR PRODUCT



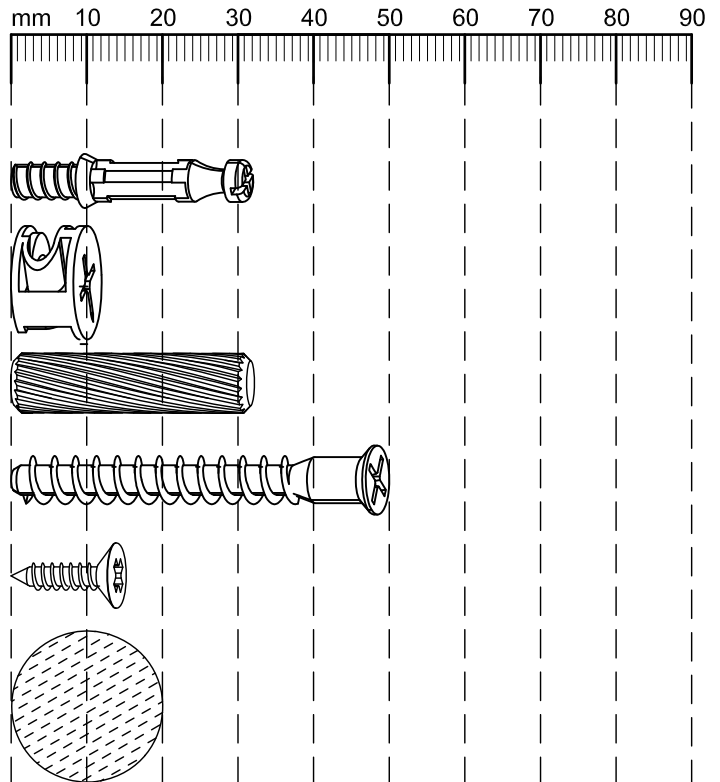
Components supplied - Use this guide if you require a replacement part.

Ref	Dimension	Visual	Qty	Ctn
1	1300x 900mm		1	1
2	390 x 390mm		1	1
3	178 x 387mm		1	1
4	715 x 390mm		1	1
5	462 x 388mm		1	1

Ref	Dimension	Visual	Qty	Ctn
6	390 x 390mm		1	1
7	715x 145mm		2	1
8	715 x 195mm		1	1
9	715 x 392mm		1	1

Fixtures and fittings supplied (actual size)

Ref	Name	Dimensions	Qty
A	CAMBOLT	7.5 x 32mm	24
B	CAMLOCK	15 x 12mm	24
C	WOODEN DOWEL	8 x 32mm	26
D	CONFIRMAT SCREW	10 x 50mm	4
E	FLAT HEAD SCREW	6 x 15mm	2
F	STICKER COVER	20mm	24



Fixtures and fittings supplied (not to scale)

Ref	Name	Dimensions	Visual	Qty
G	GLUE	N/A		1
H	CABLE COVER	N/A		1
I	PLASTIC LEG	N/A		2

1

7.5 x 32mm
A x11

not supplied

CAM-PILLAR
Tighten until shoulder is flush with panel. Do not overtighten or undertighten (see example below)

Panel

Panel

Shoulder

NO GAP

2

8 x 32mm
C x2

not supplied

3

8 x 32mm
C x4

not supplied

4

7.5 x 32mm
A x3

not supplied

8 x 32mm
C x2

not supplied

CAM-PILLAR
Tighten until shoulder is flush with panel. Do not overtighten or undertighten (see example below)

Panel

Panel

Shoulder

NO GAP

5

7.5 x 32mm
A x2

not supplied

8 x 32mm
C x8

not supplied

CAM-PILLAR
Tighten until shoulder is flush with panel. Do not overtighten or undertighten (see example below)

Shoulder
NO GAP
Panel

6

8 x 32mm
C x6

not supplied

x2

CAM-PILLAR
Tighten until shoulder is flush with panel. Do not overtighten or undertighten (see example below)

Shoulder
NO GAP
Panel

7

7.5 x 32mm
A x3

not supplied

8 x 32mm
C x2

not supplied

CAM-PILLAR
Tighten until shoulder is flush with panel. Do not overtighten or undertighten (see example below)

Shoulder
NO GAP
Panel

8

7.5 x 32mm
A x5

not supplied

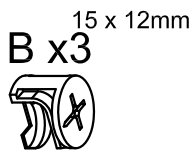
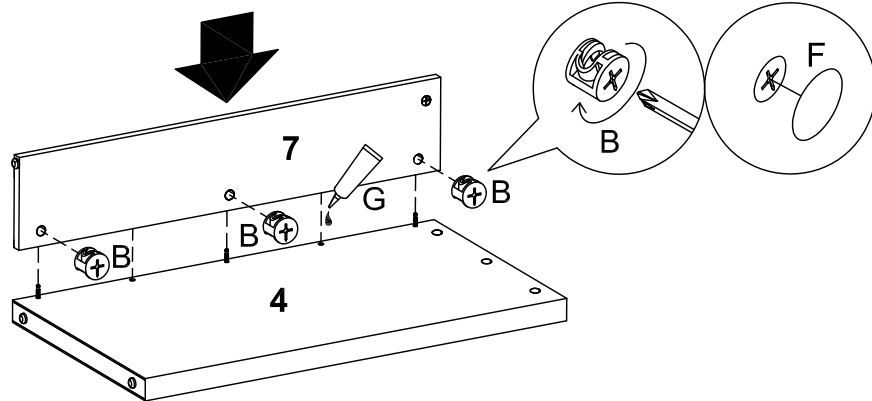
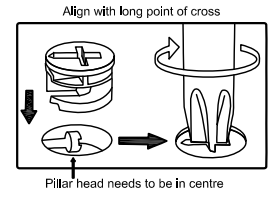
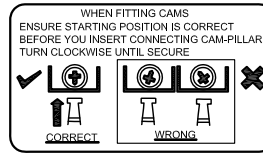
8 x 32mm
C x2

not supplied

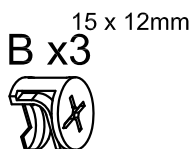
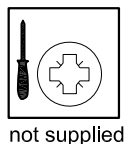
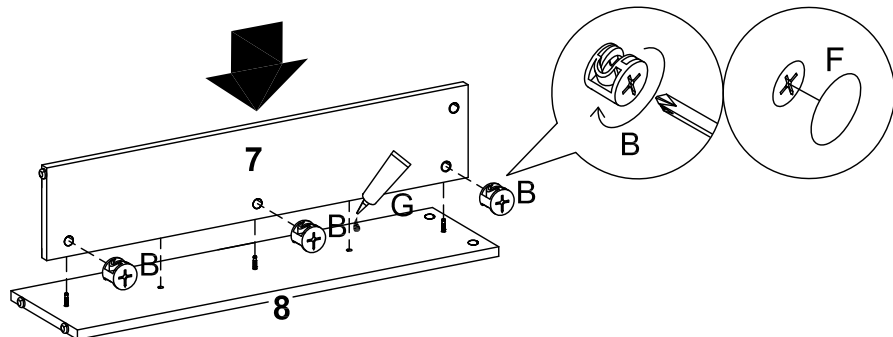
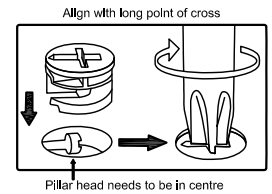
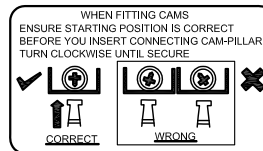
CAM-PILLAR
Tighten until shoulder is flush with panel. Do not overtighten or undertighten (see example below)

Shoulder
NO GAP
Panel

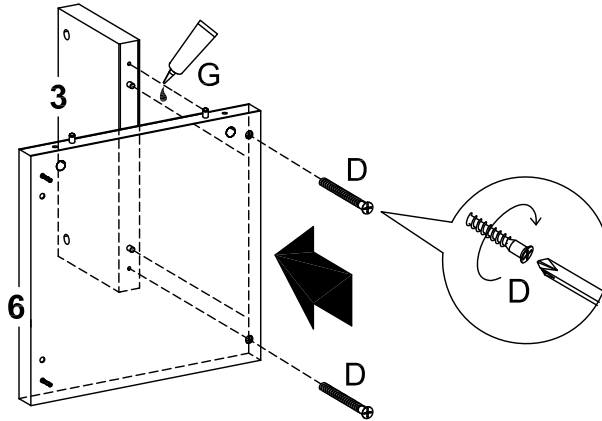
9



10

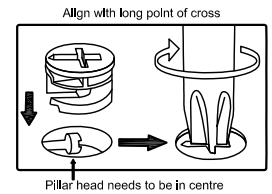
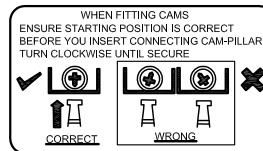
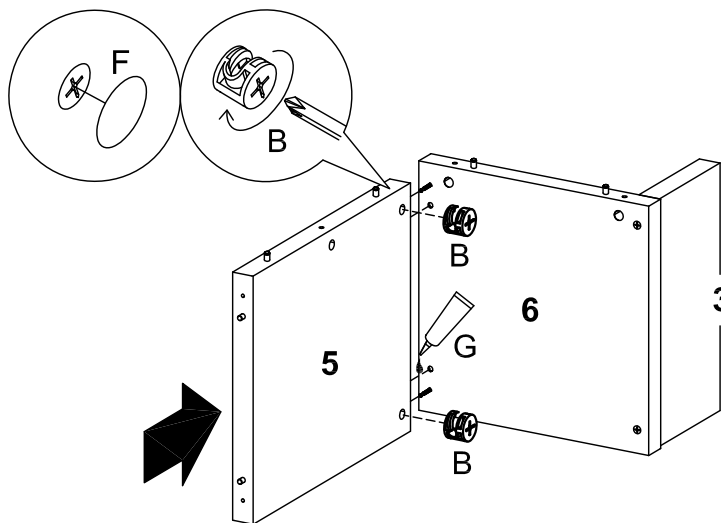


11



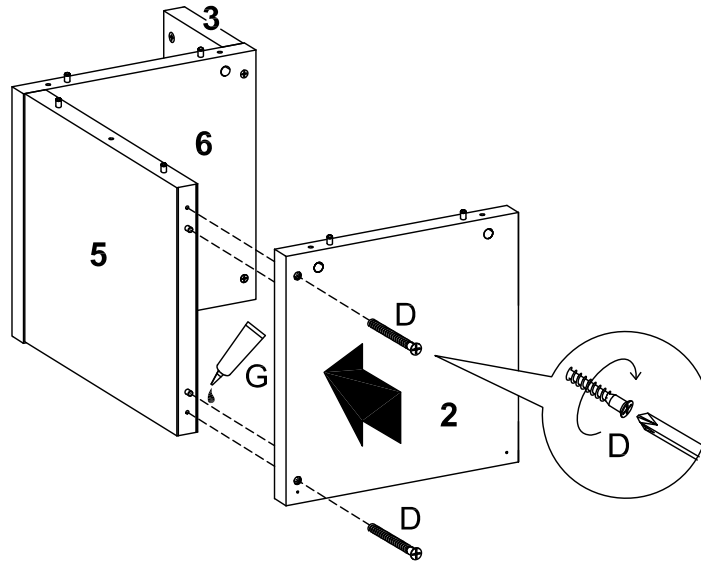
10 x 50mm
D x2

12

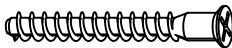


15 x 12mm
B x2

13

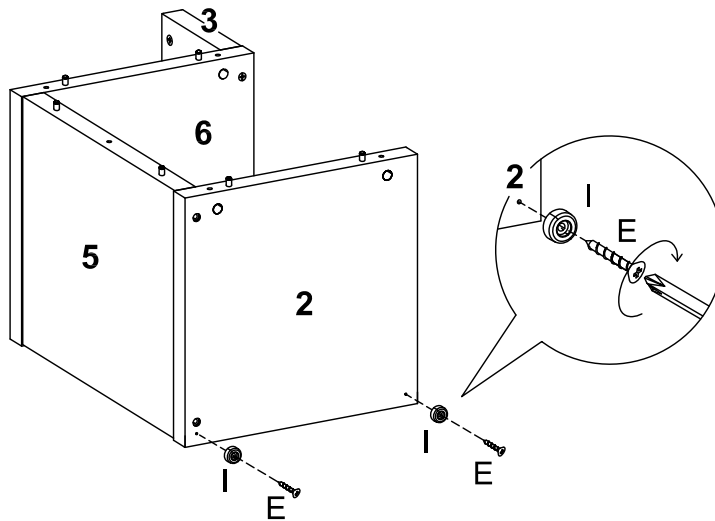


10 x 50mm
D x2

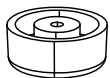


not supplied

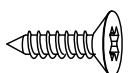
14



I x2

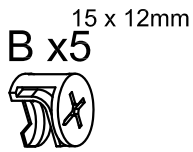
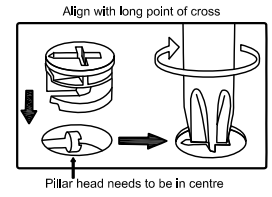
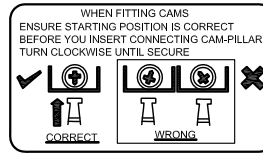
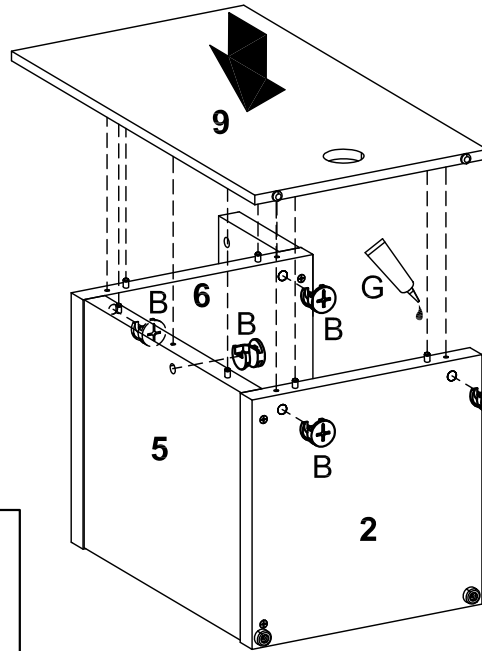


6 x 15mm
E x2

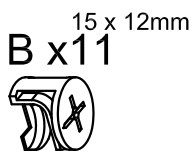
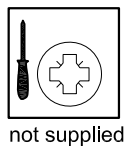
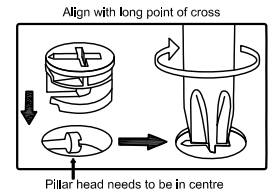
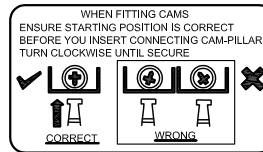
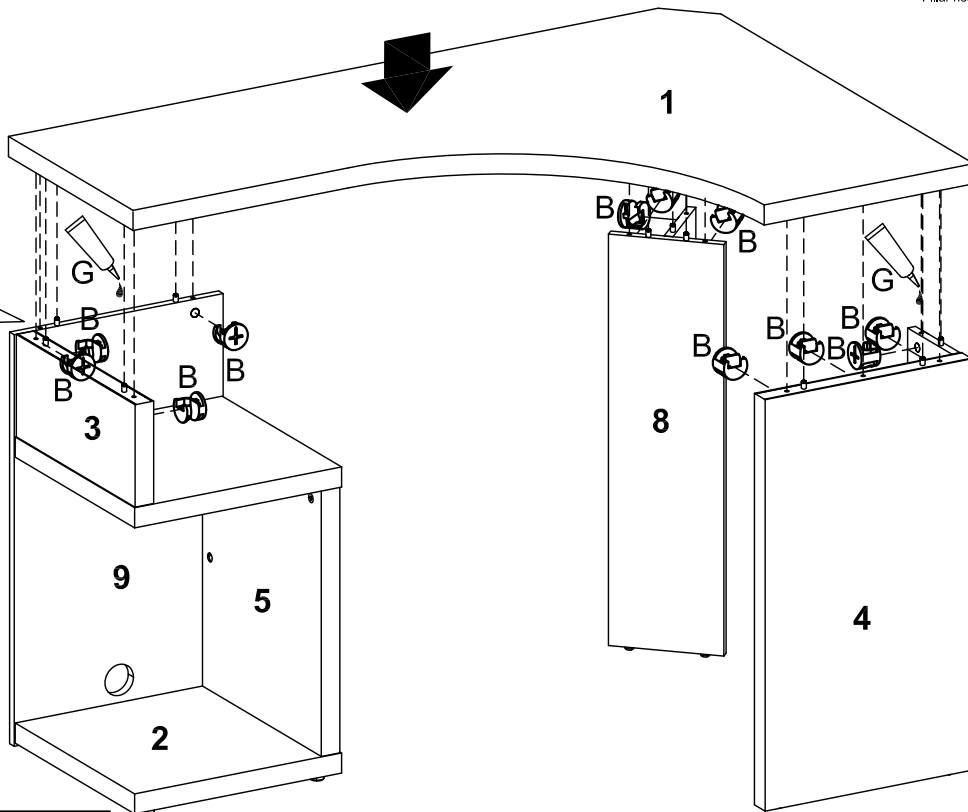


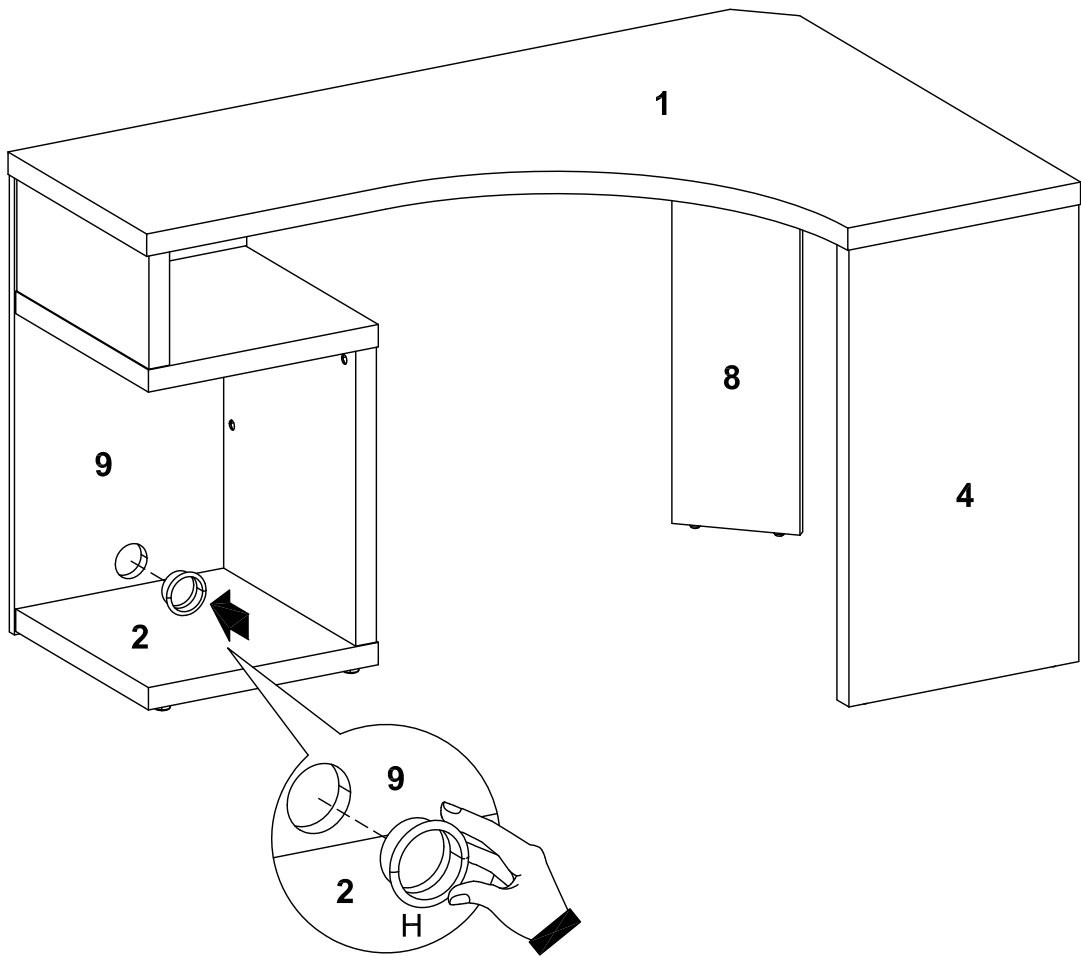
not supplied

15



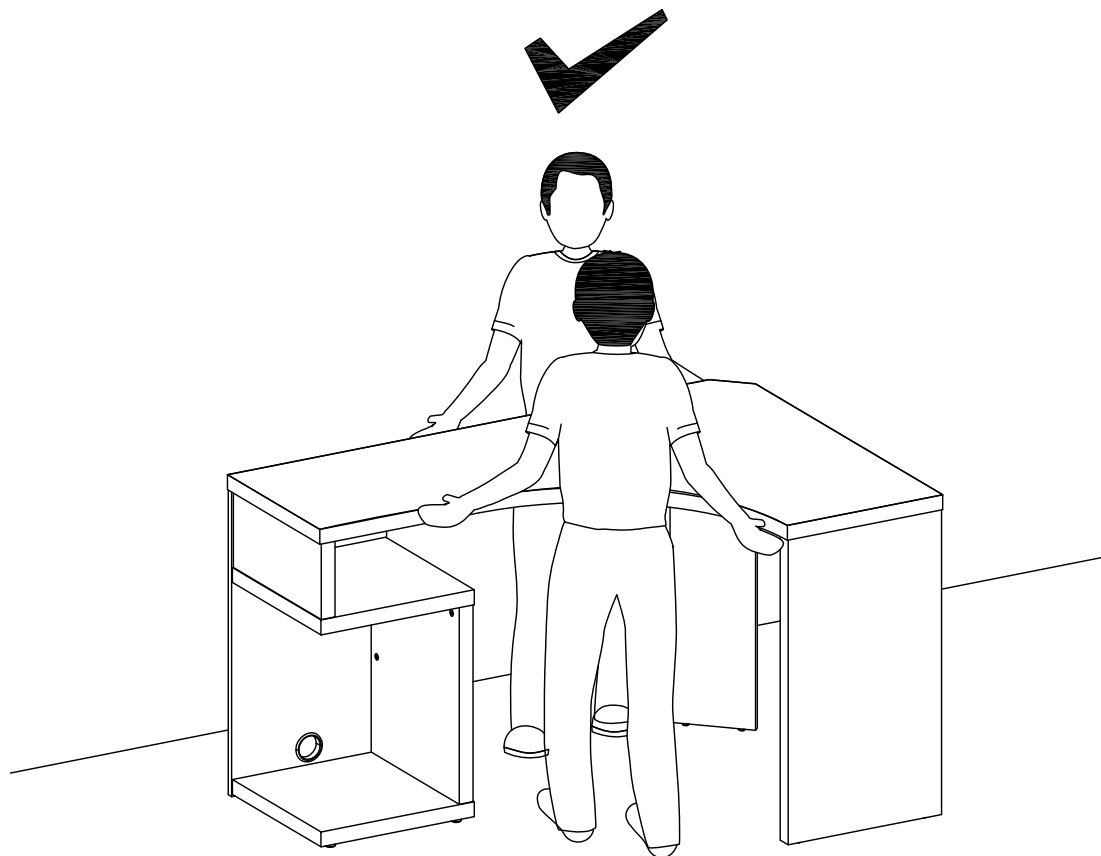
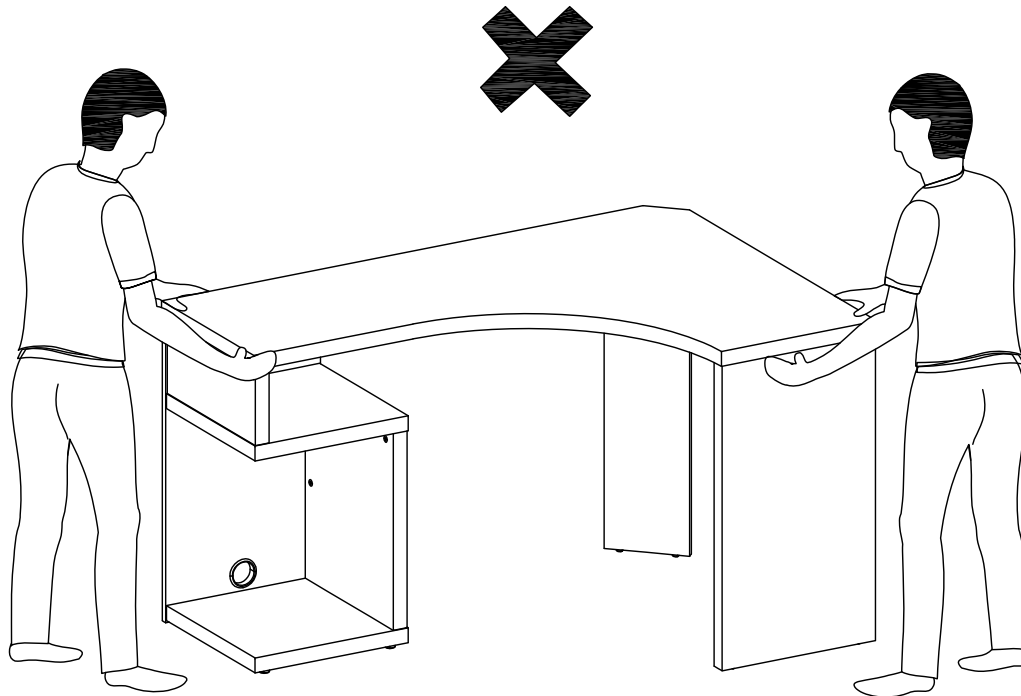
16





H x1





Actual product size
H75.5x W130x D90cm

