

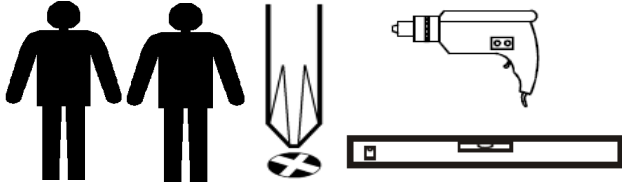
next

865742 HARTFORD SLIM

ASSEMBLY INSTRUCTIONS.

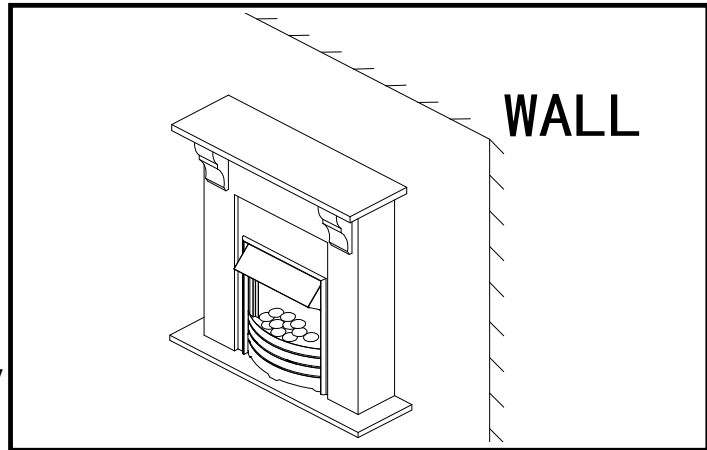
IMPORTANT - RETAIN FOR FUTURE REFERENCE - READ CAREFULLY.

Tools Needed



Helpline

If you have any problems with this product or require any replacement fittings please contact Customer Services
Tel: 0844 844 8999



Regrettably self assembly items cannot be returned once assembly is part or fully completed unless the item is found to be faulty. Should you need to return the unassembled product, please repack in the original packaging. Please see in ASSEMBLY INSTRUCTIONS GUIDE FOR REFERENCE.

IMPORTANT

- Suites are designed to be freestanding and should not be permanently secured or sealed to the wall.
- Read all instructions before using this heater. When using an electrical heating appliance basic precautions should always be followed to reduce the risk of fire, electric shock, and injury to persons, including the following:
 - This heater is hot when in use. To avoid burns, do not let bare skin touch hot surfaces. Keep combustible materials such as furniture, pillows, bedding, papers, clothes, and curtains at least 1 metre from the front of the heater and keep them away from the sides and rear.
 - Extreme caution is necessary when any heater is used by or near children or invalids and whenever the heater is left operating and unattended. The guard is to reduce the risk of fire or injury from burns and no part of it should be permanently removed. It does not give full protection for children or the infirm.
 - Always unplug the heater when not in use. To disconnect heater, turn controls to off, then remove the plug from the socket.
 - Do not operate a heater with a damaged power cord or plug or after a heater malfunctions, has been dropped or damaged in any manner. Return heater to authorised service facility for examination, electrical or mechanical adjustment.
 - Do not use this heater outdoors.
 - Do not use this heater in bathrooms, laundry areas and similar indoor locations (eg. shower or a swimming pool). Never locate heater where it may fall into a bathtub or other water container.
 - Do not run the power cord under carpeting. Do not cover the power cord with throw rugs, runners, or other like. Arrange the power cord away from traffic area and where it will not be tripped over.
 - Connect to properly earthed sockets only. The earth should comply with current IEE regulations.
 - Do not insert or allow foreign objects to enter any ventilation or exhaust opening as this may cause an electric shock or fire, or damage the heater.
 - To prevent a possible fire, do not block air intakes or exhaust in any manner. Do not use above soft surfaces, like a bed, where openings may become blocked.
 - Do not use the heater in areas where gasoline, paint, or flammable liquids are used or stored.
 - Use this heater only as described in this manual. Any other use not recommended by the manufacturer may cause fire, electric shock, or injury to persons.
 - Avoid the use of an extension power cord because this may overheat and become a fire hazard. If an extension cord must be used it should be a 13A extension cord.
 - The appliance must be positioned so that the plug is accessible. If you choose to chase the wire into the wall for cosmetic reasons and or to install the fire using a fuse spur connection then the manufacturer cannot be held liable for any charges arising from future decorative or re-installation costs should the fire require to be exchanged at a future date.
- This heater should not be used in a dusty environment.
- "Warning "in order to avoid over heating do not cover the heater.

- Do not leave babies and young children unsupervised near this fire (even when switched off). Because of the size of the coals/pebbles there is a risk of choking if a piece is swallowed.

Electrical – Before plugging into the mains, ensure the following:

- The appliance **MUST** be earthed.
- The appliances **MUST NOT** be situated directly below a fixed socket outlet.
- Check the voltage requirement of the fire accords with the local supply voltage.
- Do not use this heater in series with any device which would switch the heater on automatically, since a fire risk exists when the heater is accidentally covered or displaced.
- If the molded plug is removed it should be disposed of with the fuse removed, as there is a risk of electrical shock if inserted into another socket outlet.
- If the power cord needs to be changed, it can be accessed through the mains access cover. This work should only be done by a qualified electrician.

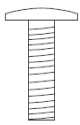
PRODUCT INFORMATION

- Made from solid wood and with black paint finish..
- Made in China

CARE INSTRUCTIONS

- For general cleaning, periodically dust with a soft cloth.
- Do not rub or scrub the surface when cleaning.
- Always use a non-silicone based furniture polish. Silicone in furniture polishes can break down the lacquer finish.
- Any spills should be removed immediately with a soft clean damp cloth and dried immediately.
- Ensure the product is protected with mats and coasters when items are placed on the surfaces, to prevent scratching or damage.
- Do not put hot dishes directly on the surfaces of the item.
- Avoid keeping furniture in direct sunlight or close to any heat sources as this can cause cracking, discolouration or warping.
- Never drag pieces of furniture across the floor as this will cause damage to the joints.
- All assembly fixings should always be tightened properly and periodically check all fixings and tighten if necessary.
- Wood will mellow and change colour over time; we recommend that ornaments are moved regularly to prevent uneven mellowing.
- Please do not apply adhesive substrates for example, sticky tape to the product.

FITTINGS



M6 x 30mm
A x 4



B x 2

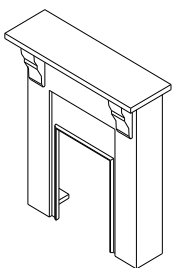


M3 X 12mm
C x 8

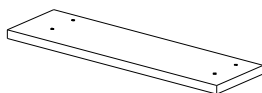


Ø6*30mm
D x 2

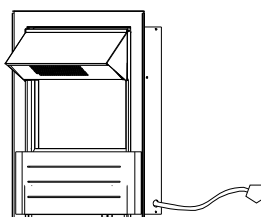
PARTS



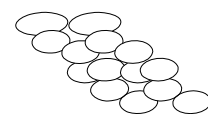
1- MANTEL



2 - HEARTH



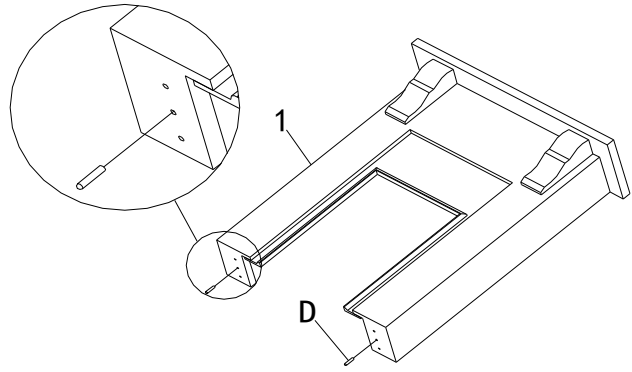
3 - ENGINE



4 - STONE

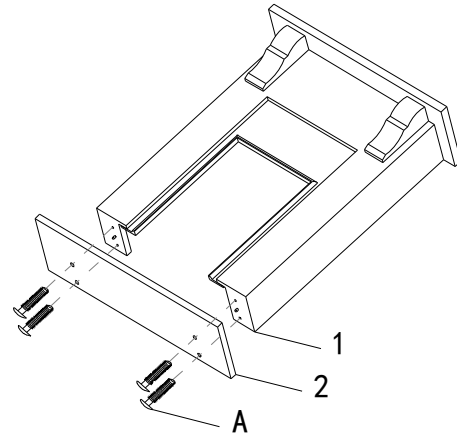
STEP ONE

1. Lay down the mantel (1) as shown in the diagram.
2. Insert 2 x dowels (D) into the mantel (1).



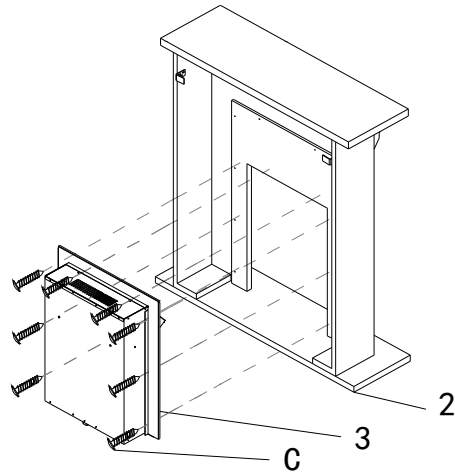
STEP TWO

1. Attach hearth (2) to mantel (1) with 4 x bolts (A) using a screwdriver to tighten.
2. Stand up the assembled unit carefully.



STEP THREE

1. Attach engine (3) to the assembled unit with 8 x screws (C). Tighten with a screwdriver.

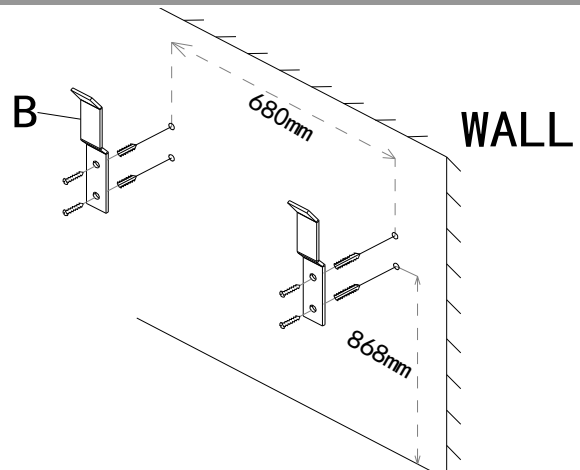


STEP FOUR

1. Use a pencil to mark the fixing position on the wall.
2. Drill four holes and insert an appropriate wall plug into each.
3. Secure 2 x brackets (B) to the wall with appropriate screws. Tighten with a screwdriver.

WARNING: Ensure the area to be drilled is free from hidden electrical wires and water or gas pipes.

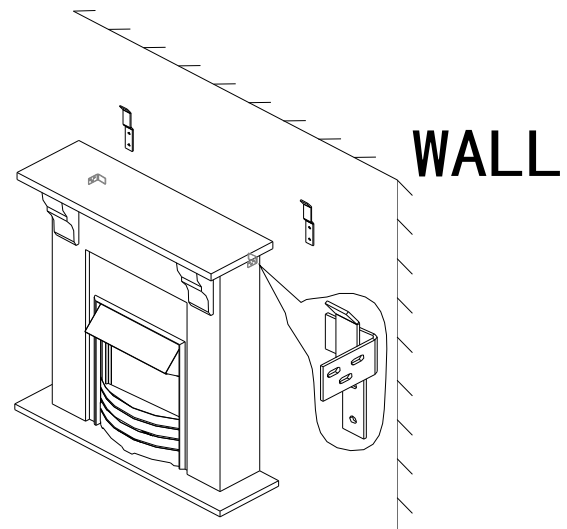
NOTE: Wall fixings are not included. Please source suitable wall fixings for your wall type, if in doubt consult a qualified tradesperson.



STEP FIVE

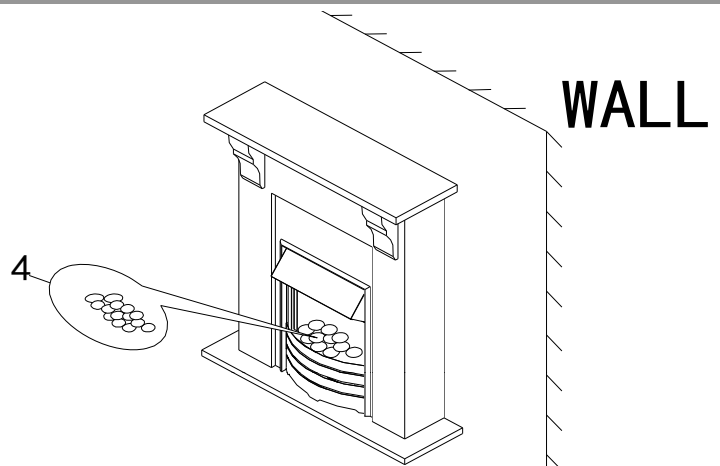
1. Lift the assembled unit on to the wall brackets as shown in the diagram.

NOTE: Two people are needed for this step and this will involve some angling of the suite to get the correct position.



STEP SIX

1. Evenly put stones on pebble bed of engine.



STEP SEVEN

1. The fire is ready for use through controlling the switches located underneath the canopy.

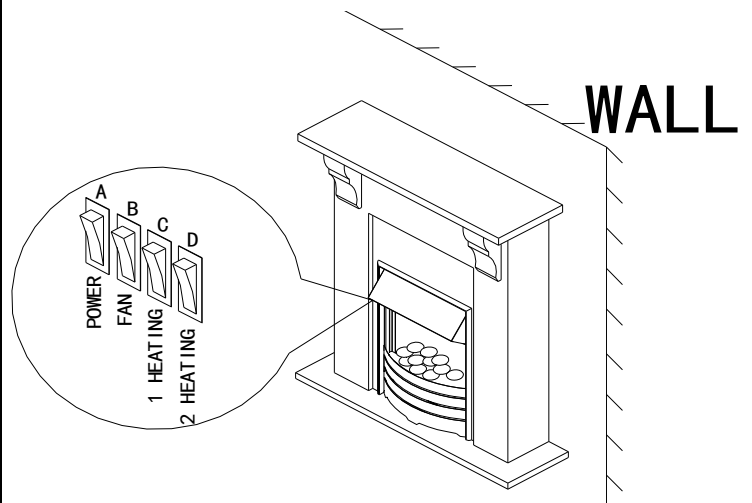
NOTE:

The switches will look like the diagram as shown. It is important to be aware that switches must be turned on in the correct sequences below:

'A' must be on prior to switching on 'B' to get cool wind.
'A & B' must be on prior to switching on 'C' to operate at 1KW.

'A & B & C' must be on prior to switching on 'D' to operate at 2KW.

Switching off 'A' will disable 'B & C & D'.



Heating Appliance Settings

SWITCHES	POS.	SETTING
A	POWER OFF	OFF
A	POWER ON	FLAME ONLY
A + B	FAN ON	FLAME + COOL WIND
A + B + C	1HEATING + FAN ON	FLAME + LOW HEAT (1KW)
A + B + C +D	1HEATING + 2HEATING + FAN ON	FLAME + HIGH HEAT (2KW)

MAINTENANCE

FAN UNIT (HEATER)

The fan heater has a thermostatic cut-out to prevent overheating. It should reset automatically after the appliance is switched off and on again at the mains. Allow 15 minutes to cool.

NOTE:

When in use, the fan will emit a faintly audible 'hum'. This is a normal feature of fan assisted air movement.

To reduce dust build up, the fan area must be regularly vacuum cleaned through the grill, with a soft brush nozzle, when the fire has been switched off and is cool.

• CARE

Metal The surfaces should be cleaned with a lightly dampened cloth. Abrasive creams should not be used.

Timber Dust with a soft, dry cloth. If necessary, polish with furniture wax. Avoid silicone based spray polishes.

Note: sunlight affects timber, giving a natural deepening colour. This 'mellowing' is traditionally considered to add to the beauty of wooden furniture

MDF Clean with a lightly dampened cloth or a non-abrasive domestic cleanser.

ILLUMINATED PEBBLE BED BULB REPLACEMENT

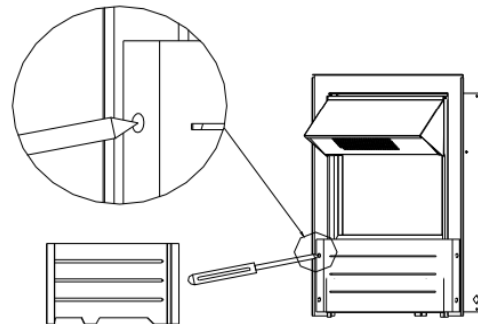
Bulbs have a limited life span and will require replacing as they expire.

CAUTION

- Bulbs can be very hot, handle with care. Allow bulbs to cool before attempting to replace.
- Before undertaking any maintenance or cleaning, unplug or disconnect fire from the socket outlet.

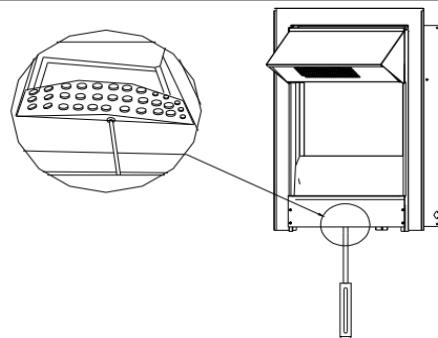
STEP ONE

1. Take the fence off by unscrewing 4 x screws.



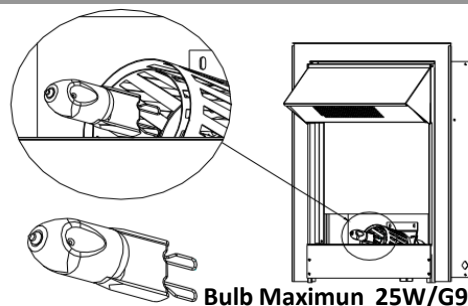
STEP TWO

1. Unscrew 1 x screw to take the pebble bed off.



STEP THREE

1. Plug out the bulb from the lamp holder and replace with a new one. Re-fit the pebble bed and fence. Put the stones back to the pebble bed.



TROUBLESHOOTING

PROBLEM	DIAGNOSIS	CORRECTION
No flame effect or fan operation	Suggests an electrical supply problem	<ul style="list-style-type: none">• Is the appliance plugged in and switched on at the mains? Are the switches on the fire correctly set?• Check the fuse in the plug. Replace as necessary.• Check that the socket functions correctly with other appliances.
Fan heater and flame effect have stopped whilst in operation	Suggests the action of the thermostatic cut out	Ensure the air supply and venting are not restricted. The cut out will automatically reset after being switched off and on at the mains. Allow 15 minutes to cool.
No or poor illumination of pebble bed	Suggests bulb failure	Locate the failed bulb by removing the pebble bed and then replace the bulb.

ENVIRONMENTAL PROTECTION

Waste electrical products should not be disposed of with household waste. Please recycle.

Where facilities exist. Check with your Local Authority or retailer for recycling advice.

YOUR APPLIANCE IS GUARANTEED FOR ONE YEAR FROM THE DATE OF PURCHASE AGAINST ANY MANUFACTURING DEFECT (BULBS HAVE A LIMITED LIFE-SPAN AND WILL REQUIRE REPLACEMENT EVENTUALLY. THIS IS NOT REGARDED AS A DEFECT). IF YOU ENCOUNTER A PROBLEM, PLEASE CONTACT CUSTOMER SERVICES.

RATING INFORMATION

Volts: ~220-240V / 50Hz

Lamp: G9 25W / ~240V

Heating Elements: 2000 W

IMPORTANT

The wiring in this mains lead is colored in accordance with the following code:

European Fires (CE approved)

EARTH: GREEN and YELLOW

NEUTRAL: BLUE

LIVE: BROWN

Replacement fuse must conform to British Standards and be rated at 13A.

