

next

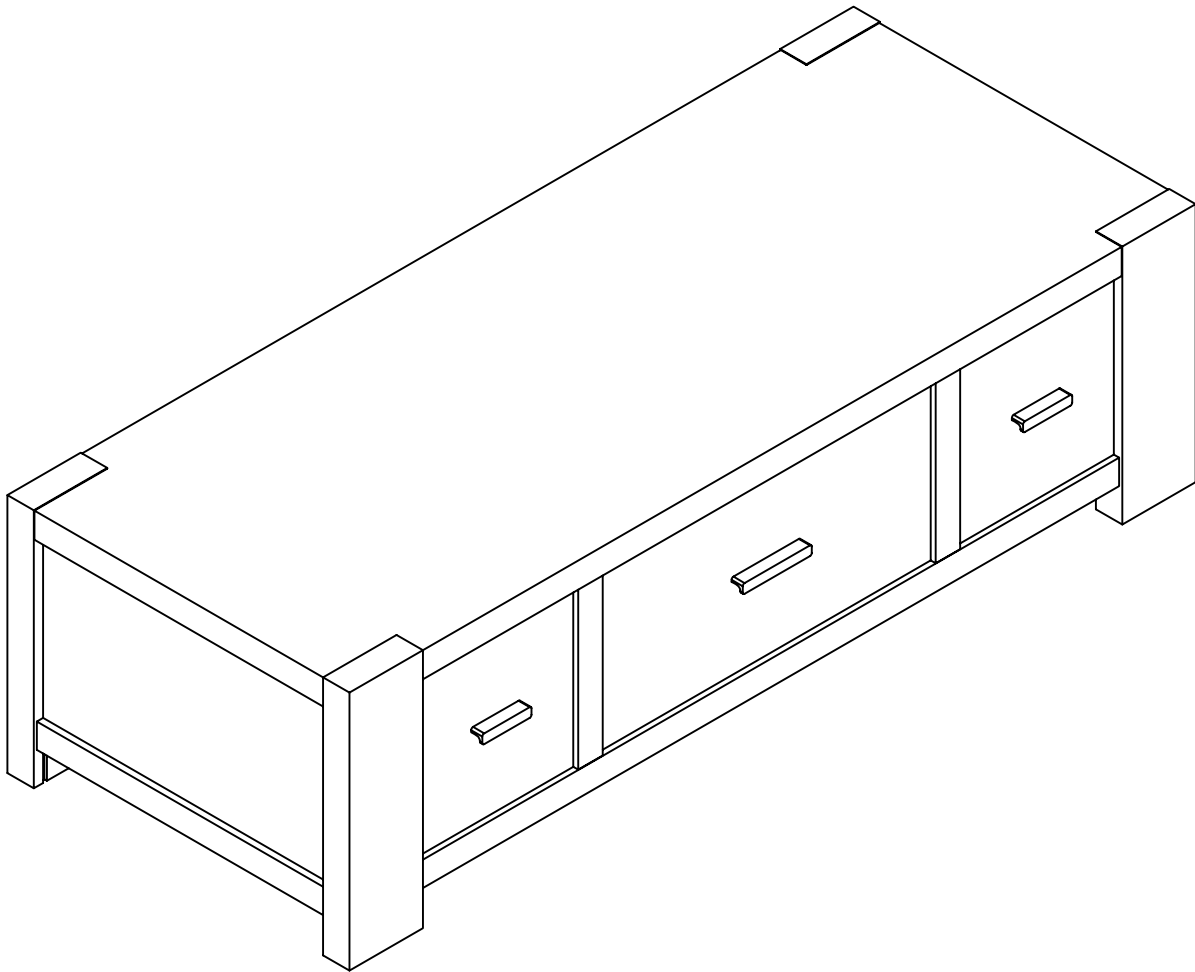
# CORSICA COFFEE TRUNK

896938

Assembly instructions

**Actual product size**

H39x W136x D55cm



## Need Help ?

With: Assembly instruction  
Missing or damaged parts

**IMPORTANT - RETAIN FOR FUTURE REFERENCE**

**CALL: 0333 777 8999**

## BEFORE YOU START

### Warnings

We suggest you retain these instructions for future reference.

Gloss finishes are prone to light surface scratches and it is therefore very important that you care for this item correctly.

Keep fittings out of children's reach and keep children well away from construction area.

This product should only be used on firm level ground.

Please periodically check all fittings and re-tighten as necessary.

Please do not sit or stand on your furniture.

Avoid exposing the furniture to excessive heat or direct sunlight as this can cause deterioration of the colour.

Unwrap all packaging materials and place the components on top of the carton box or on a clean floor to protect it from damage

### Do's

We suggest you spend a short time reading through this leaflet before you start.

When you are ready to start, make sure that you have the right tools and plenty of space.

Unwrap all packaging materials and place the components on a clean surface to protect it from damage, We recommend that the packaging is used to protect the surfaces during assembly.

Carefully check that you have all the parts before beginning assembly.

Due to the size of this product we recommend that it is assembled in the room intended for use.

Ensure the product is fully assembled as illustrated and all fixings fully tightened before use.

Wipe occasionally with a soft cloth slightly dampened with water. Then buff with a dry clean soft cloth.

For general cleaning, periodically dust with a soft clean lint-free cloth or a soft micro fibre cloth (ie, e-cloth brand or similar). Please note some cloths (including yellow dusters) contain abrasive fibres which can lightly scratch the surface, if in doubt please try your cloth in an inconspicuous area of the furniture first to assess its suitability. A sample of a suitable cloth for cleaning is included within the hardware pack.

Wood will mellow and change colour over time, we recommend that ornaments and items placed on the surface are moved regularly for the first few months to prevent uneven mellowing.

### Don'ts

Do not drag or pull your furniture.

Do not rub or scrub the surface when cleaning.

Do not use silicone based furniture polish. Silicone in furniture polishes can break down the finish.

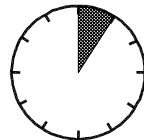
Never allow any kind of liquid to remain on your furniture. Absorption can cause wood to warp or finishes to de-laminate.

Do not place hot items (e.g. hot drinks) directly on to the wood surface. Please make sure you use a placemat or coaster.

### Number of people required to assemble

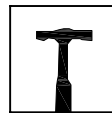
Two people are required to assemble this item

### Time to assemble

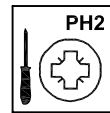


1 hour

### Tools required



not supplied



not supplied

### Missing parts

If you are missing any fixtures and fittings for your product. Please contact our customer service team on 0333 777 8999 and they will be happy to arrange for a replacement to be sent to you free of charge.

### Home service technicians

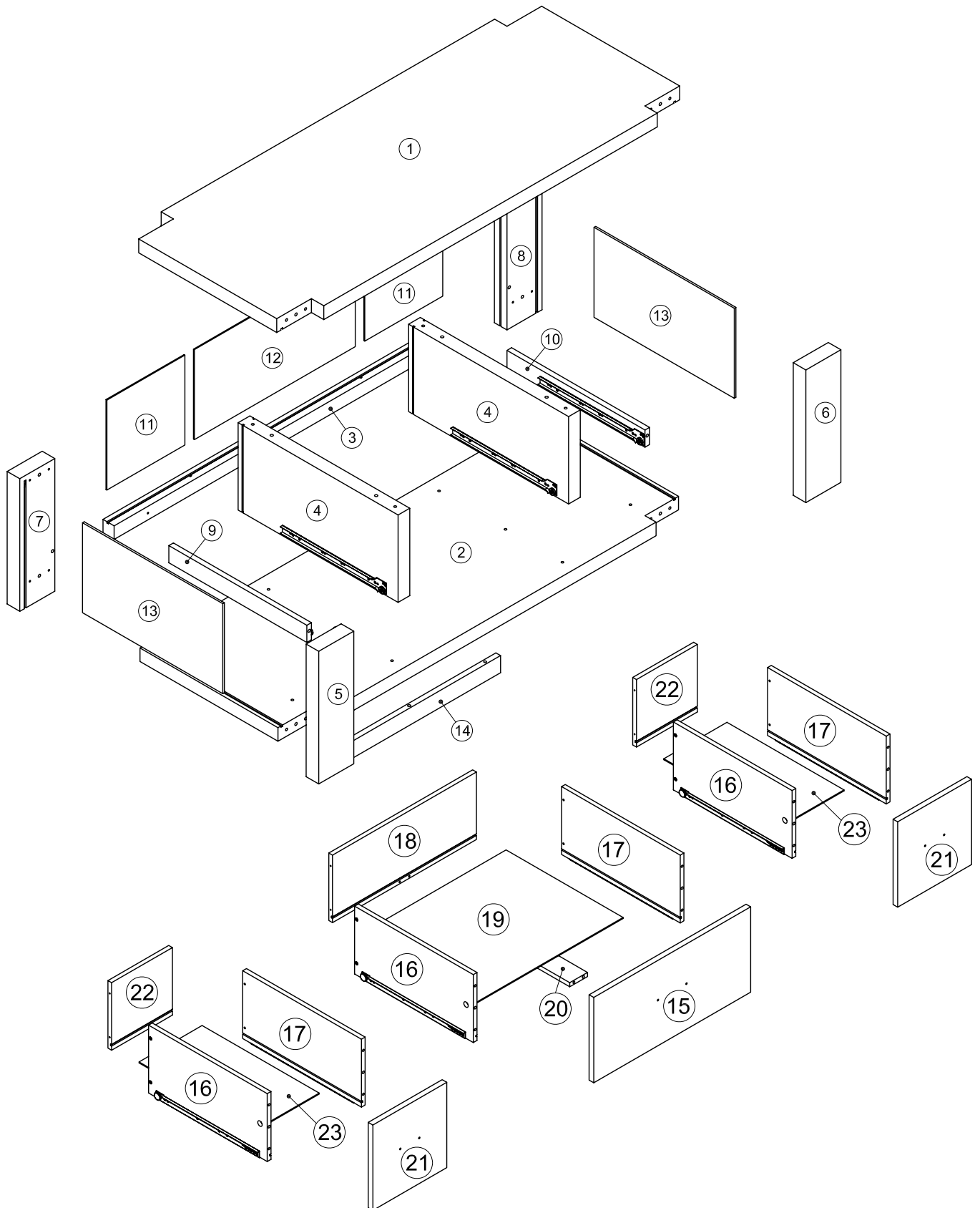
If you have a fault with your product, please contact our customer service team on 0333 777 8999. If you have had the product for 28 days or less you may be offered a replacement, refund or for a fully trained home service technician to visit your home to assess the fault and repair the product where possible. If you have had the product for more than 28 days we will send an independent home service technician to review and repair the product where possible and recommend further action.

### You can write to us at

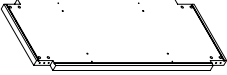
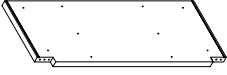









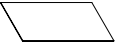


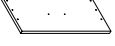


Home Customer Services  
Next Retail Ltd.  
Desford Road,  
Leicester,  
LE19 4AT


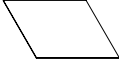




To view our full furniture range please visit [www.next.co.uk](http://www.next.co.uk)

### GETTING TO KNOW YOUR PRODUCT



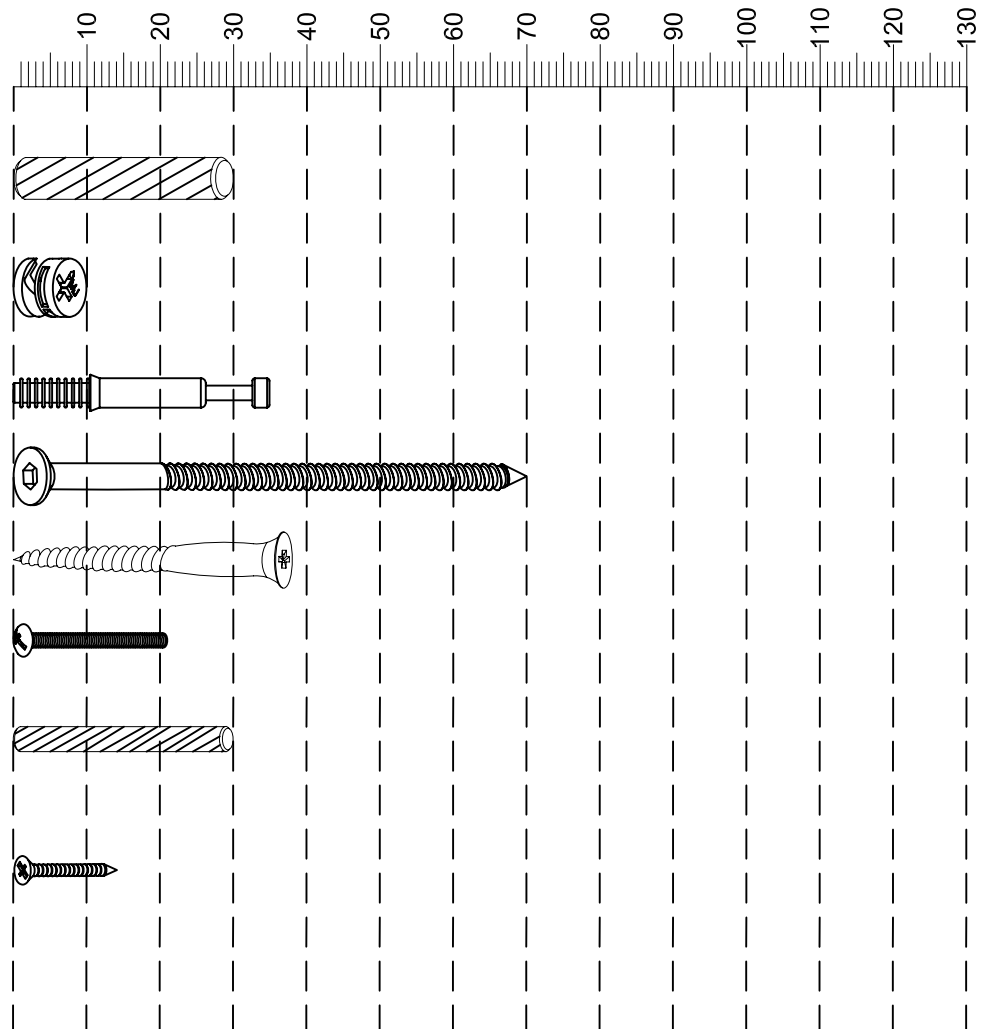
Components supplied. Please use this guide if you require replacement parts.

Ref	Dimensions	Visual	Qty
1	55 x 136cm		1
2	50 x 135cm		1
3	4 x 112cm		1
4	26 x 54cm		2
5	12 x 39cm		1
6	12 x 39cm		1
7	12 x 39cm		1
8	12 x 39cm		1
9	5 x 46cm		1
10	5 x 46cm		1
11	26 x 26cm		2
12	26 x 54cm		1
13	26 x 47cm		2
14	5 x 60cm		1
15	25 x 53cm		1
16	20 x 40cm		3
17	20 x 40cm		3

Ref	Dimensions	Visual	Qty
18	20 x 49cm		1
19	39 x 49cm		1
20	6 x 39cm		1
21	25 x 25cm		2
22	20 x 21cm		2
23	21 x 39cm		2

Fixtures and fittings supplied (actual size)

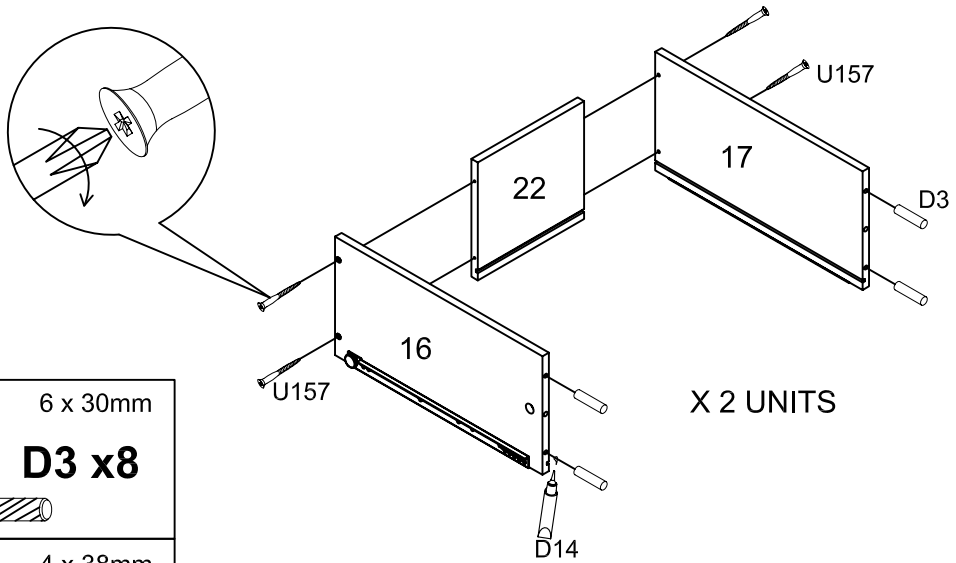
Ref	Dimensions	Qty
D6	8 x 30mm	17
B1	15 x 10mm	32
B7	7.5 x 35mm	32
Y14	6 x 70mm	12
U157	4 x 38mm	14
Z14	4 x 21mm	6
D3	6 x 30mm	13
U40	3 x 14mm	14



Fixtures and fittings supplied ( not to scale)

Ref	Dimensions	Visual	Qty
T1	4mm		1
D14	N/A		2
E30	N/A		2
E31	N/A		1
T38	N/A		14

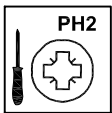
1



not supplied

6 x 30mm

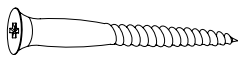
**D3 x 8**



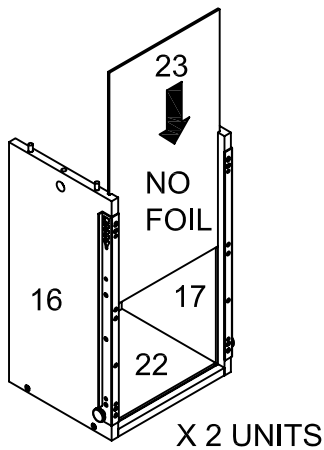
not supplied

4 x 38mm

**U157 x 8**

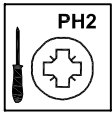
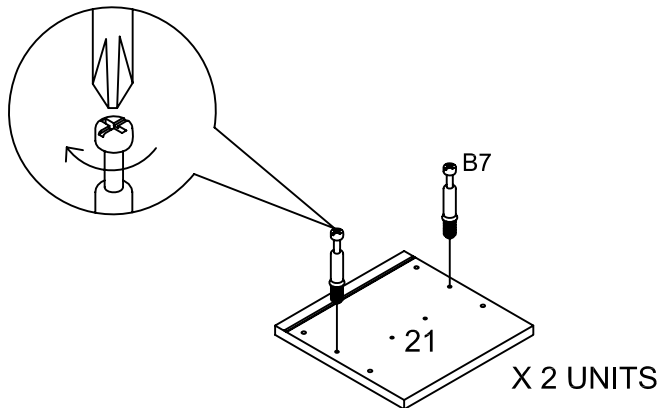
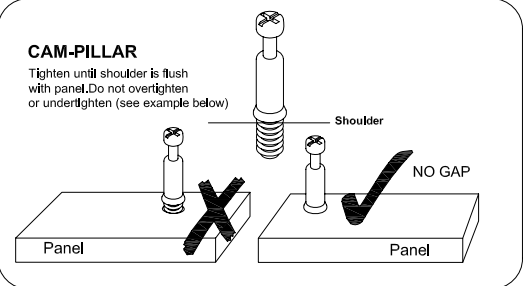


2



**CAM-PILLAR**

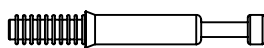
Tighten until shoulder is flush with panel. Do not overtighten or undertighten (see example below)



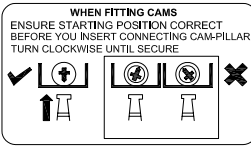
not supplied

7.5 x 35mm

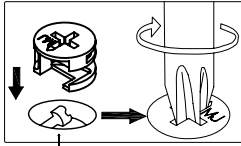
**B7 x 4**



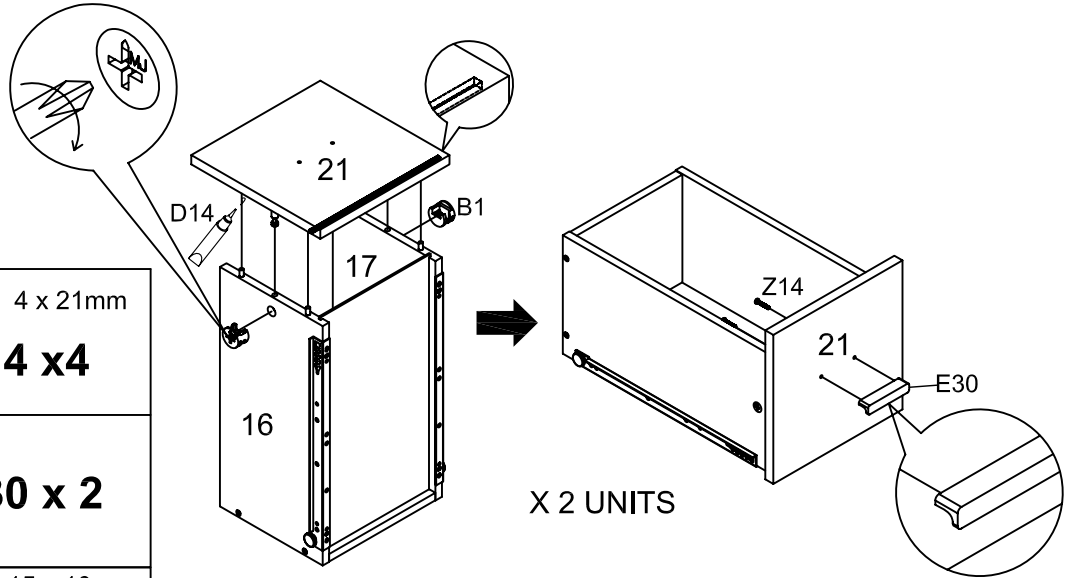
3



Align with long point of cross



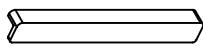
Pillar head needs to be in centre



not supplied

4 x 21mm

**Z14 x4**



**E30 x 2**



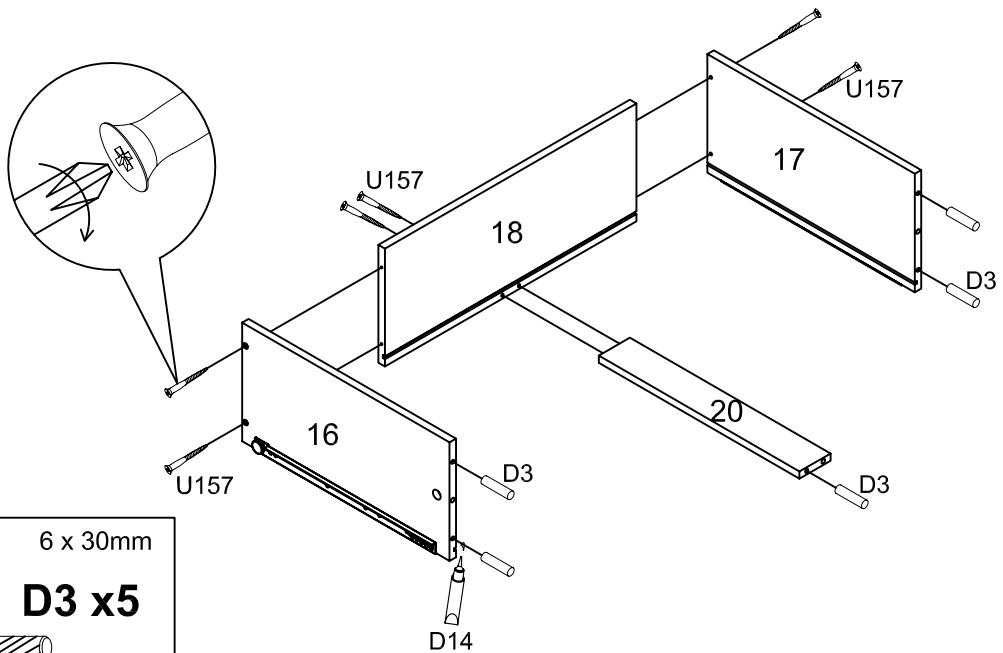
not supplied

15 x 10mm



**B1 x4**

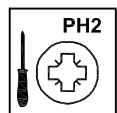
4



not supplied

6 x 30mm

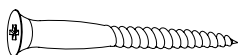
**D3 x5**



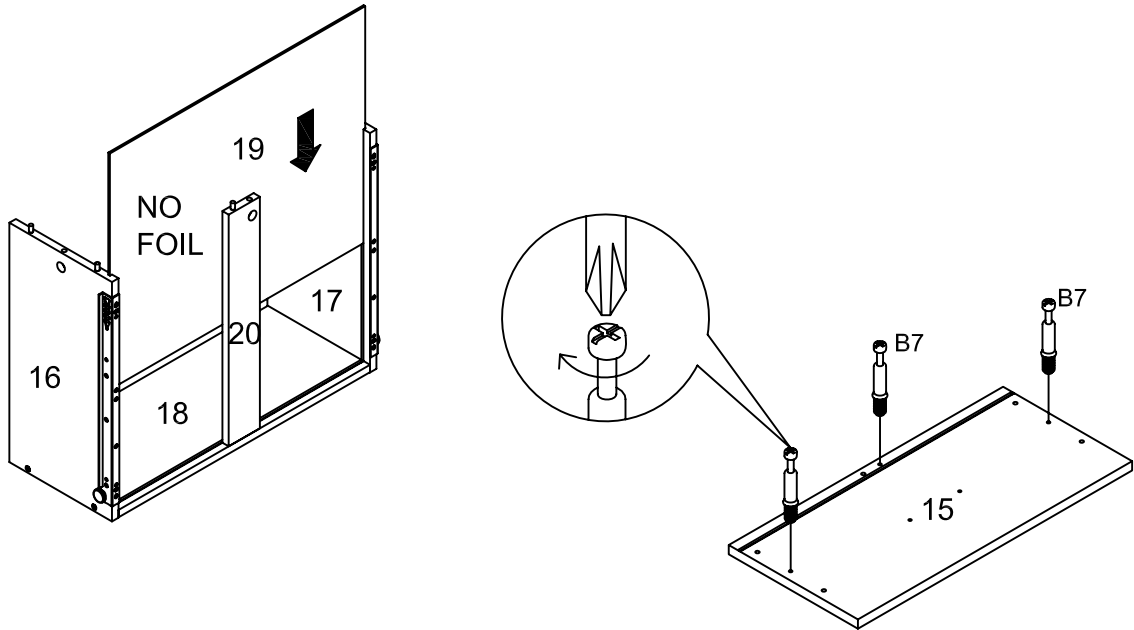
not supplied

4 x 38mm

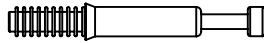
**U157 x 6**



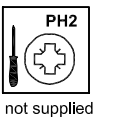
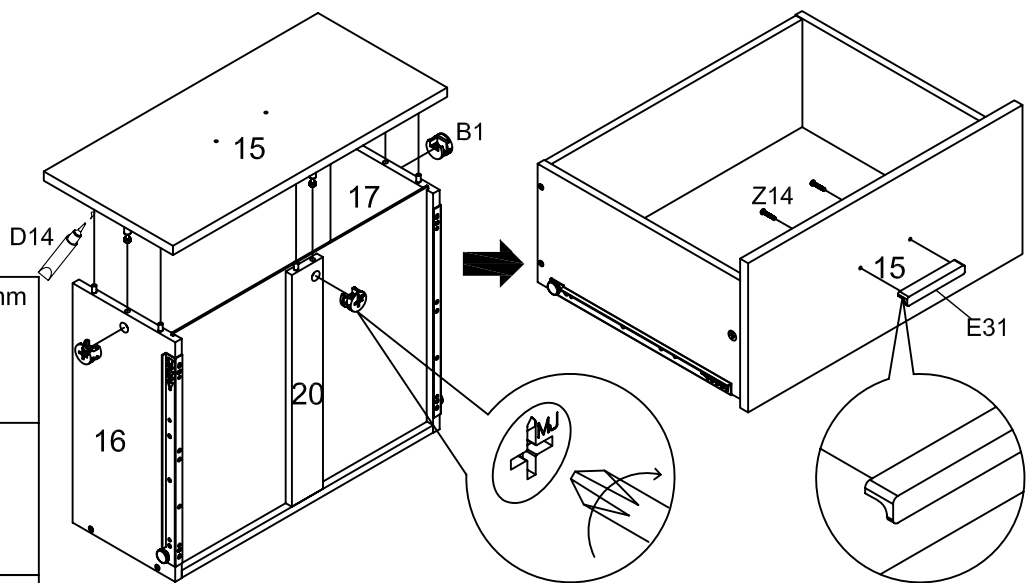
5



7.5 x 35mm  
**B7 x 3**



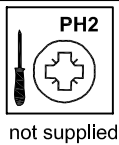
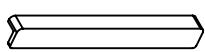
6



4 x 21mm  
**Z14 x 2**



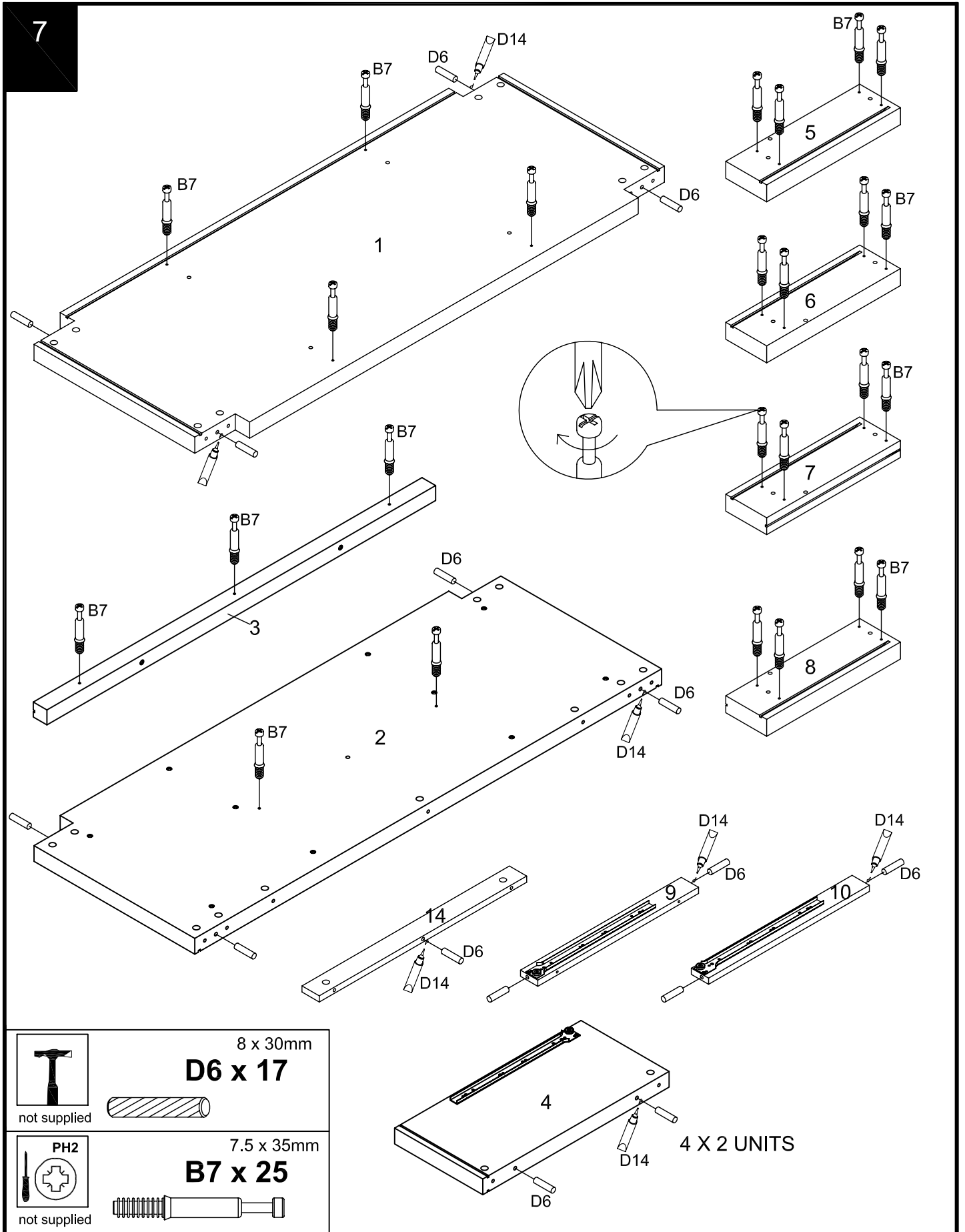
**E31 x 1**



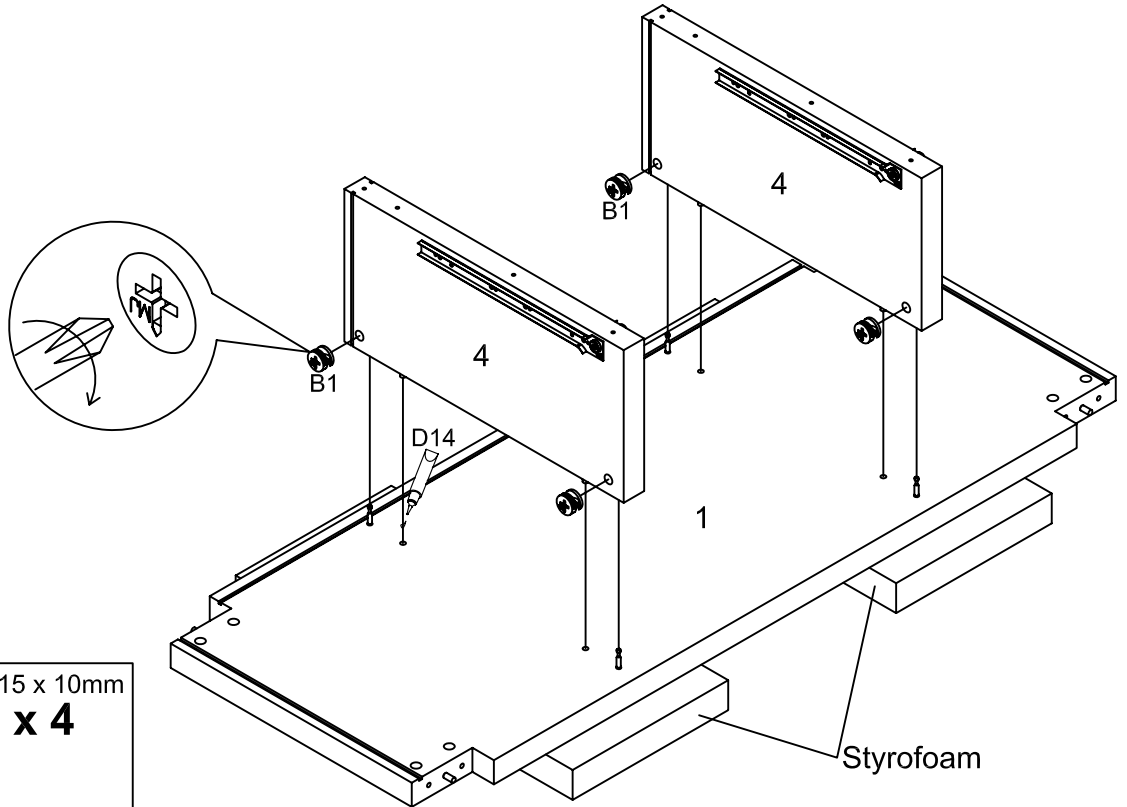
15 x 10mm  
**B1 x 3**







8



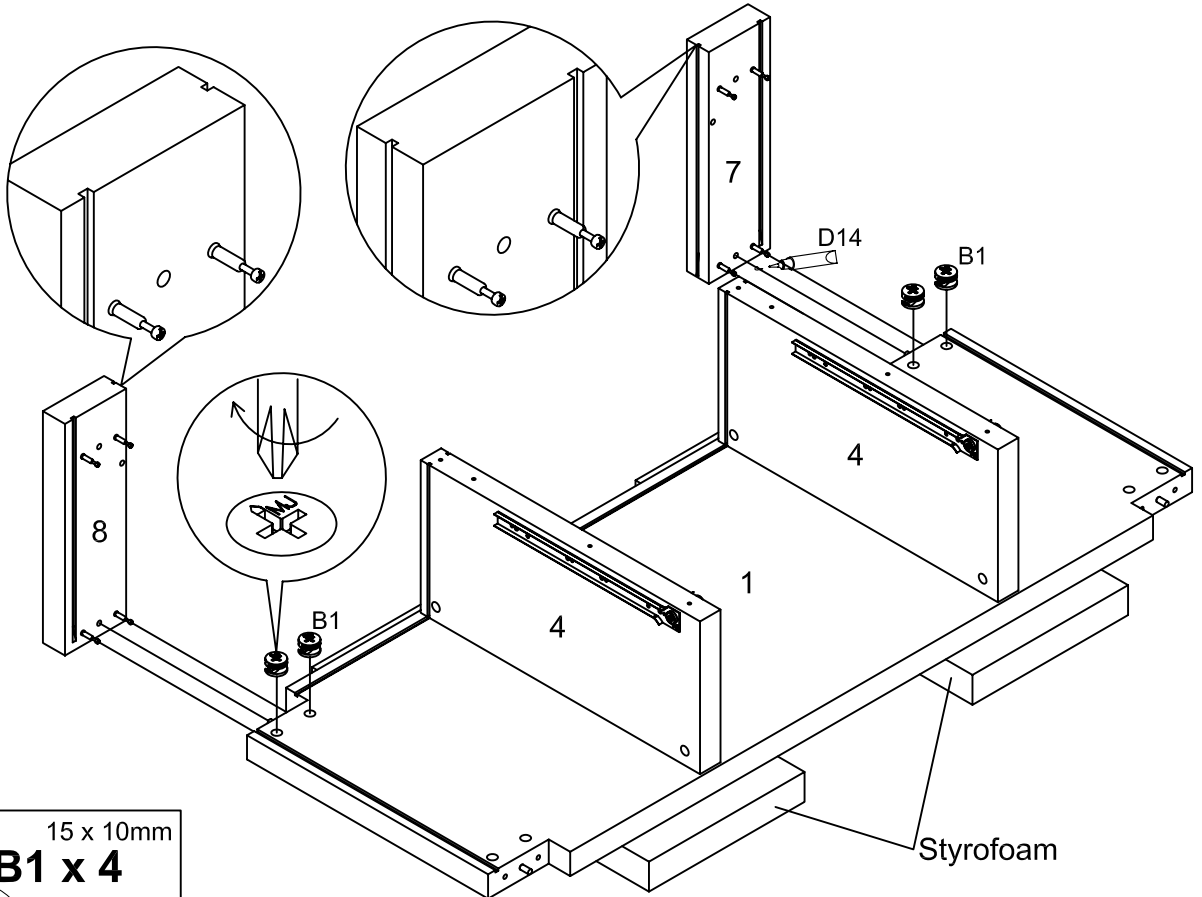
not supplied



15 x 10mm

**B1 x 4**

9



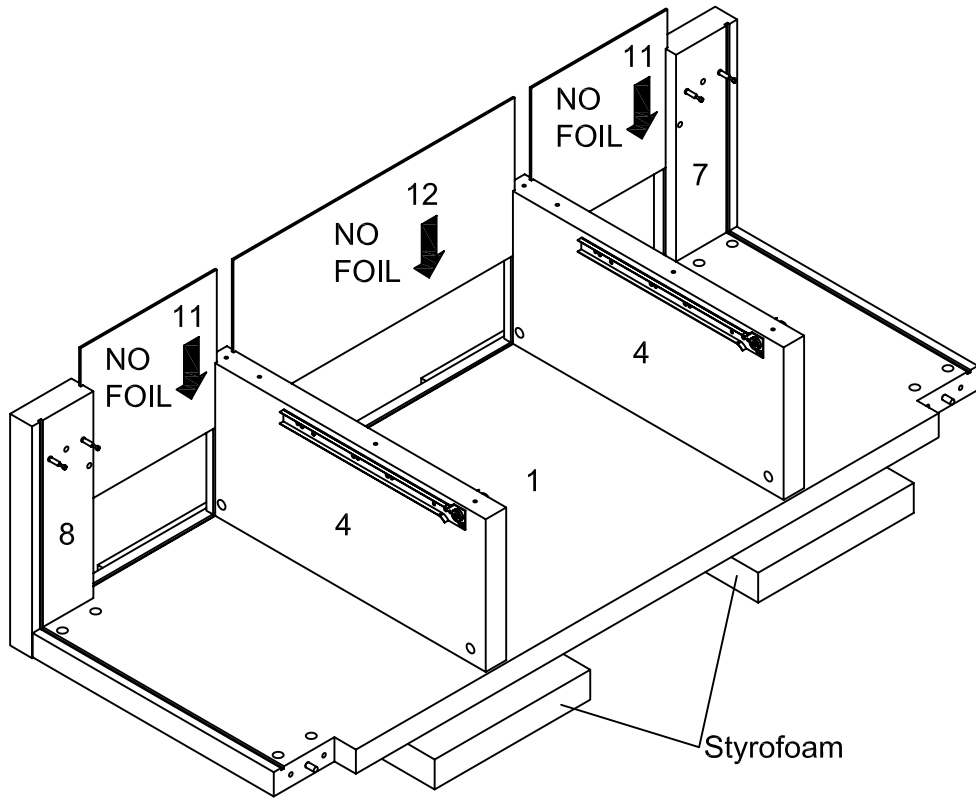
not supplied



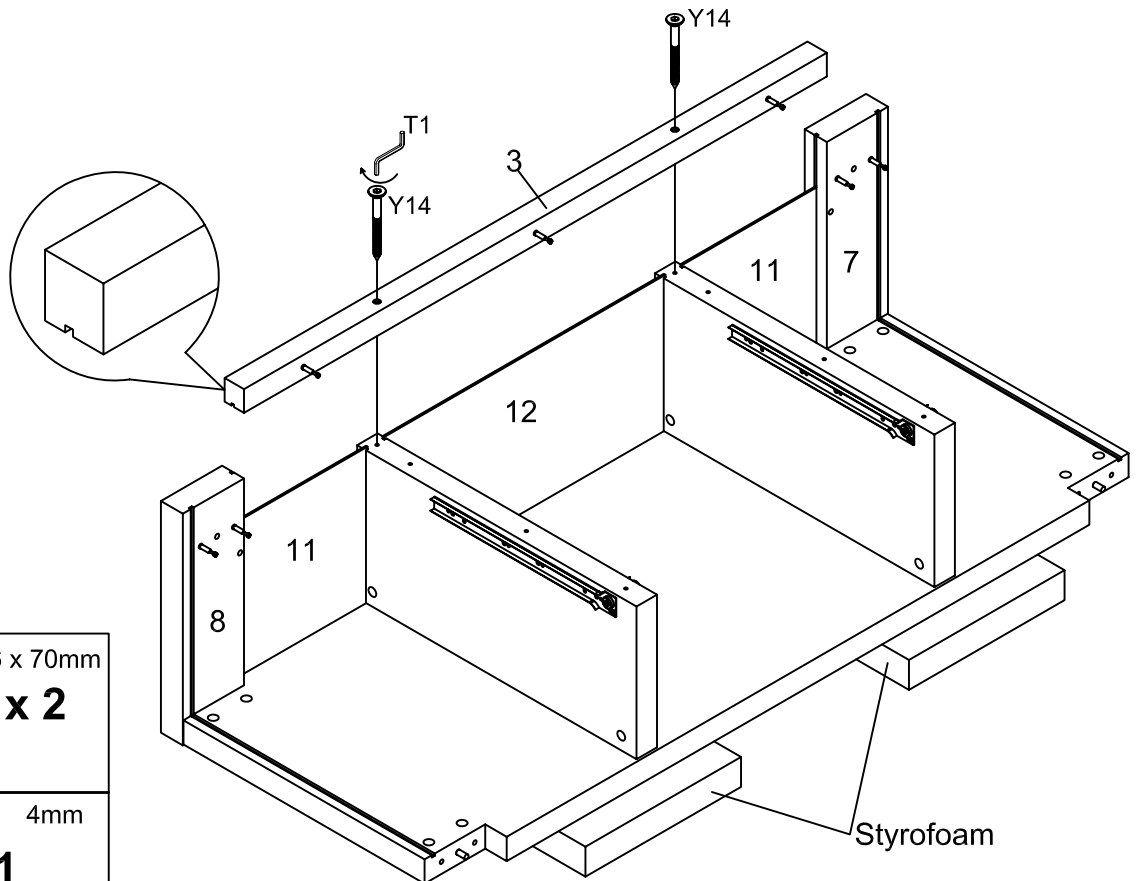
15 x 10mm



**B1 x 4**

10

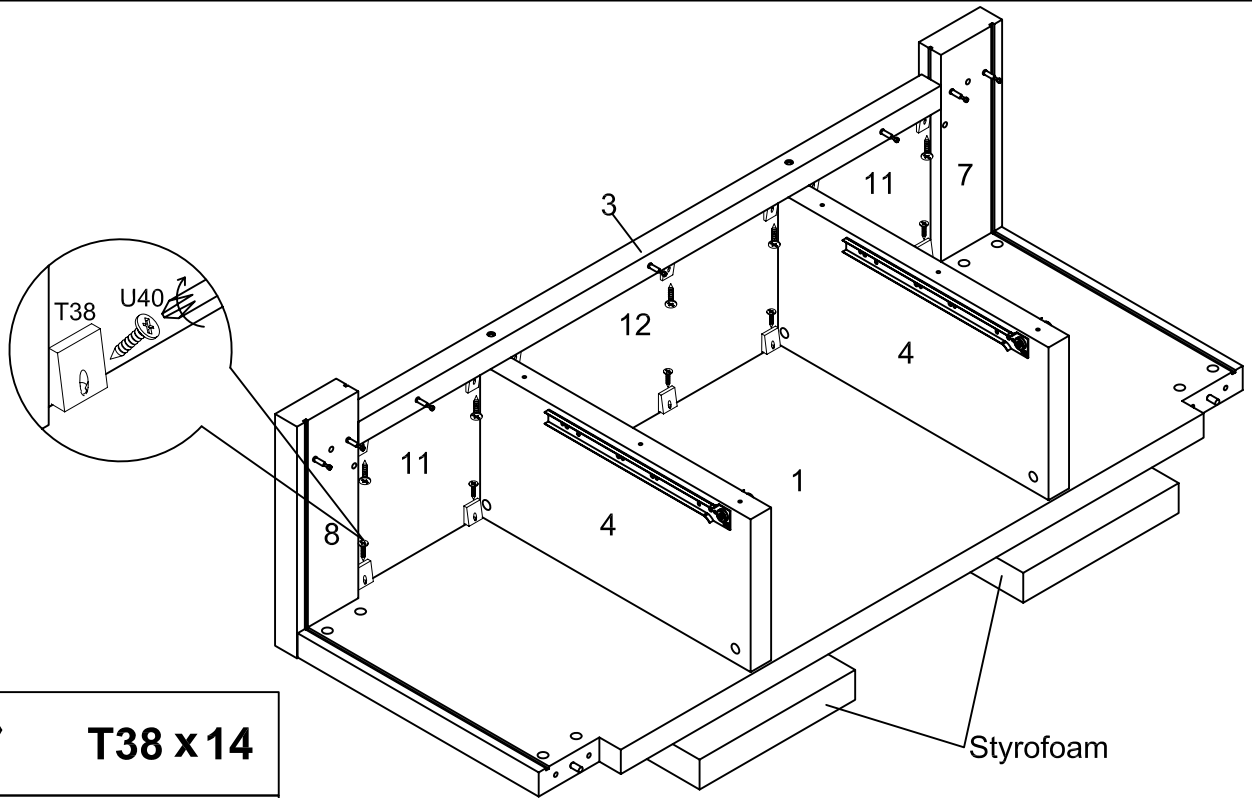


11



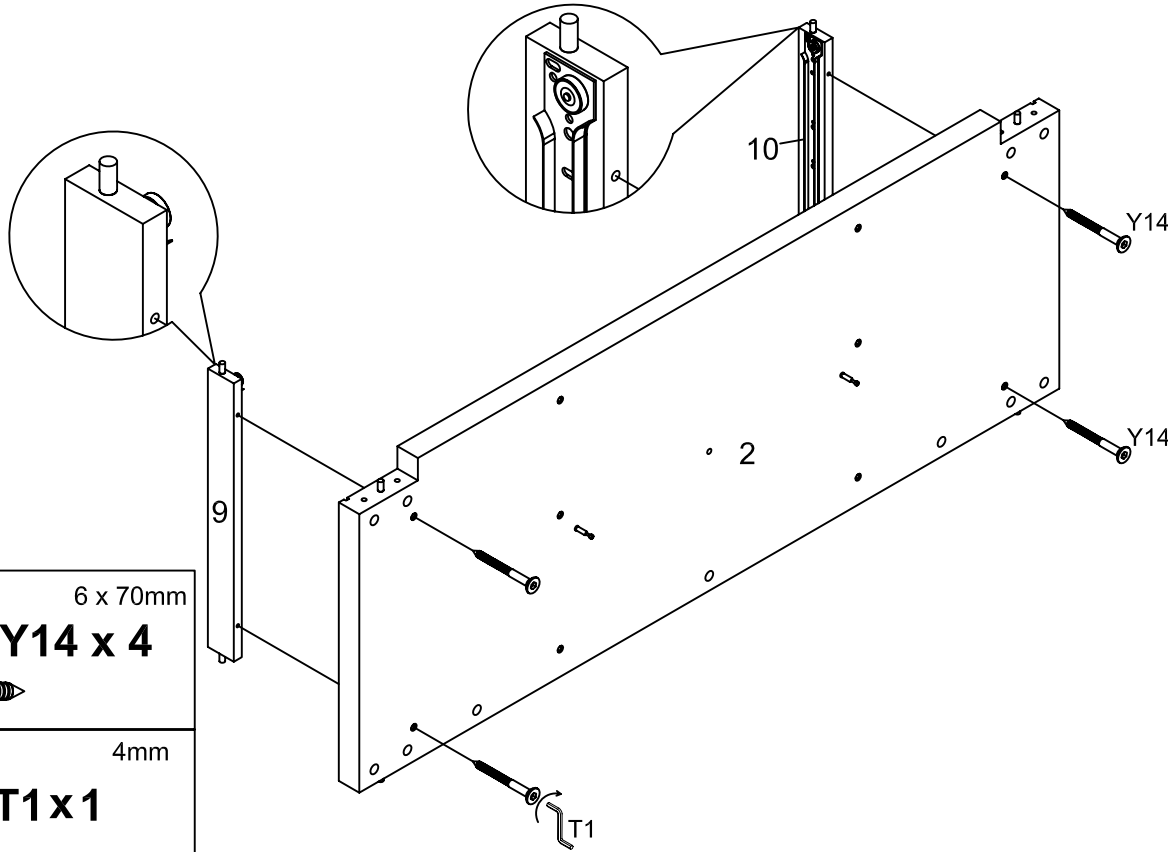
	6 x 70mm
	<b>Y14 x 2</b>
	4mm
	<b>T1 x 1</b>

12



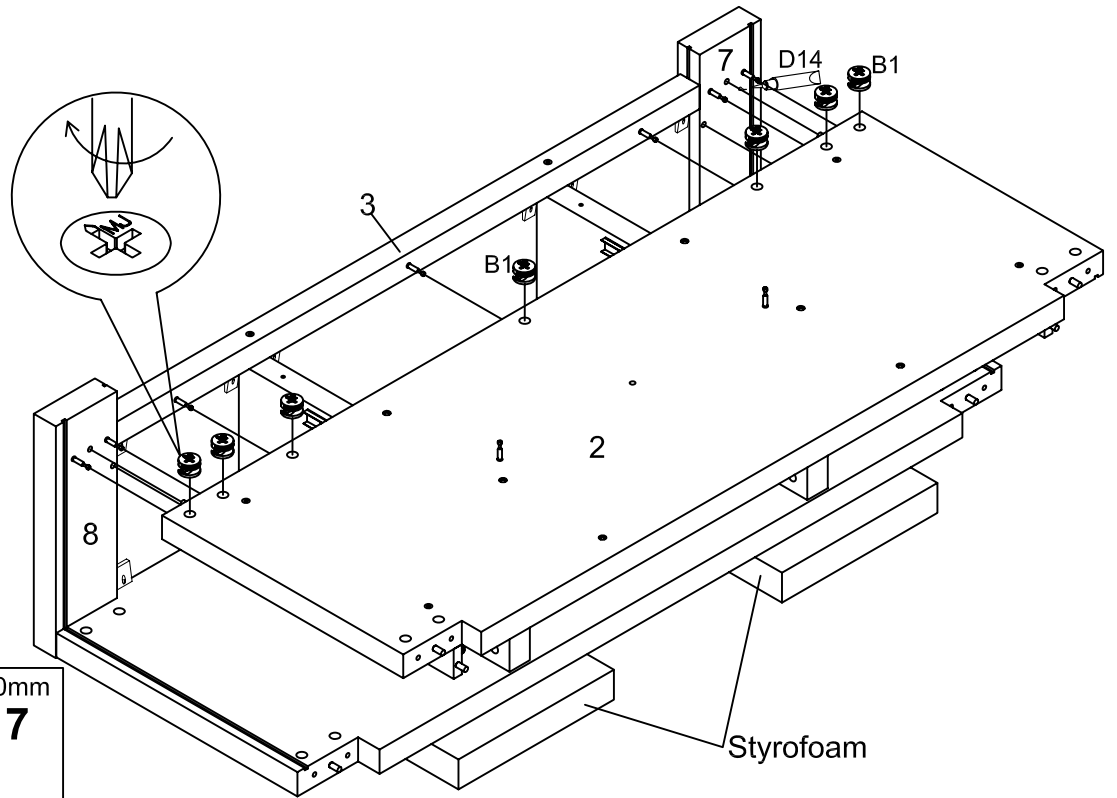
	<b>T38 x 14</b>
	3 x 14mm
	<b>U40 x 14</b>
not supplied	

13



	6 x 70mm
	<b>Y14 x 4</b>
	4mm
	<b>T1 x 1</b>

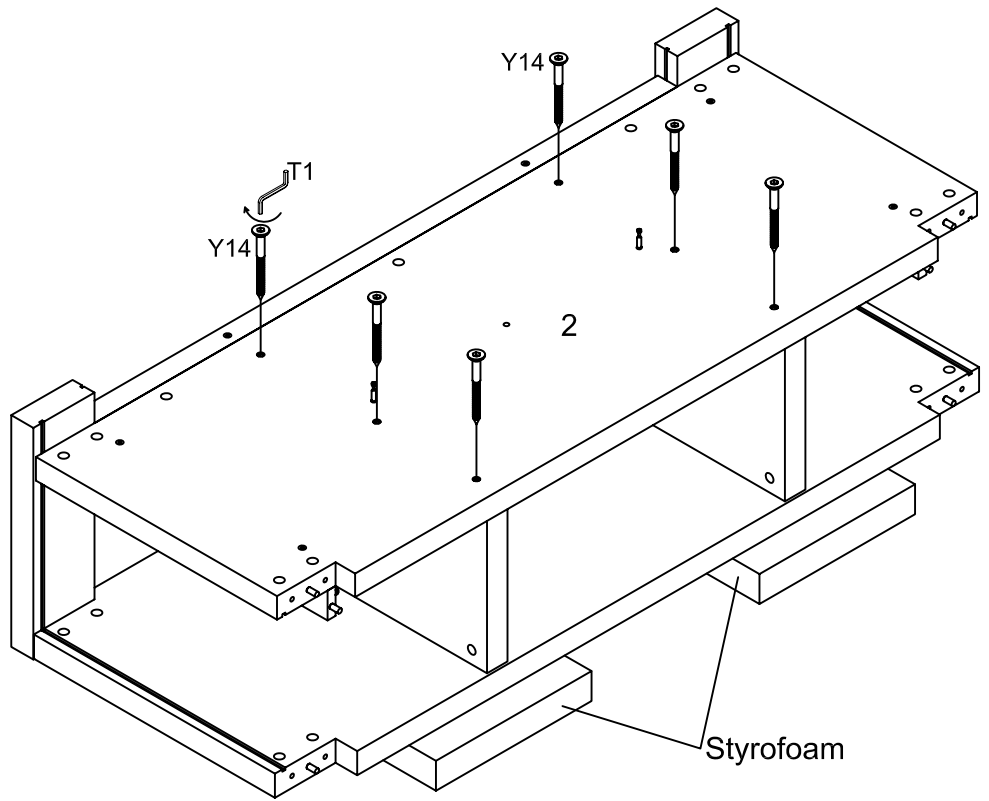
14



PH2  
not supplied

15 x 10mm  
**B1 x 7**

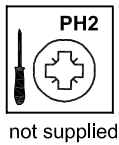
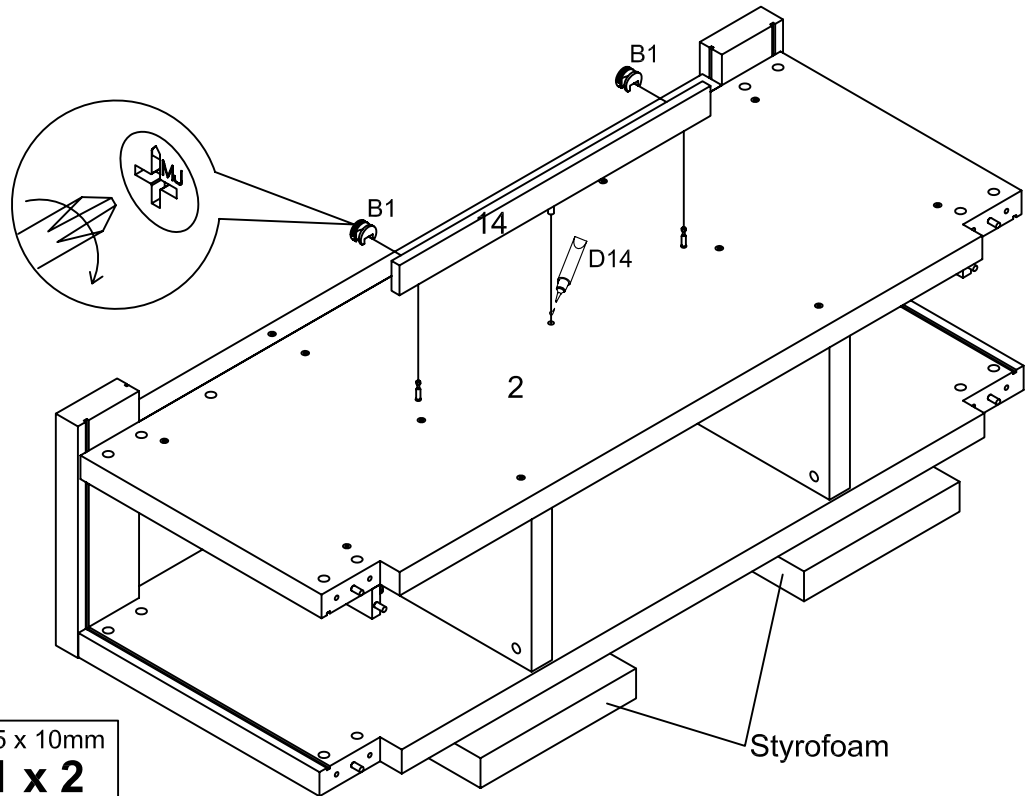
15



6 x 70mm  
**Y14 x 6**

4mm  
**T1 x 1**

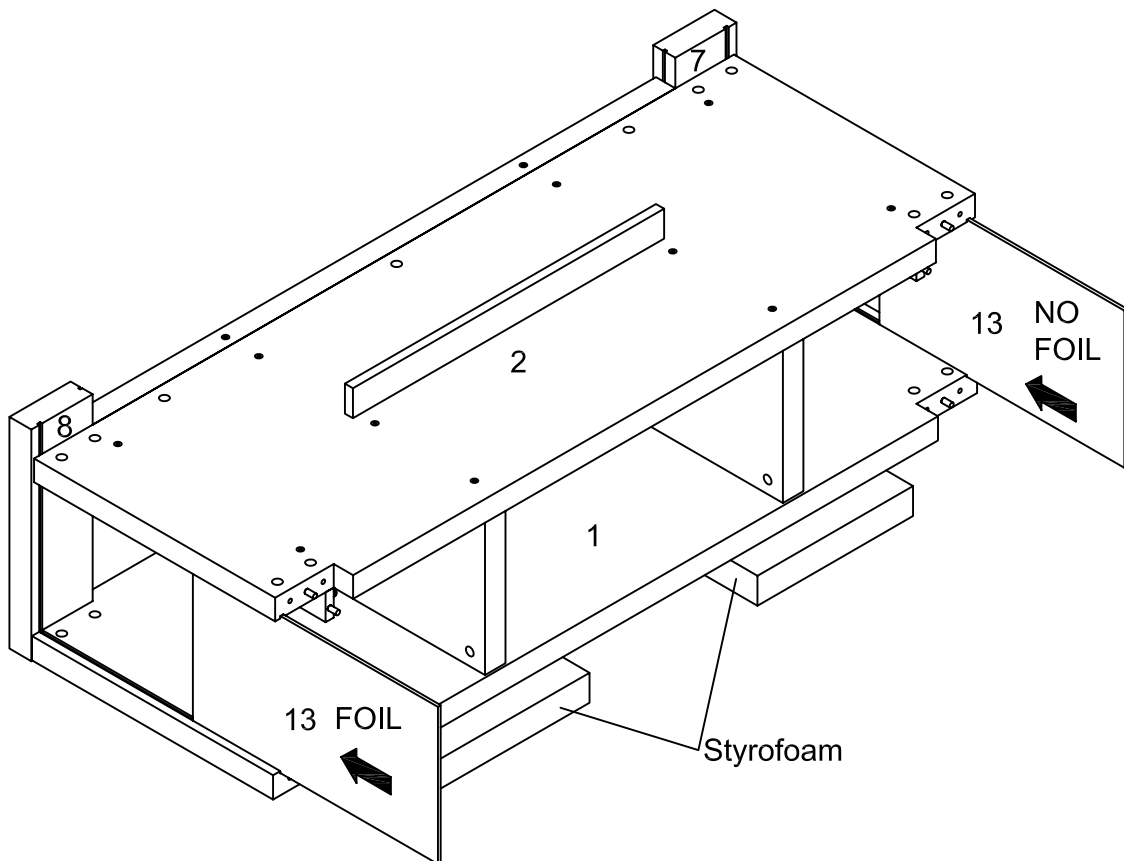
16



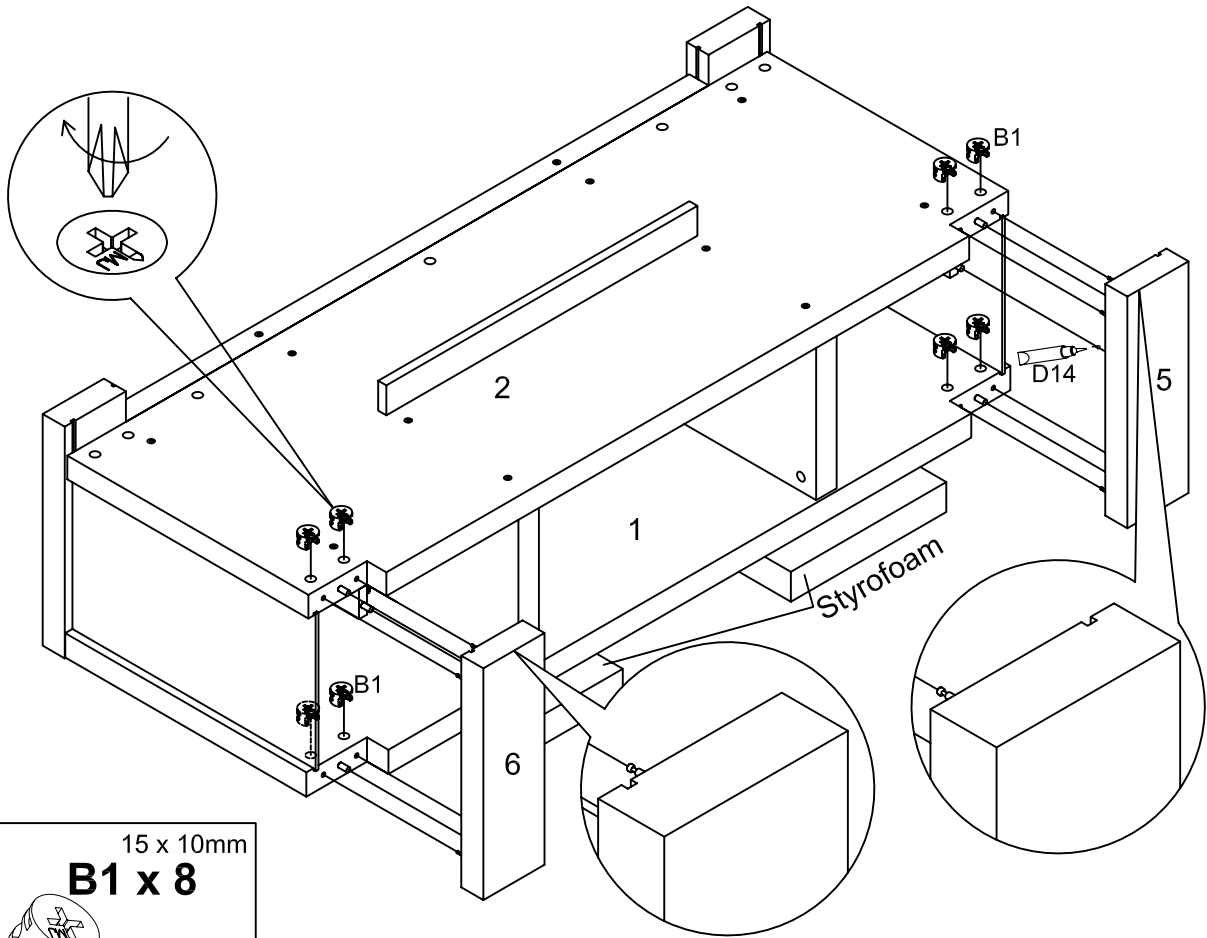
15 x 10mm  
**B1 x 2**



17



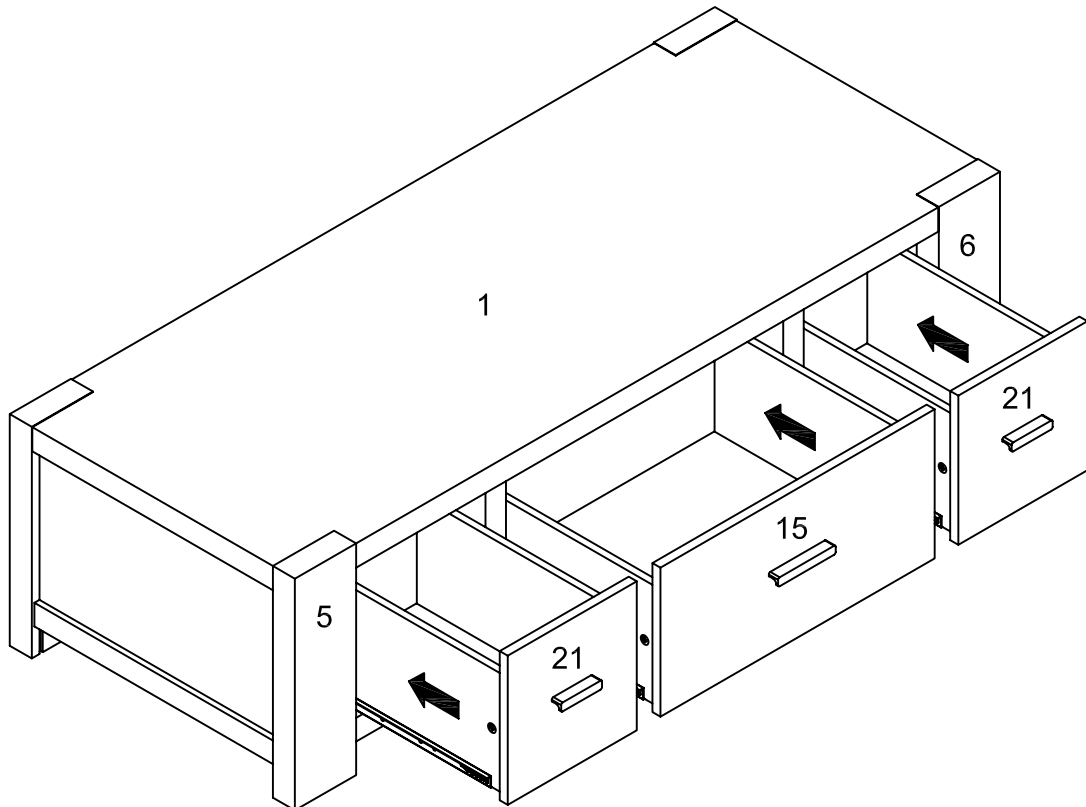
18



PH2  
not supplied

15 x 10mm  
**B1 x 8**

19



next

CORSICA COFFEE TRUNK  
896938

Actual product size

H39 x W136 x D55cm

