

**next**

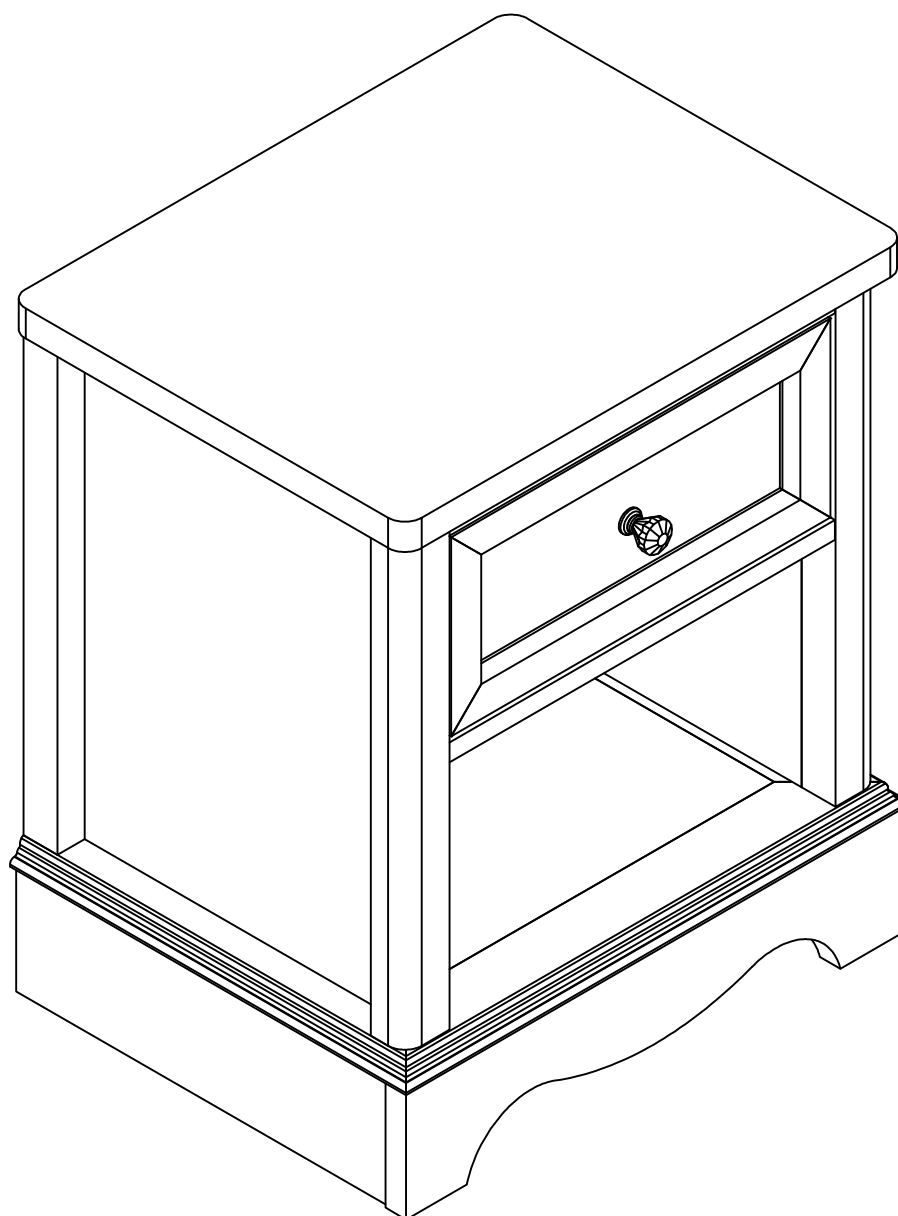
# AMELIA BEDSIDE

932396/176475/535790

Assembly instructions

**Actual product size**

H54x W45x D36cm



## Need Help ?

With: Assembly instruction

Missing or damaged parts

**IMPORTANT - RETAIN FOR FUTURE REFERENCE**

**CALL: 0333 777 8999**

## BEFORE YOU START

### Number of people required to assemble

One people are required to assemble this item

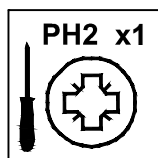


### Time to assemble



30min

### Tools required



not supplied

### Do's

We suggest you spend a short time reading through this leaflet before you start.

When you are ready to start, make sure that you have the right tools and plenty of space.

Unwrap all packaging materials and place the components on a clean surface to protect it from damage.

We recommend that the packaging is used to protect the surfaces during assembly.

Carefully check that you have all the parts before beginning assembly.

Due to the size of this product we recommend that it is assembled in the room intended for use.

Ensure the product is fully assembled as illustrated and all fixings fully tightened before use.

Wipe occasionally with a soft cloth slightly dampened with water. Then buff with a dry clean soft cloth.

Wood will mellow and change colour over time, we recommend that ornaments and items placed on the surface are moved regularly for the first few months to prevent uneven mellowing.

### Don'ts

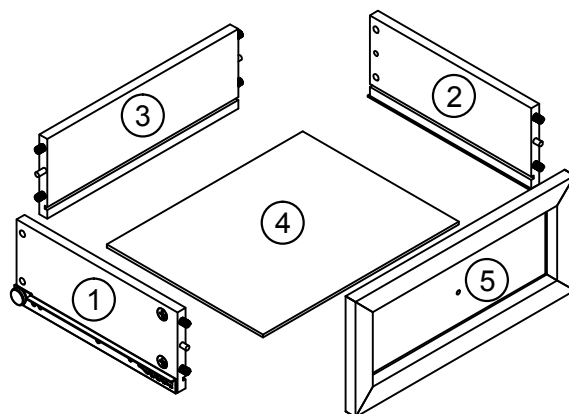
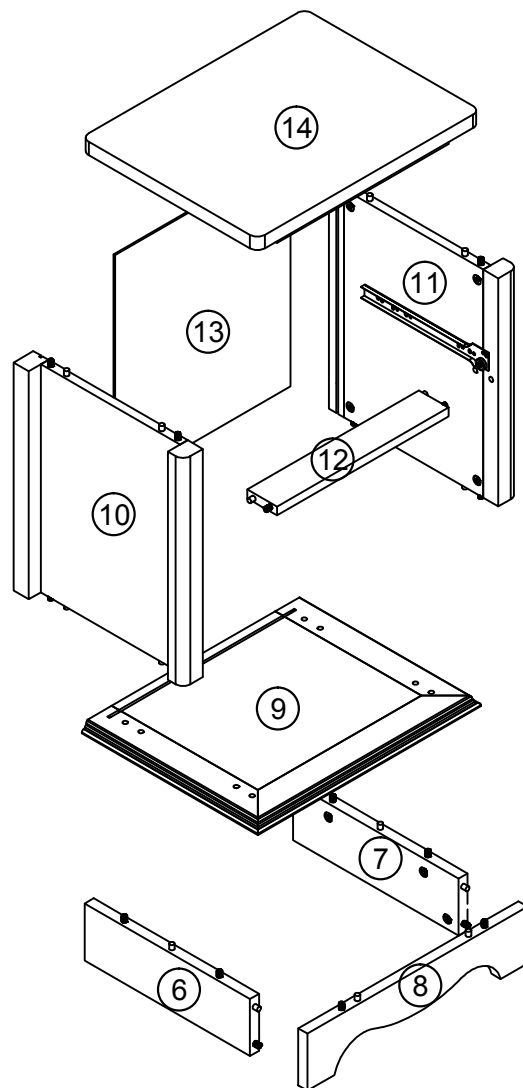
Do not drag or pull your furniture.

Do not rub or scrub the surface when cleaning.

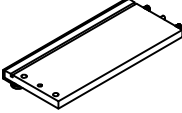
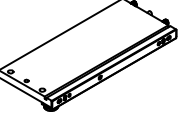
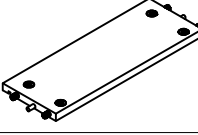
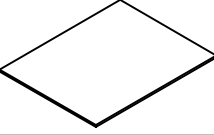
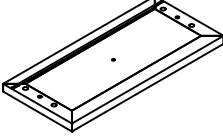
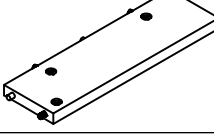
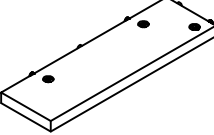
Do not use silicone based furniture polish. Silicone in furniture polishes can break down the finish.

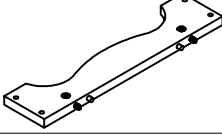
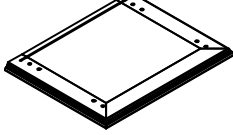
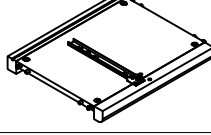
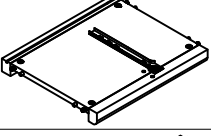
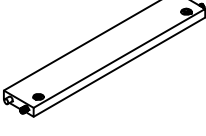
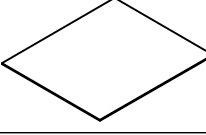
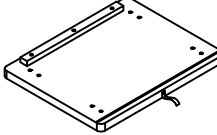
Never allow any kind of liquid to remain on your furniture.  
Absorption can cause wood to warp or finishes to de-laminate.

Do not place hot items (e.g. hot drinks) directly on to the wood surface. Please make sure you use a placemat or coaster.



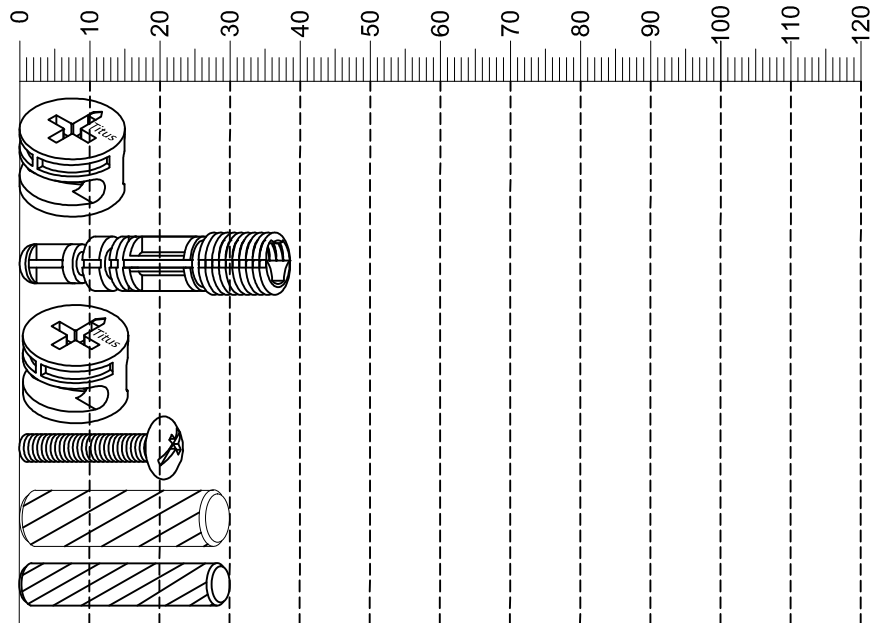
Components supplied. Please use this guide if you require replacement parts.

Ref	Dimensions	Visual	Qty	Ctn
1	25x11cm		1	1
2	25x11cm		1	1
3	30x11cm		1	1
4	30x24cm		1	1
5	34x16cm		1	1
6	33x10cm		1	1
7	33x10cm		1	1

Ref	Dimensions	Visual	Qty	Ctn
8	45x10cm		1	1
9	45x36cm		1	1
10	40x34cm		1	1
11	40x34cm		1	1
12	35x6cm		1	1
13	41x35cm		1	1
14	45x36cm		1	1

Fixtures and fittings supplied (actual size)

Ref	Dimensions	Qty	Spare Qty
B3	Ø15 x 12mm	N/A	2
B8	Ø8 x 38mm	N/A	2
B2	Ø15 x 10mm	N/A	1
Z8	Ø4 x 18mm	1	N/A
D6	Ø8 x 30mm	N/A	2
D3	Ø6 x 30mm	N/A	1



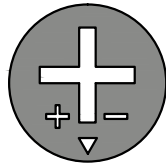
Fixtures and fittings supplied ( not to scale)

Ref	Dimensions	Qty	Spare Qty	Visual
Q17	N/A	1	N/A	
E1	N/A	1	N/A	
T38	N/A	4	1	

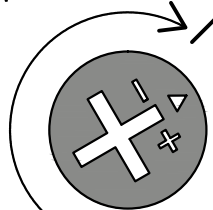
1

**DON'T STOP UNTIL THE 2 O'CLOCK LOCK**

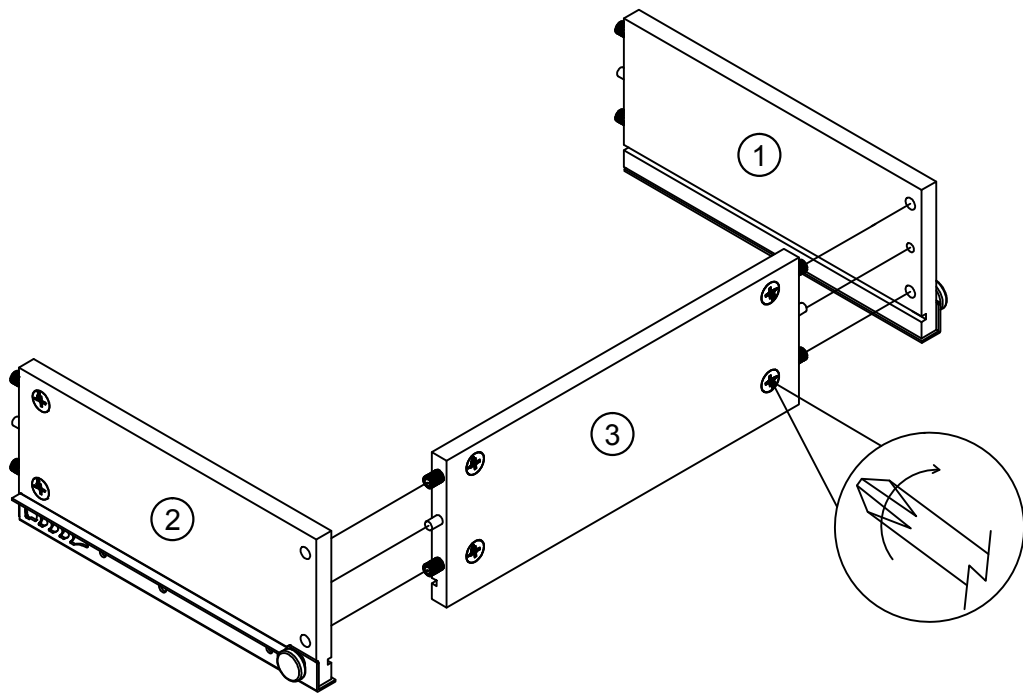
TURN THE CAM IN A CLOCKWISE DIRECTION UNTIL THE ARROW POINTS IN THE POSITIONS SHOWN IN THE DIAGRAMS BELOW



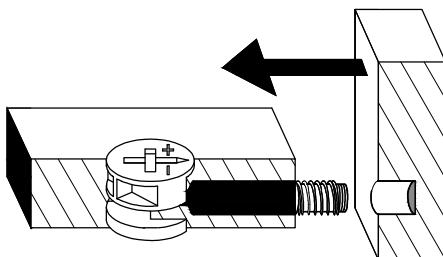
START



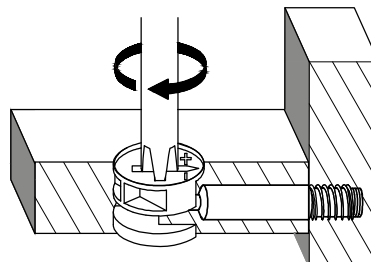
CORRECT LOCK



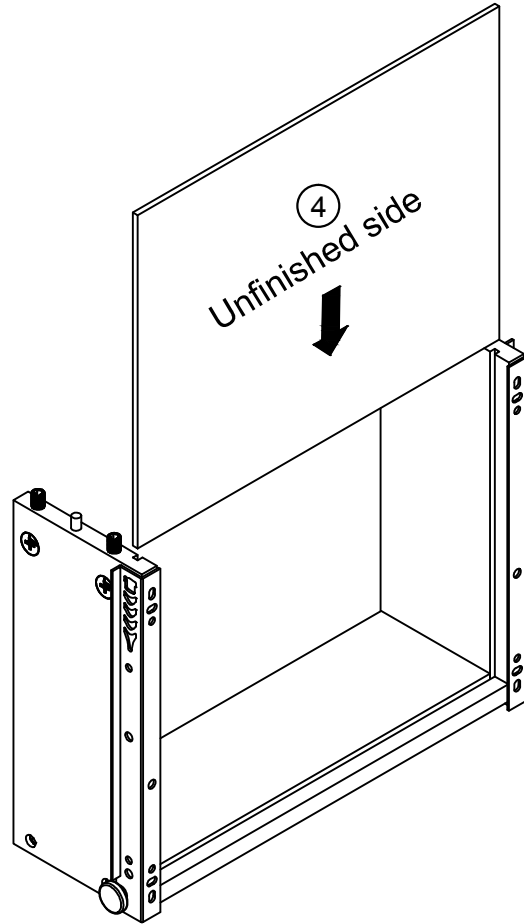
PUSH THE TWO PANELS TOGETHER ALLOWING THE DOWEL TO ALIGN WITH THE HOLE



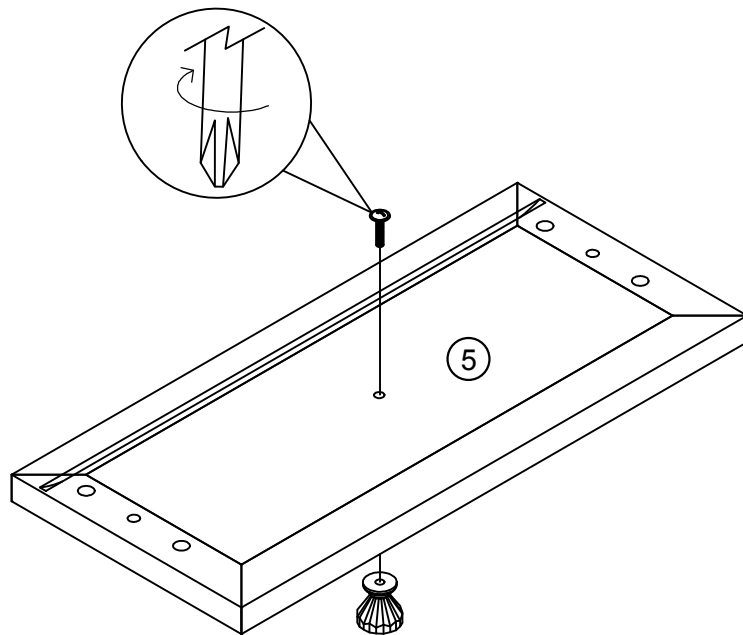
TURN THE CAM IN A CLOCKWISE DIRECTION






2

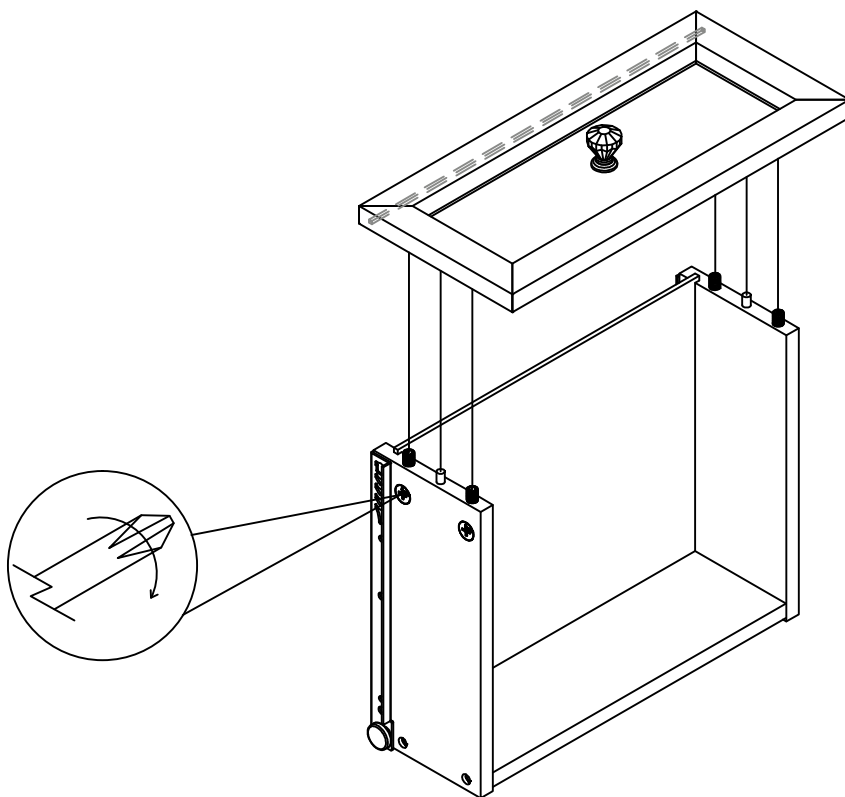


3

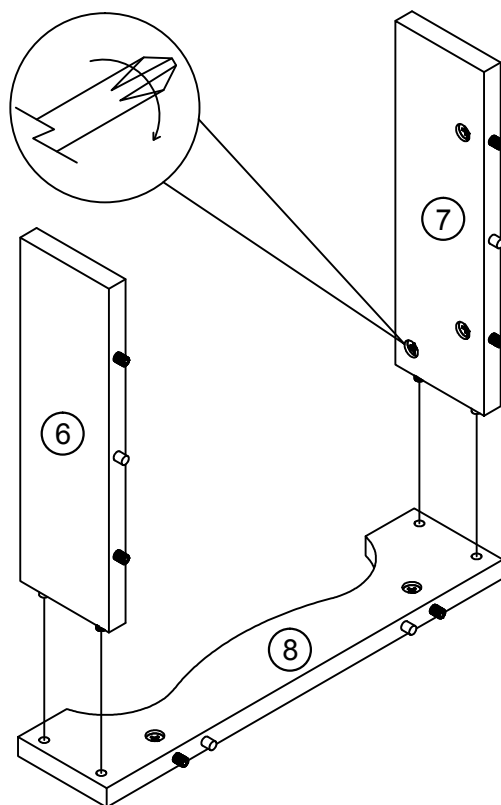


Z8	Ø4 x 18mm	1	  not supplied
E1	N/A	1	

4

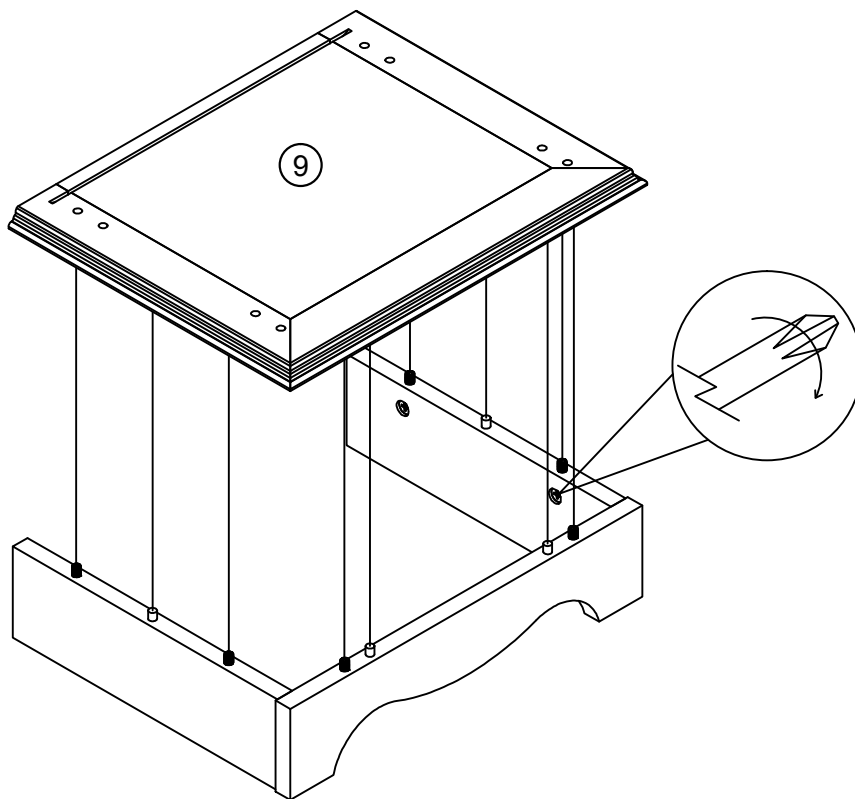


5

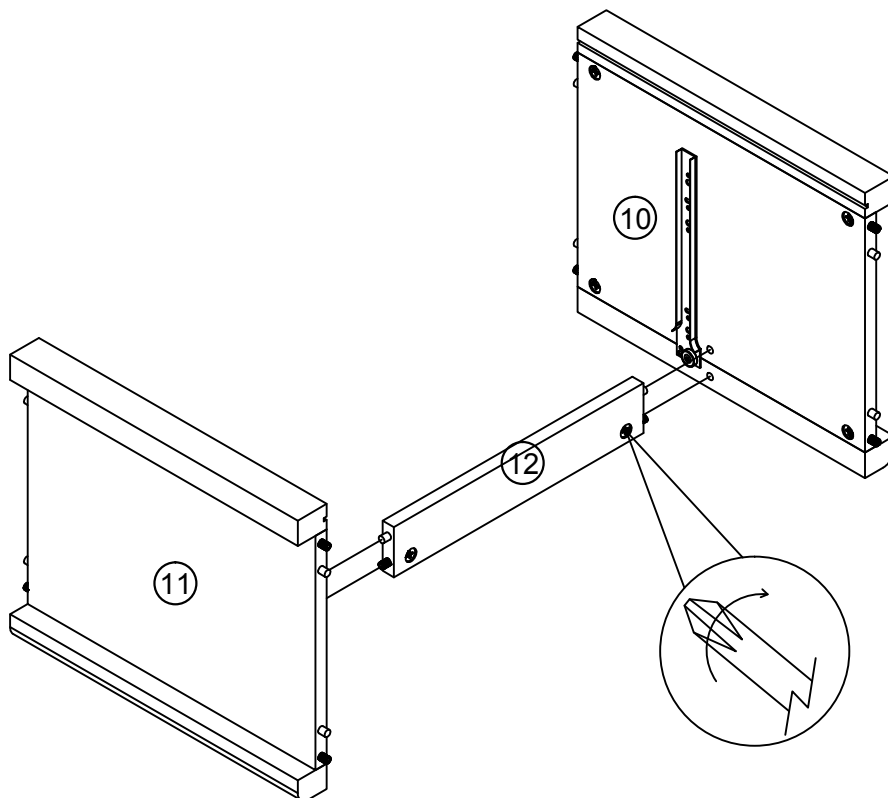




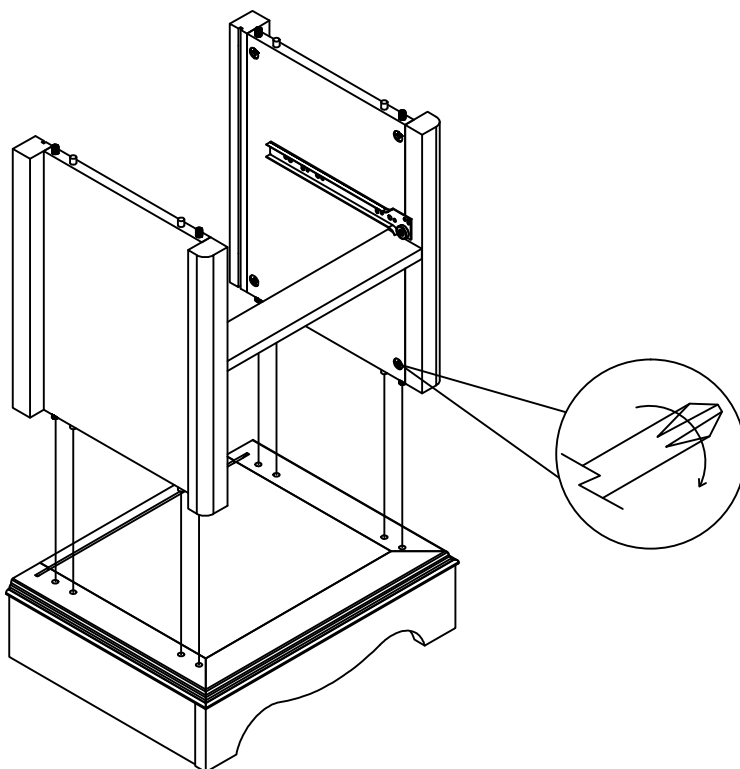
6



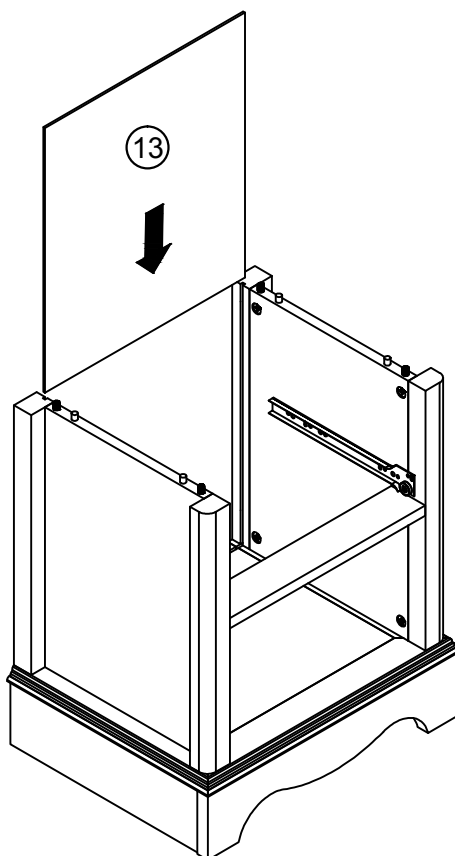
7



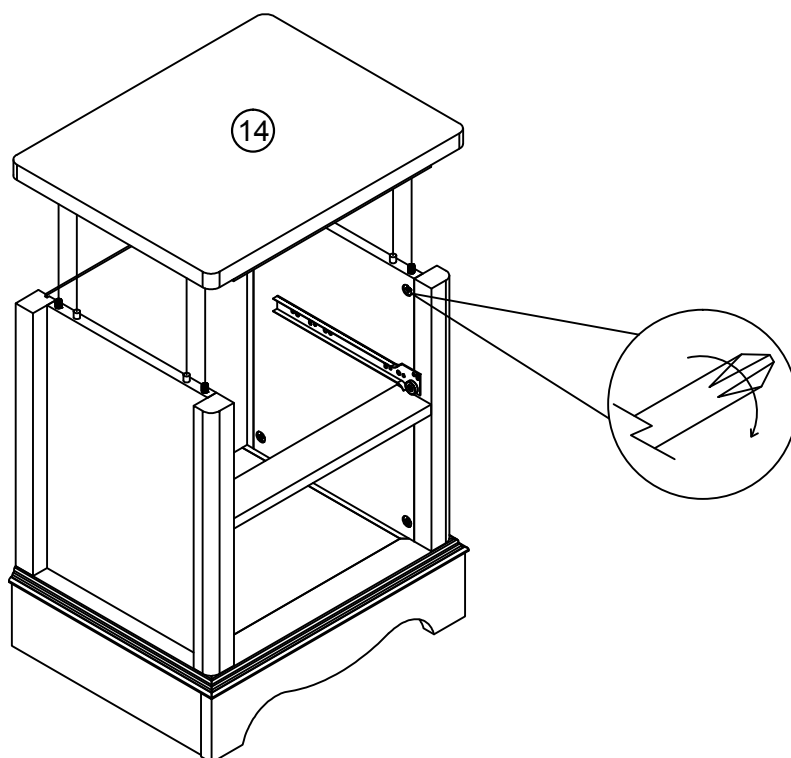
8



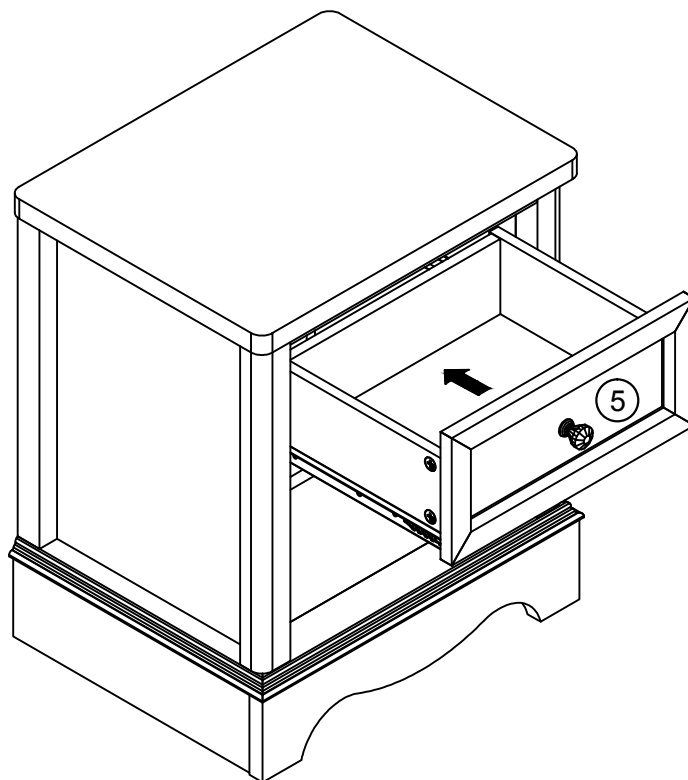
9



10



11



12

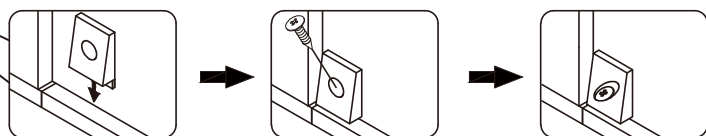
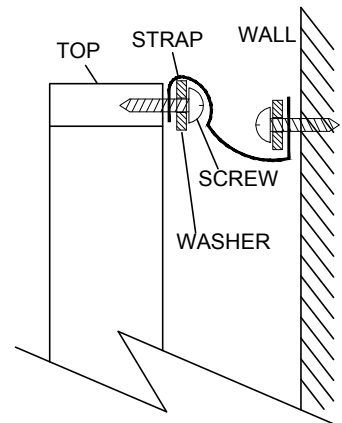
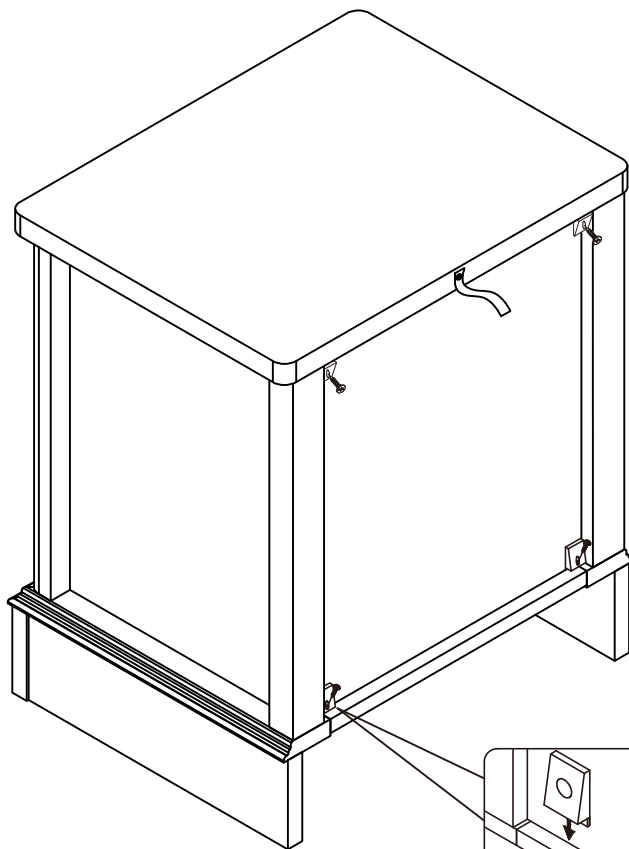
We recommend the use of the wall attachment bracket/strap provided for safety reasons. Secure the other end of the strap to the wall with an appropriate screw and wall plug for your wall type (not provided).

To hide the strap behind the unit, drill the hole lower than the top of unit.

Warning: Always ensure intended wall area to be drilled is free from hidden electrical wires, water and gas pipes.

NB: Wall fixings are not included-Please source suitable fixing for your wall type.




If in doubt please consult a qualified trades person.



**WHEN LOOSENING THE CAM**

TURN THE CAM IN A COUNTERCLOCKWISE DIRECTION UNTIL THE ARROW POINTS IN THE POSITION SHOWN IN THE DIAGRAMS BELOW

MAXIMUM LOCK      TURN TO UNLOCK      UNLOCKED

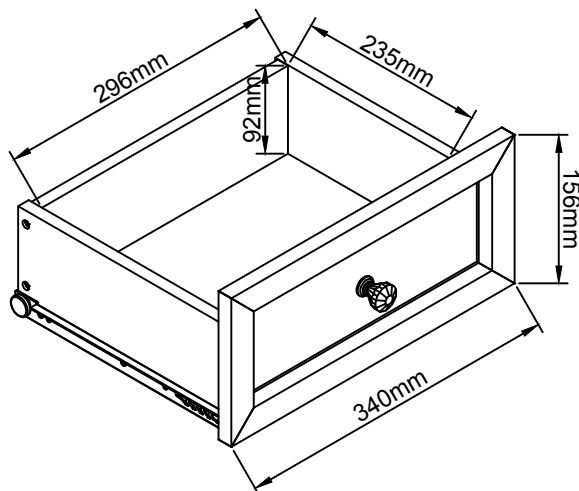
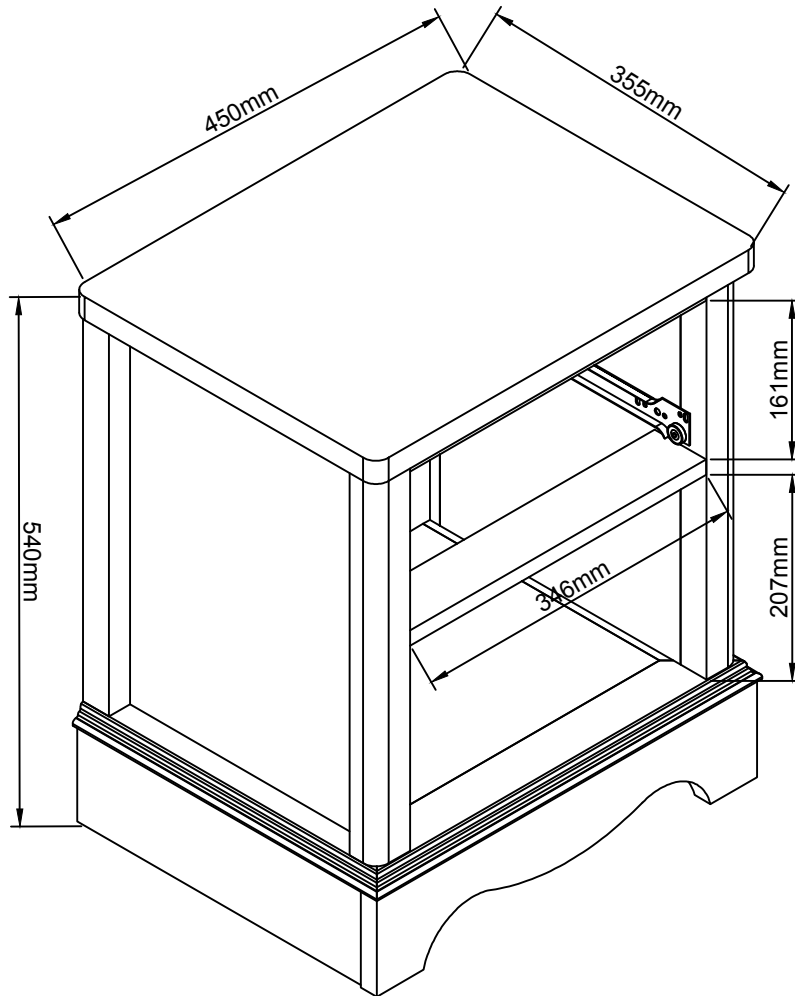
T38	N/A	4	  not supplied
Q17	N/A	1	

next

# AMELIA BEDSIDE

932396/176475/535790

Actual product size  
H54x W45x D36cm



**next**

**AMELIA BEDSIDE**  
932396/176475/535790

## **Warnings**

We suggest you retain these instructions for future reference.

Keep fittings out of children's reach and keep children well away from construction area.

The statement - 'Assembly to be carried out by a competent adult only.'

The statement - 'During assembly children should be kept away from the product due to possible risk of injury.'

The statement - 'Do not use this item if any components are missing or damaged.'

This product should only be used on firm level ground.

Please periodically check all fittings and re-tighten as necessary.

Please do not sit or stand on your furniture.

Avoid exposing the furniture to excessive heat or direct sunlight as this can cause deterioration of the colour.

Unwrap all packaging materials and place the components on top of the carton box or on a clean floor to protect it from damage

## **Missing parts**

If you are missing any fixtures and fittings for your product. Please contact our customer service team on 0333 777 8999 and they will be happy to arrange for a replacement to be sent to you free of charge.

## **Home service technicians**

If you have a fault with your product, please contact our customer service team on 0333 777 8999. If you have had the product for 28 days or less you may be offered a replacement, refund or for a fully trained home service technician to visit your home to assess the fault and repair the product where possible. If you have had the product for more than 28 days we will send an independent home service technician to review and repair the product where possible and recommend further action.

## **You can write to us at**

Home Customer Services  
Next Retail Ltd.  
Desford Road,  
Leicester,  
LE19 4AT

**To view our full furniture range please visit [www.next.co.uk](http://www.next.co.uk)**