

next

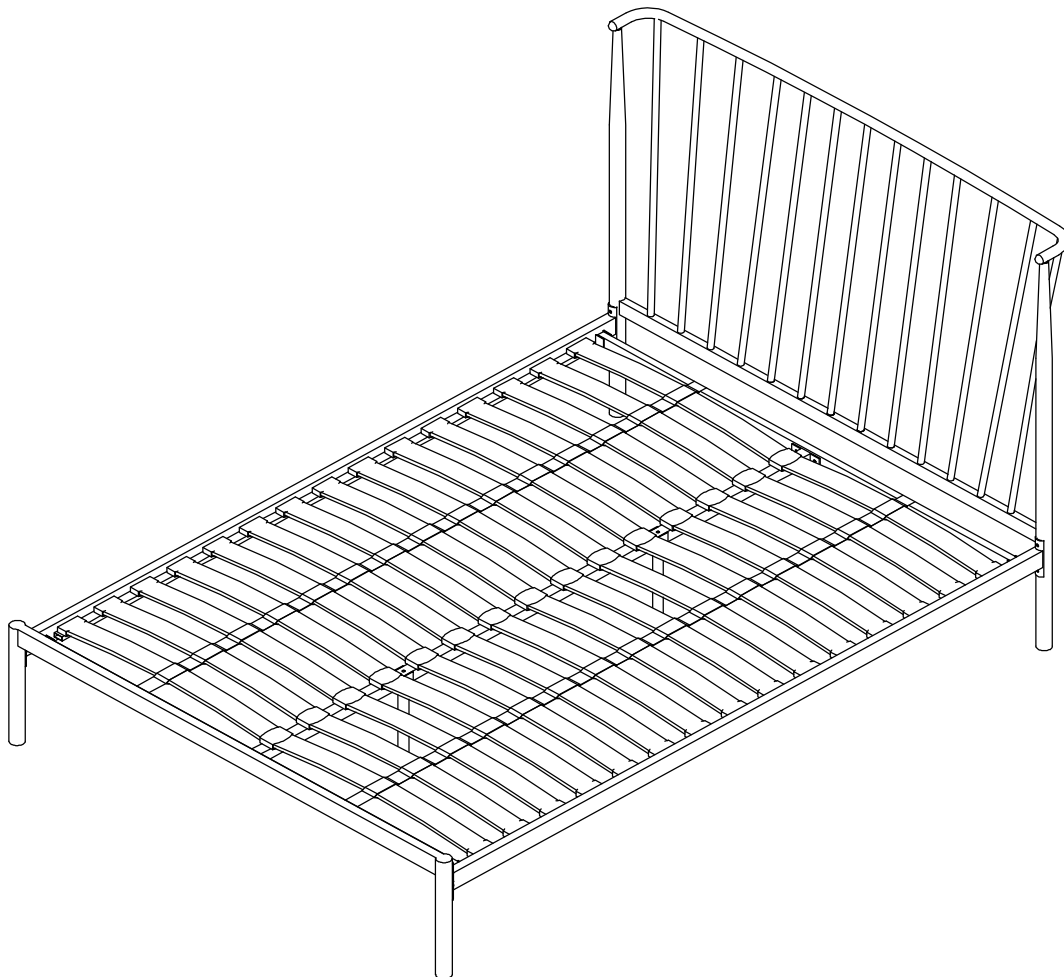
# IRVINE BLK METAL BED - KING

965098

Assembly instructions

**Actual product size**

H118 x W158 x L222cm



## NEED HELP?

With: Assembly instructions

Missing or damaged parts

**CALL: 0333 777 8999**

**IMPORTANT - RETAIN FOR FUTURE REFERENCE**

## BEFORE YOU START

### Warnings

We suggest you retain these instructions for future reference.  
 Keep fittings out of children's reach and keep children well away from construction area.  
 This product should only be used on firm level ground.  
 Please periodically check all fittings and re-tighten as necessary  
 Please do not jump or stand on your bed.  
 Avoid exposing the furniture to excessive heat or direct sunlight as this can cause damage to the materials and deterioration of the colour.

### Do's

We suggest you spend a short time reading through this leaflet before you start.  
 When you are ready to start, make sure that you have the right tools and plenty of space.  
 Due to the size of the product we recommend that it is assembled in the room intended for use.  
 Unwrap all packaging materials and place the components on a clean surface to protect it from damage, we recommend that the packaging is used to protect the surfaces during assembly.  
 Carefully check that you have all the parts before beginning assembly.  
 Ensure the product is fully assembled as illustrated and all fixings fully tightened before use. Check fixings regularly to ensure they remain tight.  
 When moving your assembled bed, it is best to lift the bed and never to drag it. Please check that the centre support rail is securely fixed in place.  
 When adjusting the support legs ensure that the foot is set 5-10mm from the floor surface without the mattress in place. When in use the legs will create the required support for the product.  
 Never allow any kind of liquid to remain on your furniture. Absorption can cause materials to warp or finishes to de-laminate.  
 Wipe occasionally with a soft cloth dampened with water. Then buff with a dry clean soft cloth.

### Don'ts

Do not drag or pull your furniture  
 Do not use silicone based furniture polish. Silicone in furniture polishes can break down the finish  
 Do not stand or jump on this product

### Please note:

Periodically check the condition of your bed slats and plastic locating caps to ensure they are in good condition and have not become loose.

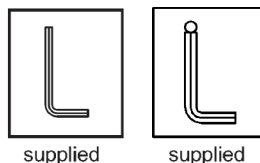
### Number of people required to assemble

Two persons are required to assemble this item.

### Time to assemble



### Tools required



### Missing parts

If you are missing any fixtures and fittings for your product please contact our customer service team on 0333 777 8999 and they will be happy to arrange for a replacement to be sent to you free of charge.

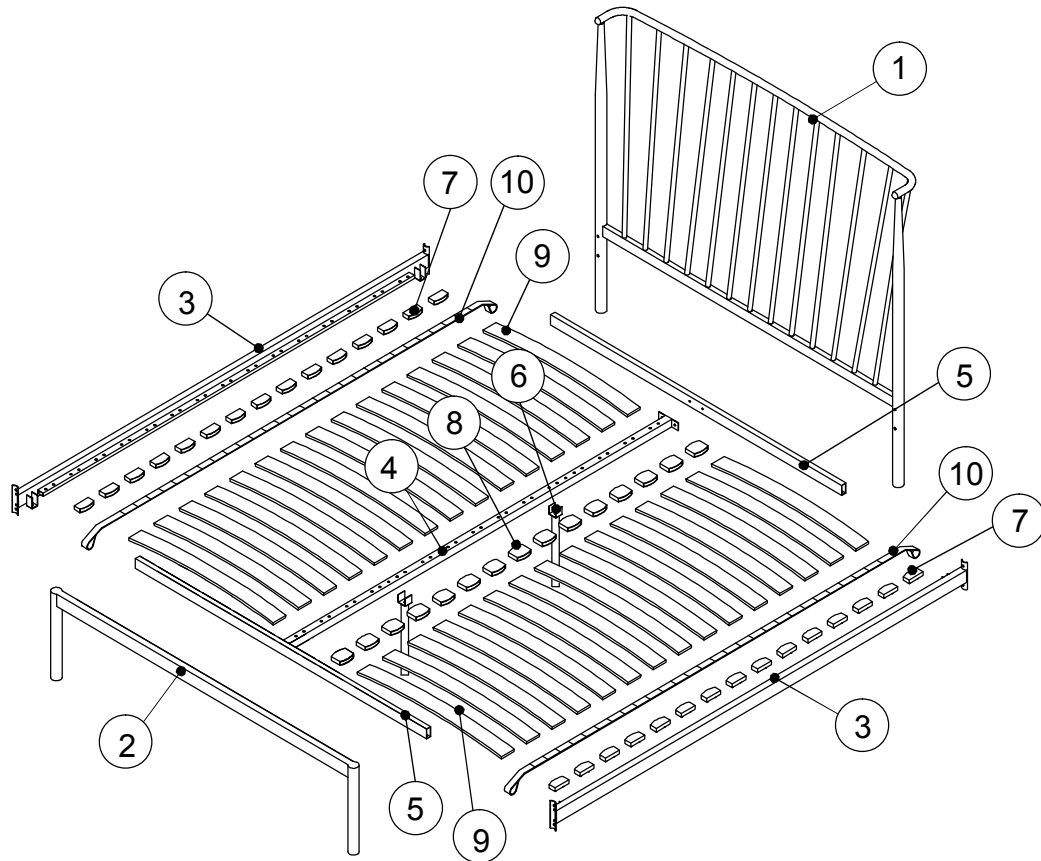
### Home service technicians

If you have a fault with your product please contact our customer service team on 0333 777 8999. If you have had the product for 28 days or less you may be offered a replacement, refund or for a fully trained home service technician to visit your home to assess the fault and repair the product where possible. If you have had the product for more than 28 days we will send an independent home service technician to review and repair the product where possible and recommend further action.

### You can write to us at

Home Customer Services  
 Next Retail Ltd,  
 Desford Road,  
 Leicester,  
 LE19 4AT

**GETTING TO KNOW YOUR PRODUCT**

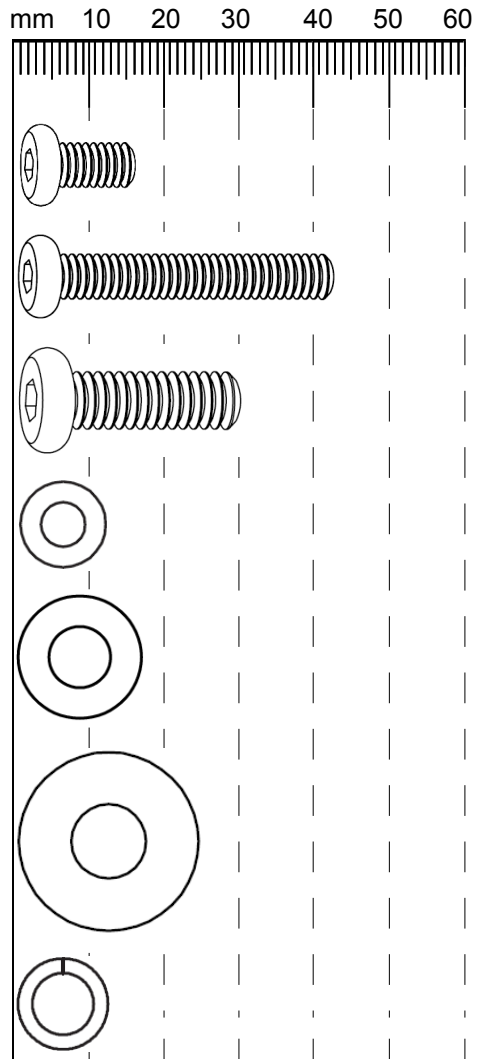


Components supplied. Please use this guide if you require a replacement parts.

Ref	Dimensions	Visual	Qty	Ctn	Ref	Dimensions	Visual	Qty	Ctn
1	158 x 118 cm		1	1	6	4 x 27 cm		2	1
2	158 x 35 cm		1	1	7	3 x 7 cm		32	3
3	9 x 203 cm		2	2	8	6 x 7 cm		16	3
4	9 x 195 cm		1	2	9	6 x 75 cm		32	3
5	4 x 151 cm		2	1	10	3 x 230 cm		2	3

Fixtures and fittings supplied (actual size)

Ref	Dimensions	Qty	Spare fitting
A	6 x 16 mm	8	1
B	6 x 42 mm	2	1
C	8 x 30 mm	8	1
D	12.5x0.8 mm	10	1
E	17x1.5 mm	8	1
F	24 x 1.5 mm	8	1
G	12.5 x 2 mm	8	1



Fixtures and fittings supplied (not to scale)

Ref	Dimensions	Visual	Qty
H	4mm		1
I	5mm		1





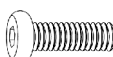
# next

## IRVINE BLK METAL BED - KING






965098

Assembly instructions

**1**

	<b>I x 1</b> 5 mm
	<b>F x 4</b> 24 x 1.5 mm
	<b>E x 4</b> 17 x 1.5 mm
	<b>G x 4</b> 12.5 x 2 mm
	<b>C x 4</b> 8 x 30 mm

**2**

	<b>I x 1</b> 5 mm
	<b>F x 4</b> 24 x 1.5 mm
	<b>E x 4</b> 17 x 1.5 mm
	<b>G x 4</b> 12.5 x 2 mm
	<b>C x 4</b> 8 x 30 mm

Produced in China for Next Retail Ltd.

965098-2014-V1

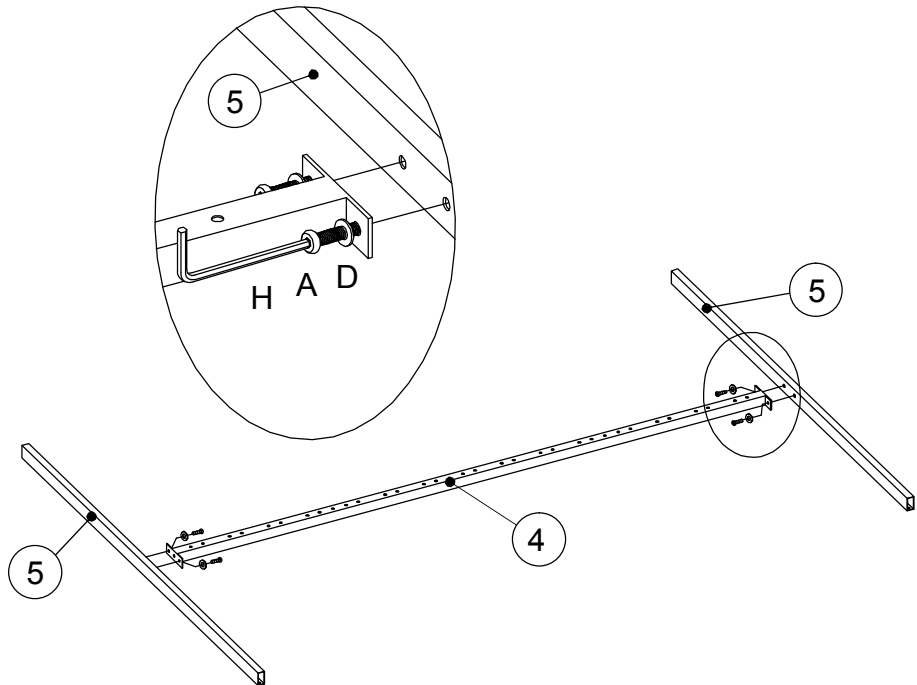
next

# IRVINE BLK METAL BED - KING

965098

Assembly instructions

3



**H x 1** 4 mm



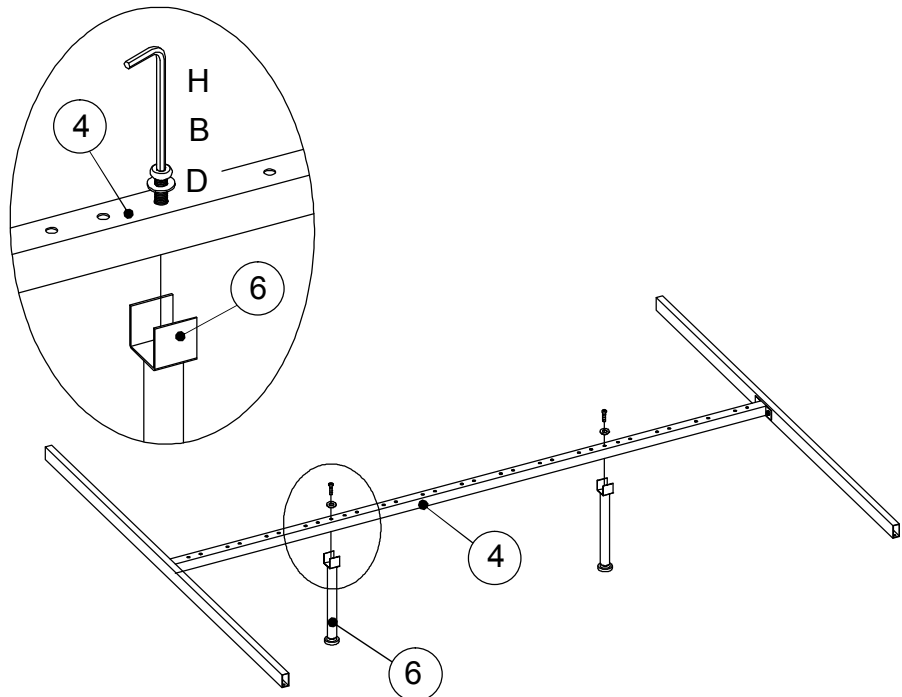
**D x 4** 12.5 x 0.8 mm



**A x 4** 6 x 16 mm



4



**H x 1** 4 mm



**D x 2** 12.5 x 0.8 mm



**B x 2** 6 x 42 mm



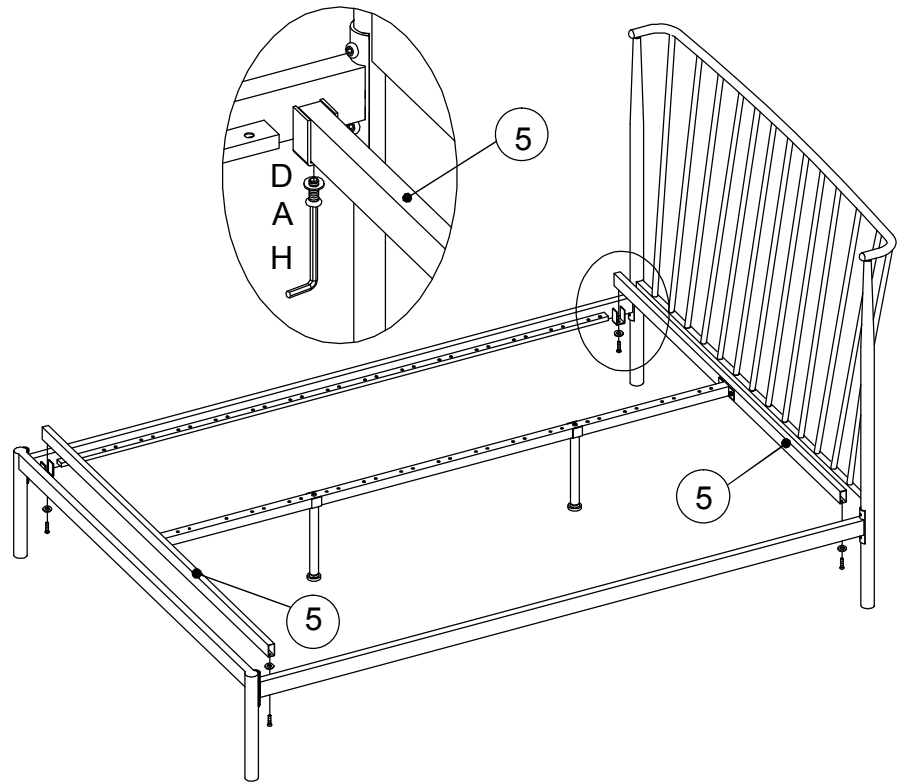
next

# IRVINE BLK METAL BED - KING

965098

Assembly instructions

5



H x 1 4 mm



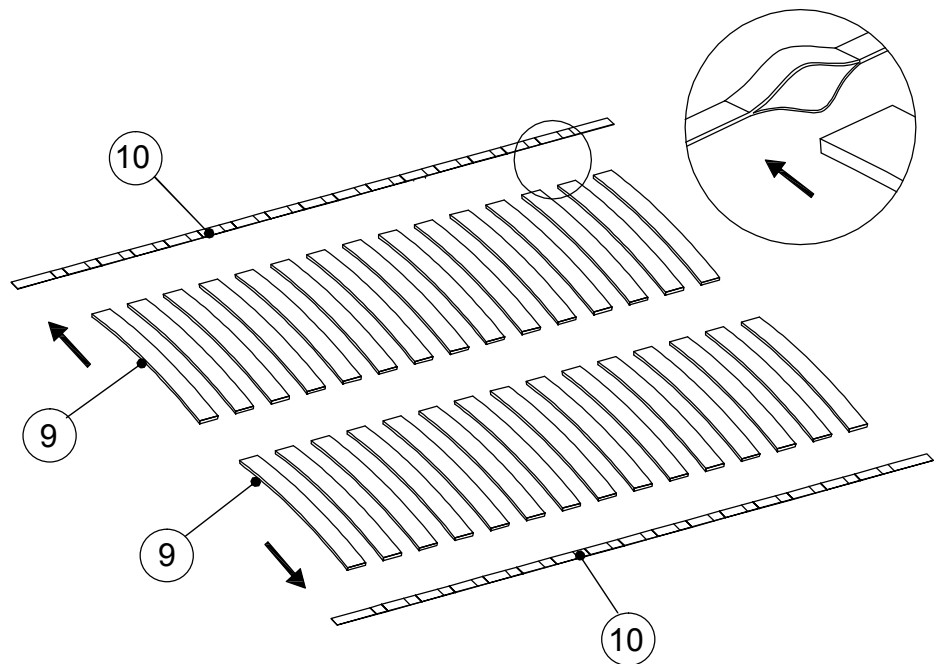
D x 4 12.5 x 0.8 mm



A x 4



6



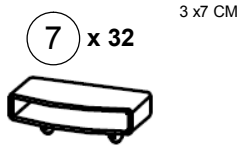
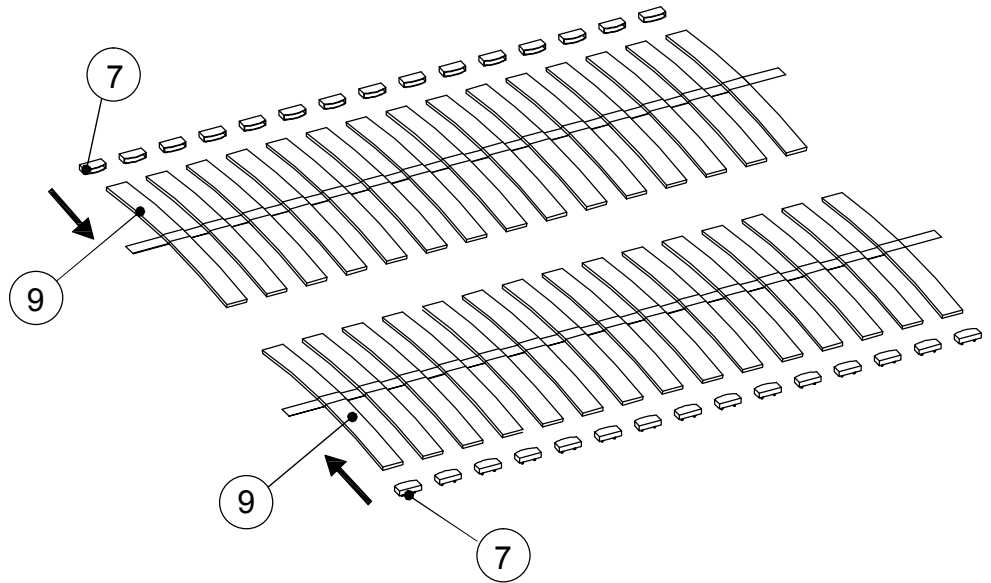
next

# IRVINE BLK METAL BED - KING

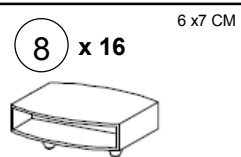
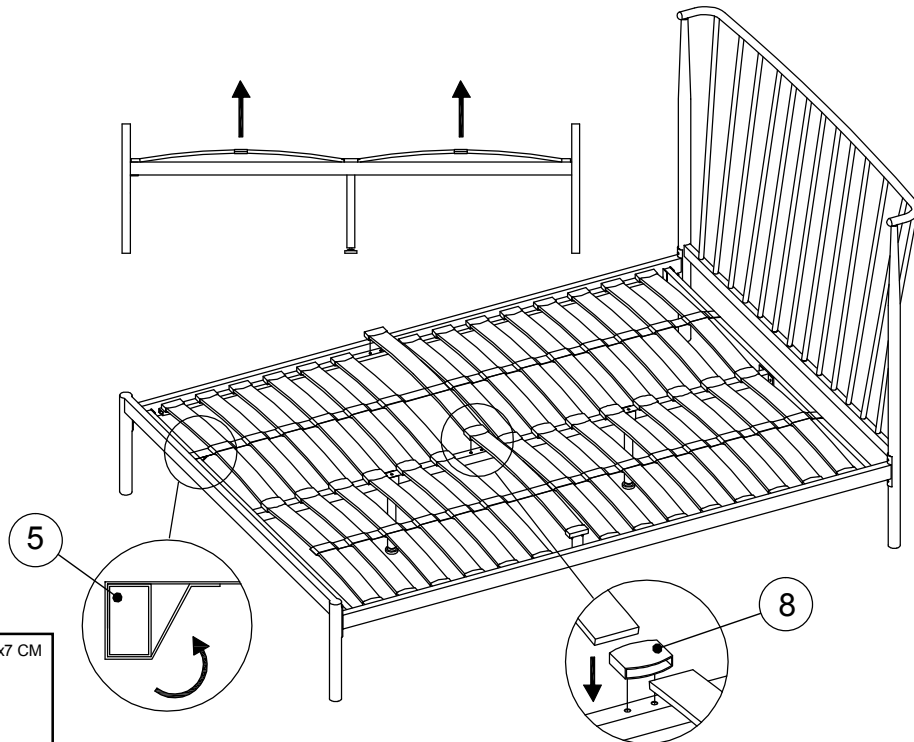
965098

Assembly instructions

7



8



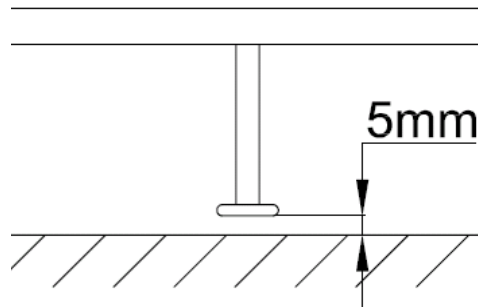


9

**IMPORTANT:** Once the feet (part 6) have been assembled and attached they should be adjusted to ensure they do not touch the floor (5mm above floor) to allow for movement once the mattress is placed on the bed frame.

It is important to note that when moving the bed ensure that it is not dragged into its new position to prevent the possibility of these feet being twisted or angled to one side which could lead to the collapse of the centre of the bed.

Remove the mattress and lift the bed into its new position to avoid damaging the bed. Ensure the feet are at 90° to the floor before replacing the mattress.



next

IRVINE BLK METAL BED - KING  
965098

**Actual product size**

H118 x W158 x L222cm

