

next

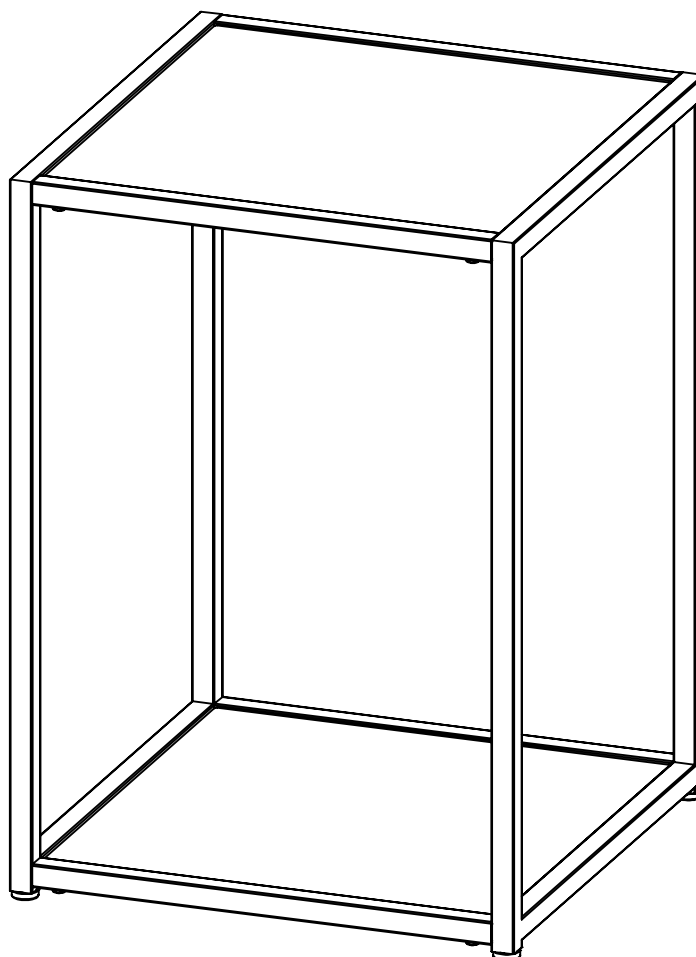
# DOVE AND MIRROR SIDE

976871

Assembly instructions

**Actual product size**

H56 x D40 x W40 cm



**Need Help ?**

With: Assembly instruction  
Missing or damaged parts

**CALL: 0333 777 8999**

**IMPORTANT - RETAIN FOR FUTURE REFERENCE**

## BEFORE YOU START

### Warnings

We suggest you retain these instructions for future reference.

Keep fittings out of children's reach and keep children well away from construction area.

This product should only be used on firm, level ground.

Please periodically check all fittings and re-tighten as necessary.

Please do not sit or stand on your table.

Avoid exposing the furniture to excessive heat or direct sunlight as this can cause deterioration of the colour.

Unwrap all packaging materials and place the components on top of the carton box or on a clean floor to protect it from damage.

### Do's

We suggest you spend a short time reading through this leaflet before you start.

When you are ready to start, make sure that you have the right tools and plenty of space.

Unwrap all packaging materials and place the components on a clean surface to protect it from damage.

We recommend that the packaging is used to protect the surfaces during assembly.

Carefully check that you have all the parts before beginning assembly.

Due to the size of the product we recommend that it is assembled in the room intended for use.

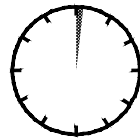
Ensure the product is fully assembled as illustrated and all fixings fully tightened before use. Check fixings regularly to ensure they remain tight.

When cleaning mirror panels use a damp cloth with washing up liquid or soft soap if necessary. Do not use washing powders or any other substances containing abrasives since these substances can scratch the mirror.

### Number of people required to assemble

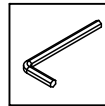
Two people are required to assemble this item

### Time to assemble



10 mins

### Tools required



supplied

### Missing parts

If you are missing any fixtures and fittings for your product. Please contact our customer service team on 0333 777 8999 and they will be happy to arrange for a replacement to be sent to you free of charge.

### Home service technicians

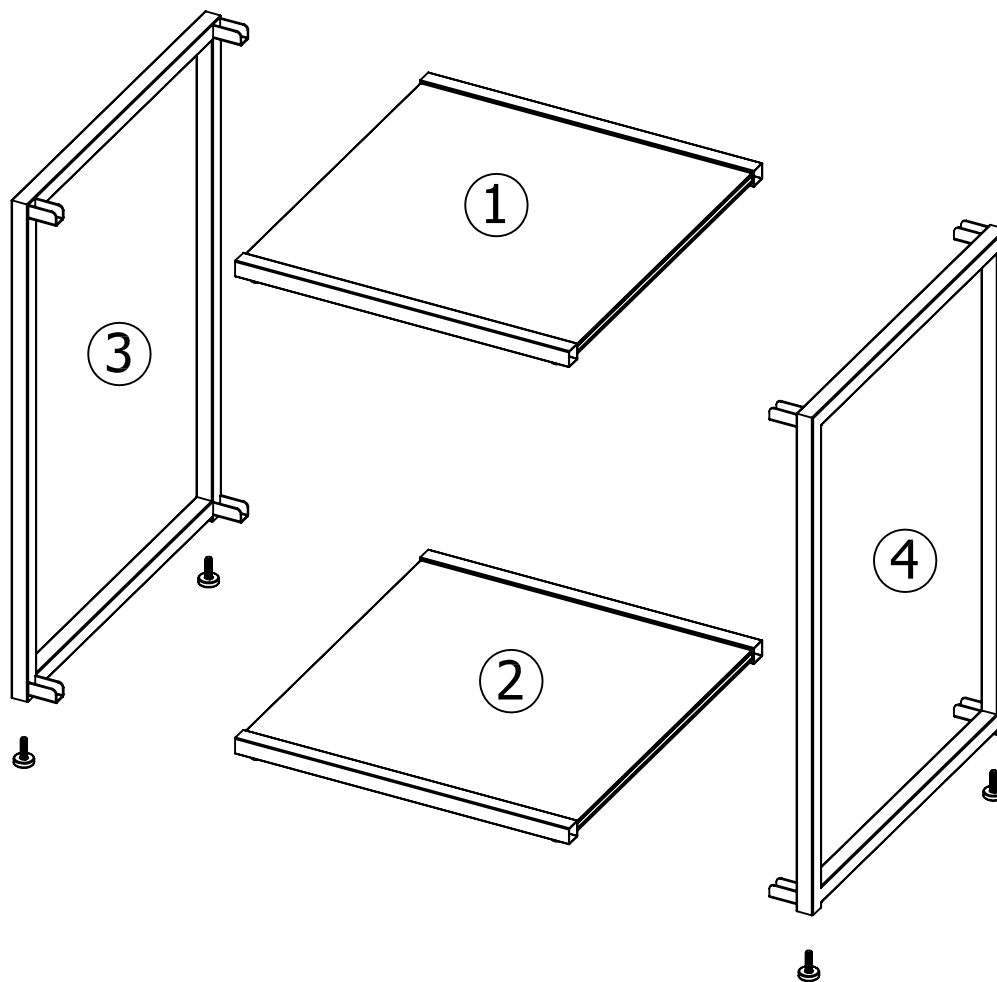
If you have a fault with your product, please contact our customer service team on 0333 777 8999 . If you have had the product for 28 days or less you may be offered a replacement,refund or for a fully trained home service technician to visit your home to assess the fault and repair the product where possible. If you have had the product for more than 28 days we will send an independant home service technician to review and repair the product where possible and recommend further action.

### You can write to us at

Home Customer Services  
Next Retail Ltd.  
Desford Road,  
Leicester,  
LE19 4AT

To view our full furniture range please visit [www.next.co.uk](http://www.next.co.uk)

**GETTING TO KNOW YOUR PRODUCT**

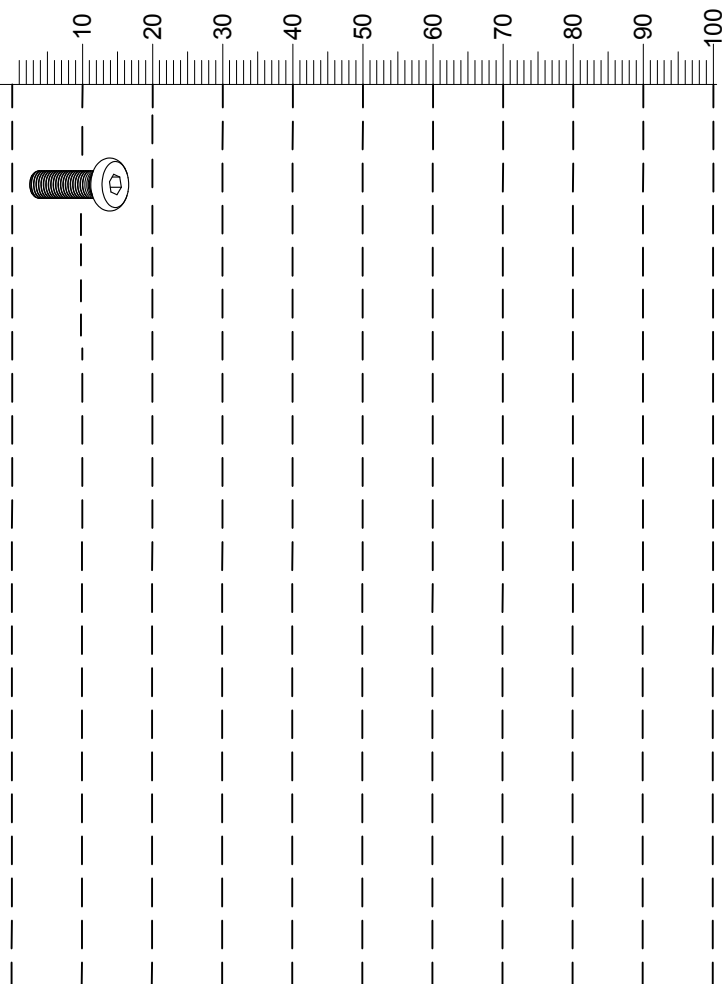


Components supplied. Please use this guide if you require replacement parts.


Ref	Dimensions	Visual	Qty	Ctn
1	56x40cm		2	1
2	40x36.5cm		2	1

Fixtures and fittings supplied (actual size)

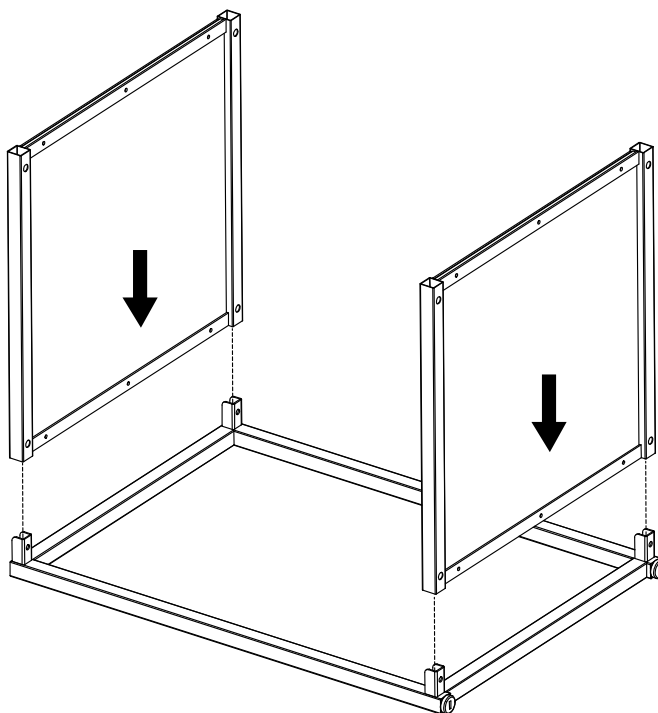
Ref	Dimensions	Qty	Extra Fittings
V39	Ø6 x 12mm	8	1



Fixtures and fittings supplied ( not to scale)

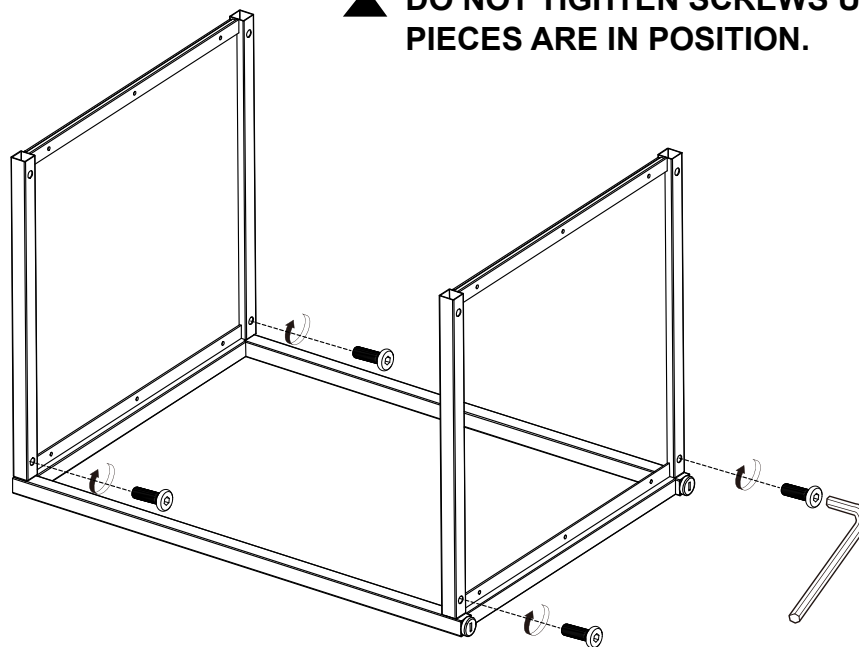
Ref	Dimensions	Visual	Qty
T1	M4		1

1

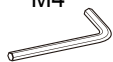


2

▲ DO NOT TIGHTEN SCREWS UNTIL ALL PIECES ARE IN POSITION.



M4

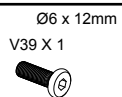
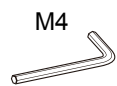
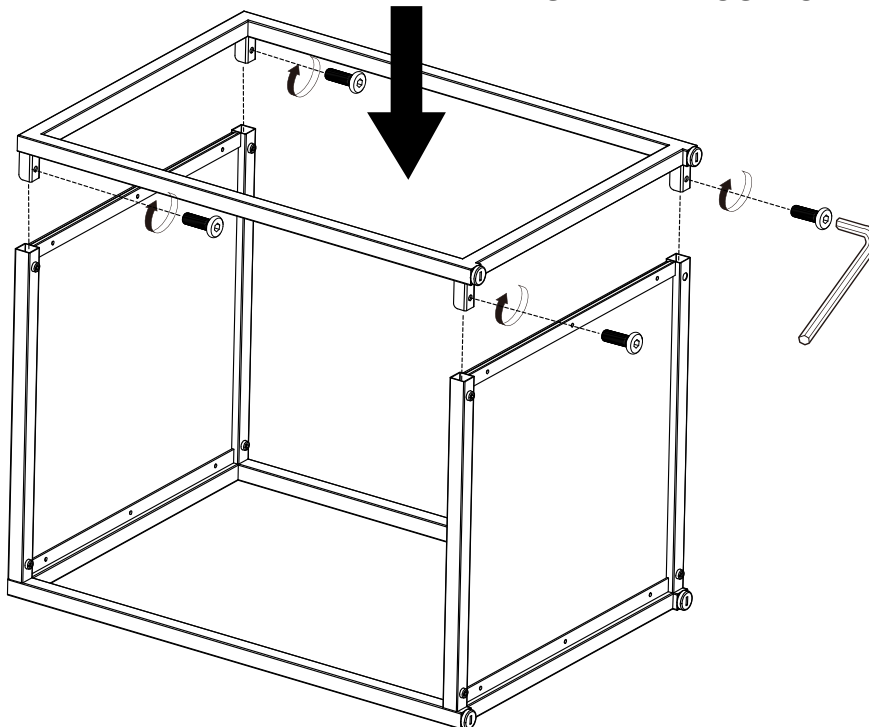


Ø6 x 12mm  
V39 X 1

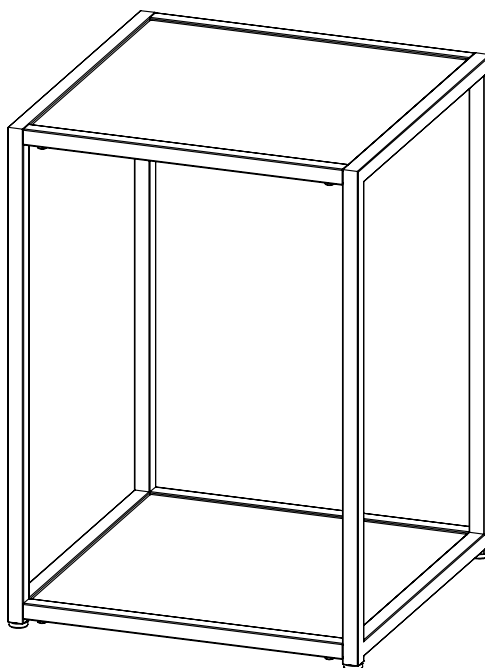


3

▲ DO NOT TIGHTEN SCREWS UNTIL ALL  
PIECES ARE IN POSITION.



4



▲ CAREFULLY LIFT THE UNIT UPRIGHT

next

DOVE AND MIRROR SIDE  
976871

**Actual product size**

H56 x D40 x W40 cm

