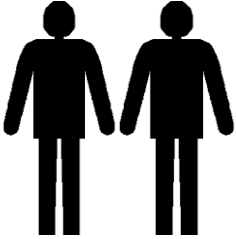


# LEAMINGTON BED (SINGLE)

## ASSEMBLY INSTRUCTIONS.

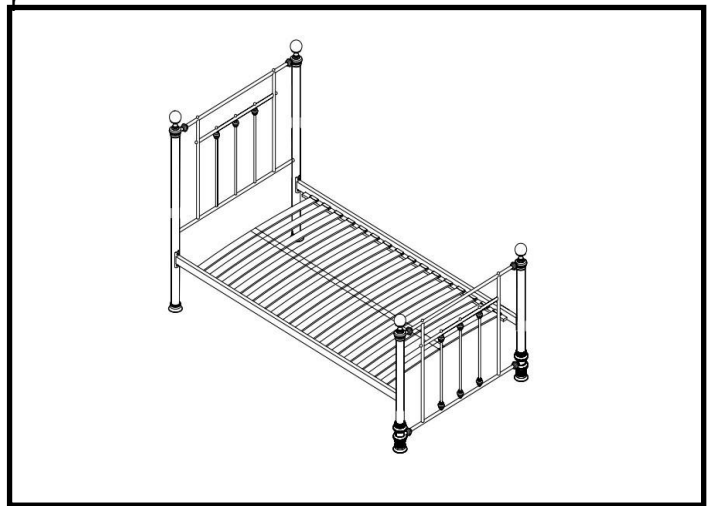
**IMPORTANT - RETAIN FOR FUTURE REFERENCE - READ CAREFULLY.**

### Tools Needed



### Helpline

If you have any problems with this product or require any replacement fittings please contact Customer



Regrettably self assembly items cannot be returned once assembly is part or fully completed unless the item is found

## IMPORTANT

- We suggest you spend a short time reading through this leaflet and then follow the simple step-by-step
- Carefully check that you have all parts before beginning assembly.
- Keep fittings out of children's reach and keep children well away from the construction area.
- We recommend that the packaging is used to protect the surfaces during assembly.
- A minimum of two persons is required to assemble this product.

## PRODUCT INFORMATION

- Made from steel with a nickel powder coated finish and poplar sprung wooden slats.
- Made in China.

## CARE INSTRUCTIONS

- For general cleaning, periodically dust with a soft cloth.
- Do not rub or scrub the surface when cleaning.
- Do not use abrasive cleaning products or those containing silicone.
- Any spills should be removed immediately with a soft clean damp cloth and dried immediately.
- Ensure the product is protected with mats and coasters when items are placed on the surfaces, to prevent scratching or damage.
- Do not put hot dishes directly on the surfaces of the item.
- Avoid keeping furniture in direct sunlight or close to any heat sources as this can cause cracking, discolouration
- Never drag pieces of furniture across the floor as this will cause damage to the joints.
- All assembly fixings should always be tightened properly and periodically check all fixings and tighten if

## FITTINGS



A. Bolts x 8  
M6X20mm



B. Plastic Washer x 8  
M6



C. Metal Washer x 12  
M6



D. Allen key x 1  
4mm

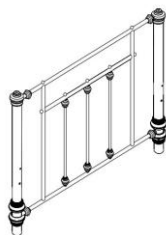


E. Bolts x 4  
M6X40mm

## PARTS



(1) Headboard x 1



(2) Footboard x 1



(3) Side Rail x 2



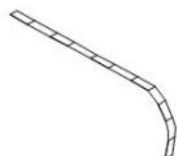
(4) Sprung Slats x



(5) Plastic cap  
(one end open)



(6) Finials x



(7) Fabric Strap x



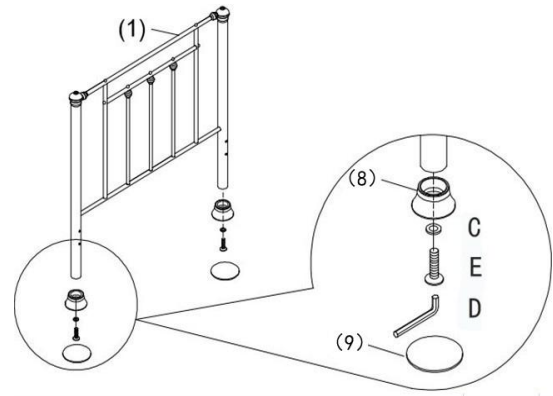
(8) Foot Slider x



(9) Foam Pads x 4

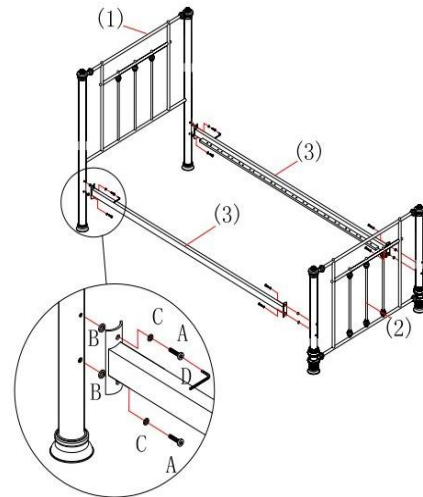
## STEP ONE

1. Attach Foot Slider (8) to Headboard 1 and Footboard 2 by using Bolts (E), Metal Washer (C) and tightening with Allen key (D). Peel the rear tape from the Foam Pads



## STEP TWO

1. Attach side rails 3 (x2) to headboard 1 and footboard 2 using 8 x bolts (A), 8 x plastic washers (B) and 8 x metal washers (C). Tighten using Allen key



## STEP THREE

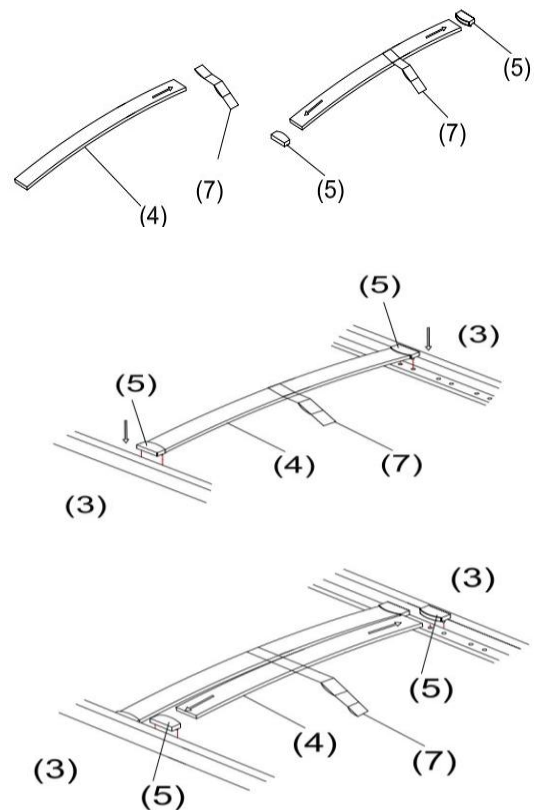
1. Insert 1 x sprung wooden slat (4) through the first hole in strap (7).

2. Attach single sided slat cap (5) onto one end of the sprung wooden slat (4).

3. Insert sprung wooden slat and slat cap fitting from Step 1 & 2, into the first gap in side rail 3.

4. Attach 1 x single sided slat cap (5) to the other side of the slat and by lifting the centre and pushing down on the end, insert the end of the slat (with fitted cap) into the corresponding hole on the other

5. Repeat process for all remaining slats and caps until all components have been used and firmly pushed in place.



## STEP FOUR

1. Attach 4 x finials (6) to headboard 1 and footboard 2 turning clockwise by hand to tighten.

