

next

PARIS STORAGE BED

663843/893451/890232/899684/891825/672454/688472

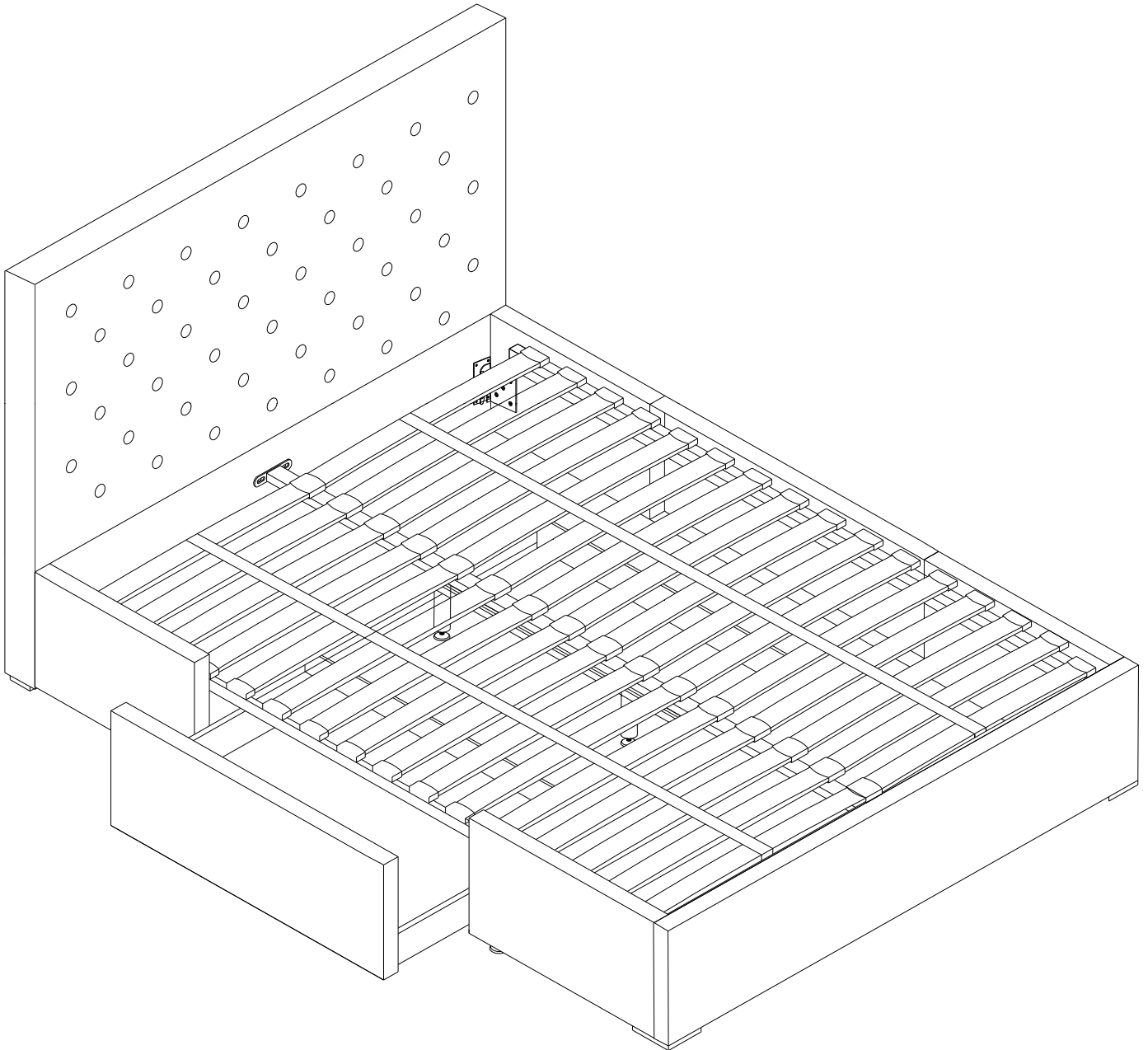
Assembly instructions

Actual product size

H115.5 x W145 x D205cm (Double)

H115.5 x W160 x D215cm (King)

H115.5 x W190 x D215cm (Super King)



Need Help?

With: Assembly Instructions
Missing or damaged parts

CALL: 0333 777 8999

IMPORTANT - RETAIN FOR FUTURE REFERENCE

next

PARIS STORAGE BED

Assembly instructions

Fabric content

893451 - 100% Polyester.

890232 - 71% Rayon, 22% Polyester, 7% Linen.

899684 - 50% Cotton, 50% Polyester.

891825 - 60% Rayon, 34% Cotton, 6% Polyester.

663843 - 64% Polyester, 36% Cotton.

672454 - 100% Polyester.

688472 - 50% Polyester, 50% Cotton.

BEFORE YOU START

Warnings

We suggest you retain these instructions for future reference.

Keep fittings out of children's reach and keep children well away from construction area.

This product should only all fittings and re-tighten as necessary.

Please periodically check all fittings and re-tighten as necessary.

Please do not stand on your furniture.

Avoid exposing the furniture to excessive heat or direct sunlight as this can cause deterioration of the colour.

Do's

We suggest you spend a short time reading through this leaflet before you start.

When you are ready to start, make sure that you have the right tools, plenty of space.

Due to the size of this product we recommend that it is assembled in the room intended for use.

Unwrap all packaging materials and place the components on a clean surface to protect them from damage.

We recommend that the packaging is used to protect the surfaces during assembly.

Carefully check that you have all the parts before beginning assembly.

Ensure the product is fully assembled as illustrated and all fixings are fully tightened before use. Check fixings regularly to ensure they remain tight.

When moving your assembled bed. It is best to lift the bed and never to drag it. Please check that the centre support rail is securely fixed in place.

When adjusting the support legs ensure that the foot is set 5-10mm from the floor surface without the mattress in place.

When in use the legs will create the required support for the product.

Never allow any kind of liquid to remain on your furniture. Absorption can cause materials to warp or finishes to de-laminate.

To clean your item, please use a vacuum or lightly brush clean.

Don'ts

Do not tighten screws until fully assembled.

Do not over tighten screws or bolts.

Do not drag or pull your furniture.

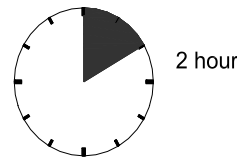
Do not use this product if parts are missing, damaged or worn.

Never use scourers, abrasives or chemical cleaners.

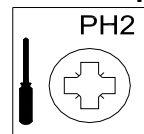
Number of people required to assemble

Two persons are required to assemble this product.

Time to assemble



Tools required



not supplied

Missing parts

If you are missing any fixtures and fittings for your product please contact our customer service team on **0333 777 8999** and they will be happy to arrange for a replacement to be sent to you free of charge.

Home service technicians

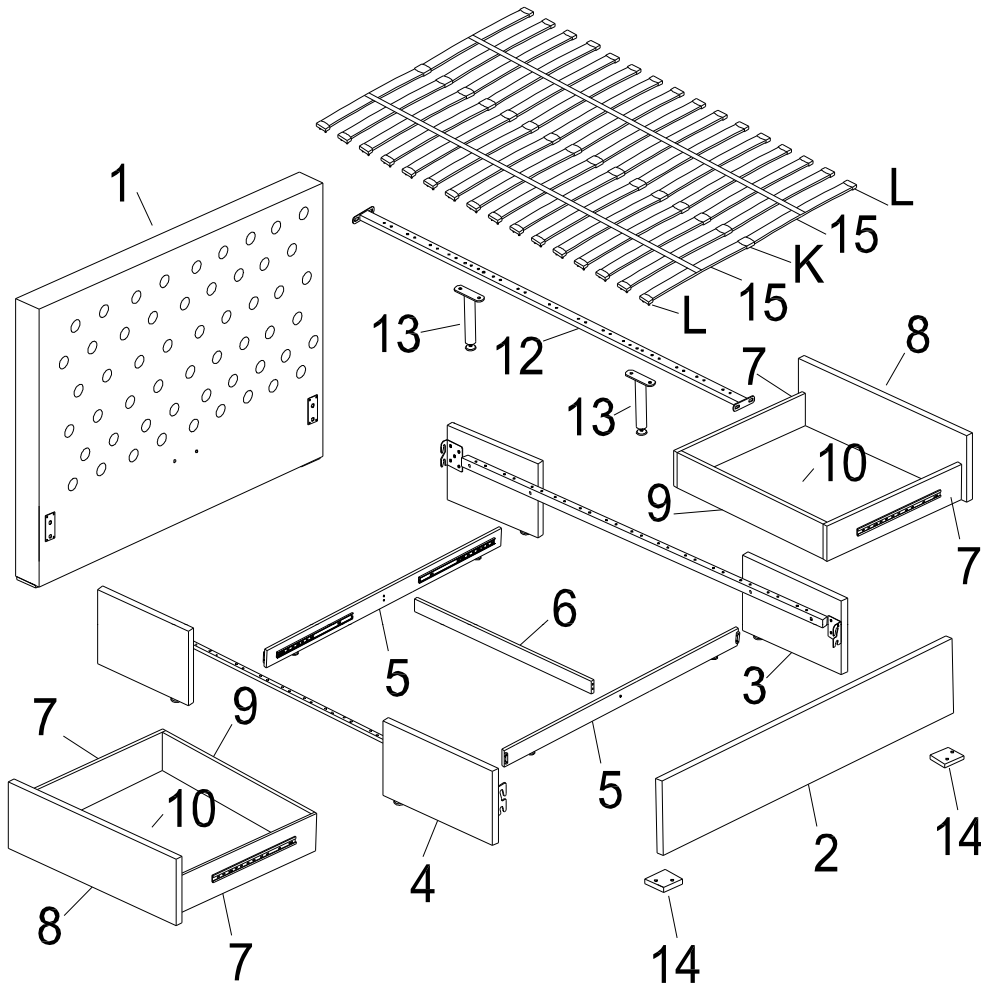
If you have a fault with your product please contact our customer service team on **0333 777 8999**. If you have had the product for 28 days or less you may be offered a replacement, refund or for a fully trained home service technician to visit your home to assess the fault and repair the product where possible. If you have had the product for more than 28 days we will send an independent home service technician to review and repair the product where possible and recommend further action.

You can write to us at

Next Retail Ltd,
Desford Road,
Leicester,
LE19 4AT,

To view our full furniture range please visit www.next.co.uk

GETTING TO KNOW YOUR PRODUCT



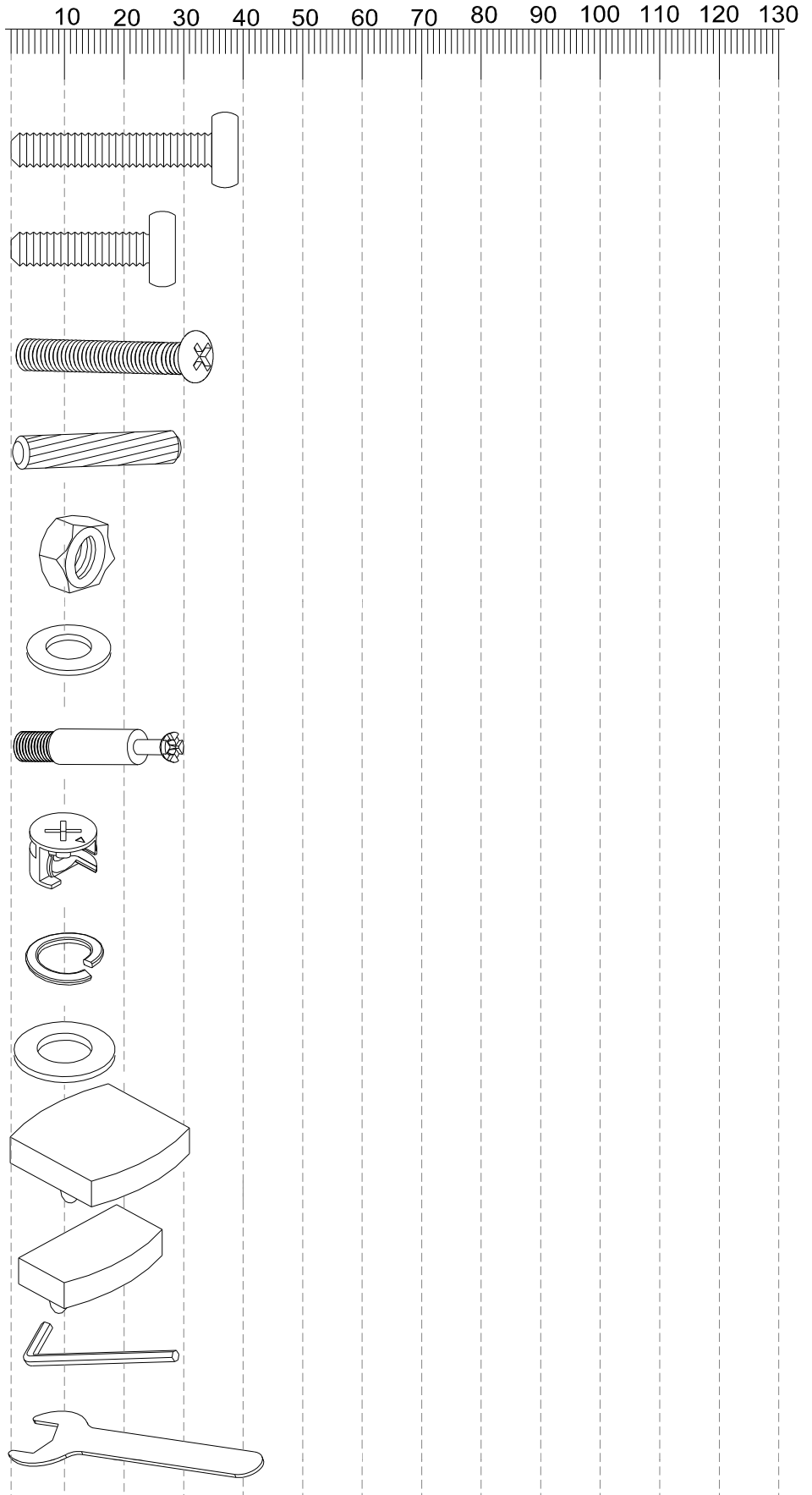
Components supplied. Please use this guide if you require replacement parts.

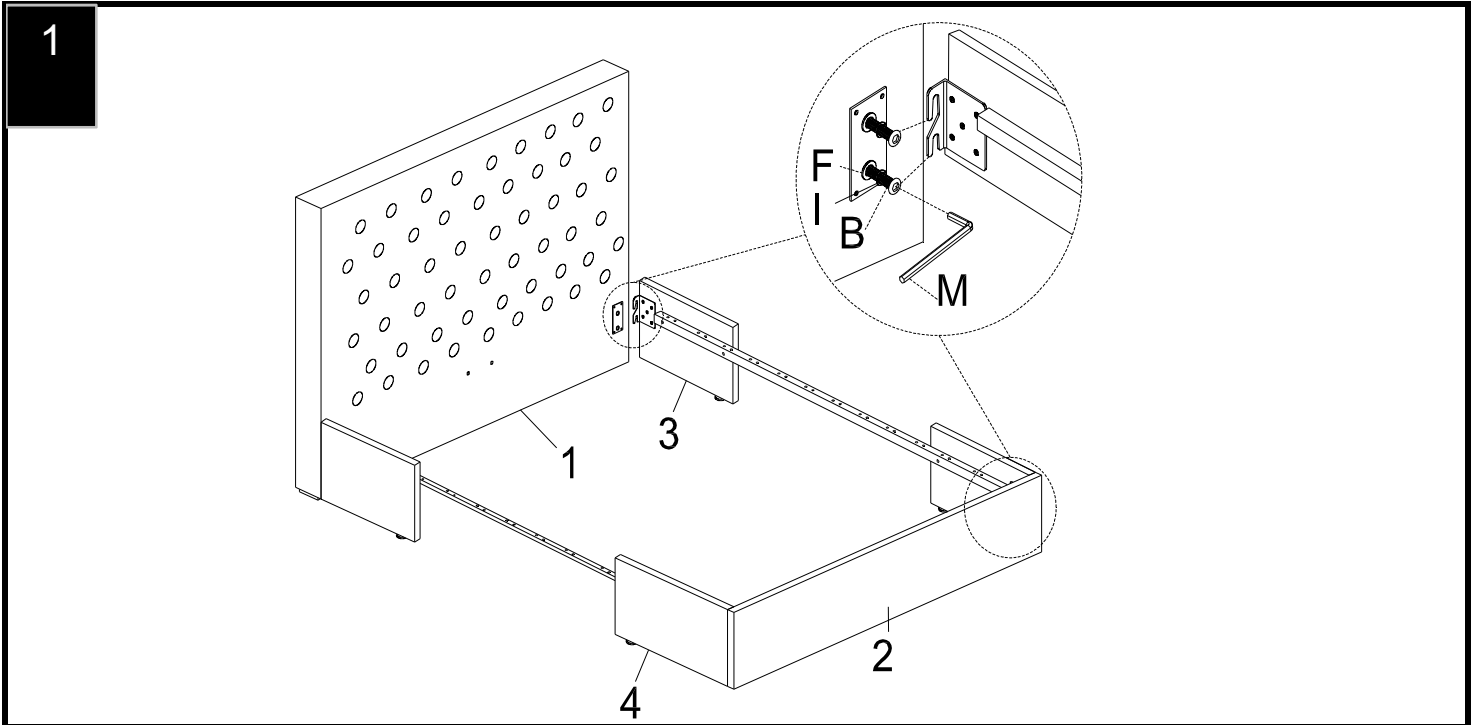
Ref	Dimensions	Visual	Qty	Ctn
1	Headboard		1	1
2	Footboard		1	2
3	Right side rail		1	2
4	Left side rail		1	2
5	Drawer support rail		2	2
6	Drawer cross bar		1	2
7	Drawer side panel		4	3
8	Drawer front panel		2	2

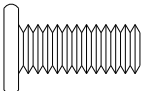
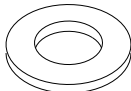
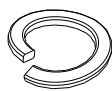
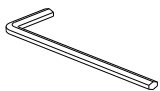
Ref	Dimensions	Visual	Qty	Ctn
9	Drawer back panel		2	3
10	Drawer bottom		2	3
11	Drawer strength rail		2	3
12	Centre rail		1	2
13	Support leg		2	2
14	Leg		2	2
15	Slats		32	4

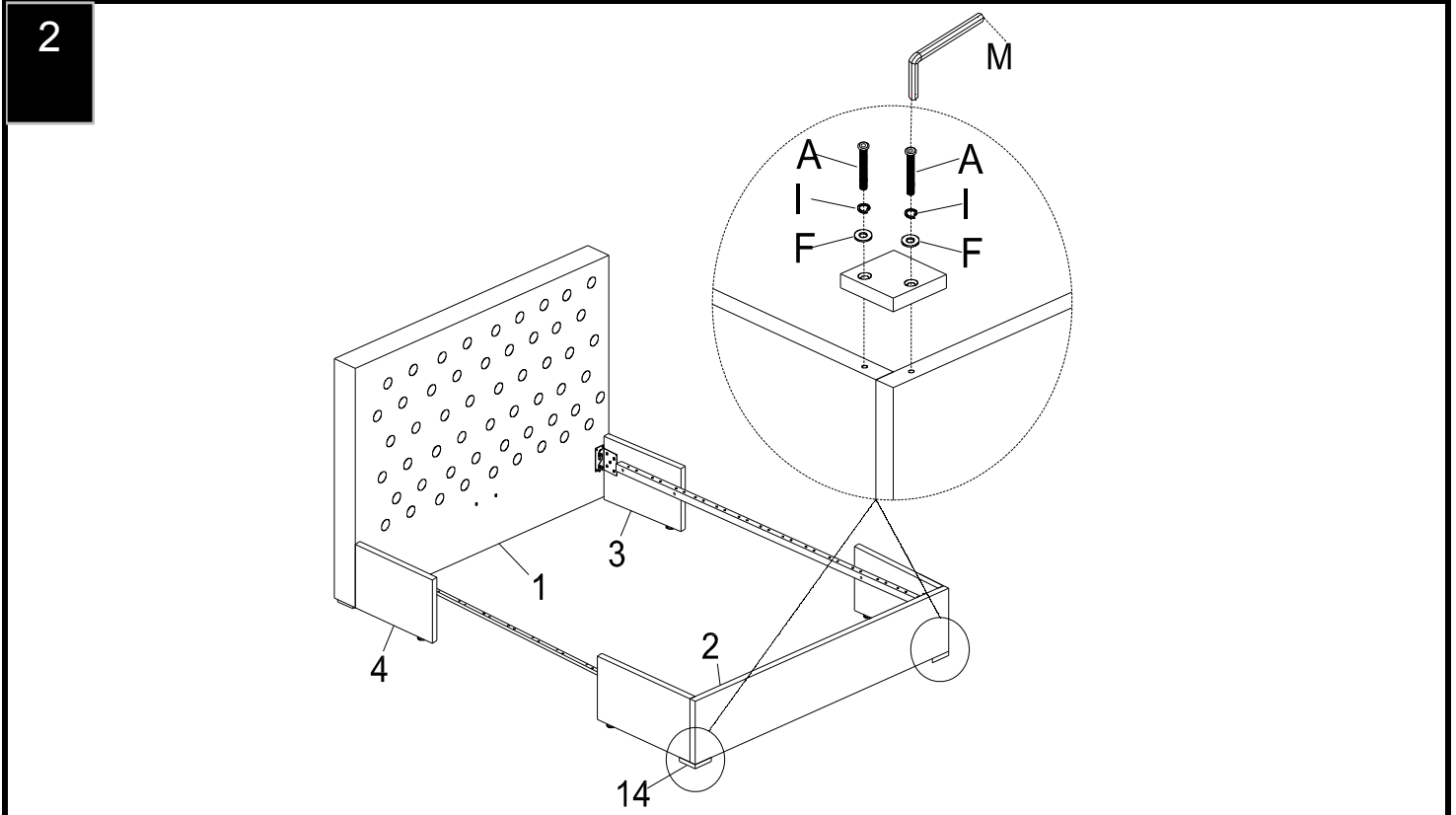
Fixtures and fittings supplied

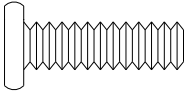
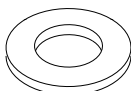

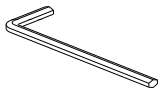
Ref	Dimensions	Qty
A	M6x35	14
B	M6x25	12
C	M8x35	4
D	Ø8*30mm	18
E	M8	4
F	M6	26
G	4*29mm	16
H	65*60mm	16
I	M6	26
J	M8	8
K	65*60mm	16
L	65*30mm	32
M	M6	1
N	M8	1



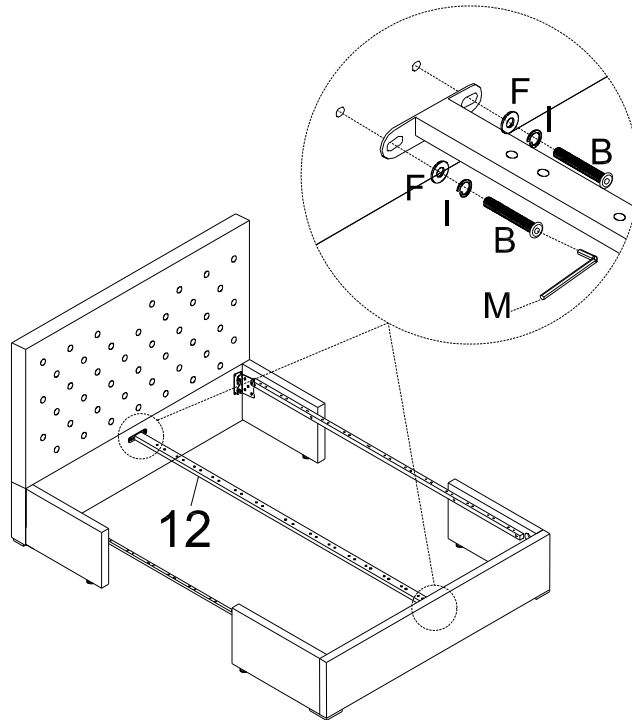


<p>B x8 M6 x 25mm</p> 	<p>F x8 M6</p> 	<p>I x8 M6</p> 	<p>M x1 M6</p> 
--	---	---	---

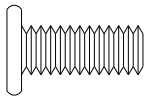


<p>A x4 M6 x 35mm</p> 	<p>F x4 M6</p> 	<p>I x4 M6</p> 	<p>M x1 M6</p> 
--	---	---	---

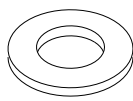
3



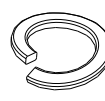
B x4 M6 x 25mm



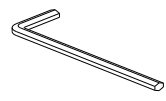
F x4 M6



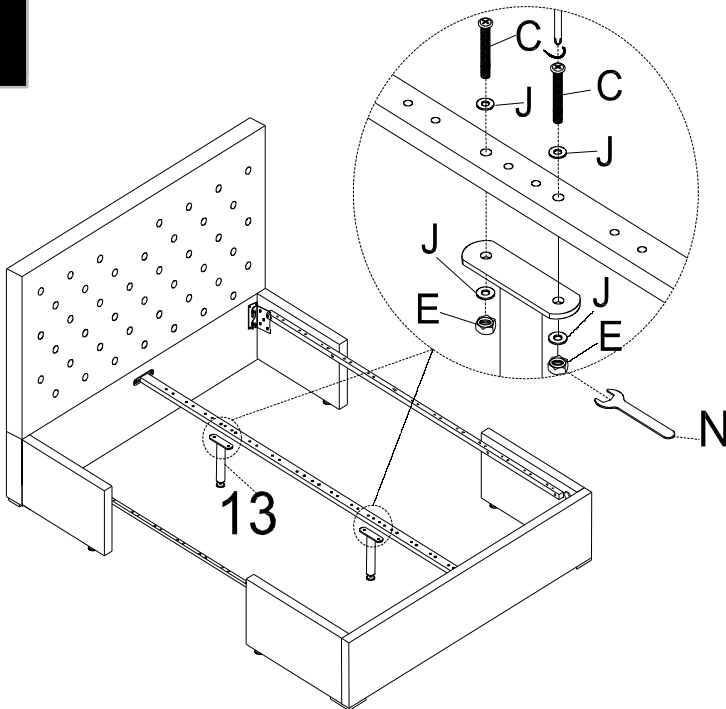
I x4 M6



M x1 M6



4

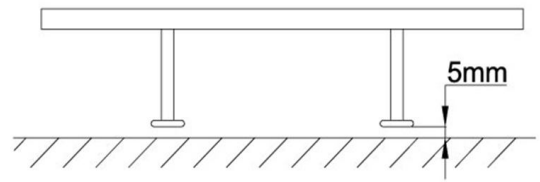


IMPORTANT

Once the feet have been assembled and attached, they should be adjusted to ensure they do not touch the floor, (5mm above the floor) to allow for movement once the mattress is placed on the bed frame.

It is important to note that when moving the bed that it is not dragged into its new position to prevent the possibility of these feet being twisted or angled to one side, which could lead to the collapse of the centre of the bed.

To move the bed, remove the mattress and lift the bed into its new position to avoid damage. Ensure the feet are at 90° to the floor before replacing the mattress.

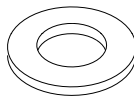


PH2 **C x4** M6 x 35mm



not supplied

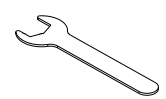
J x8 M8



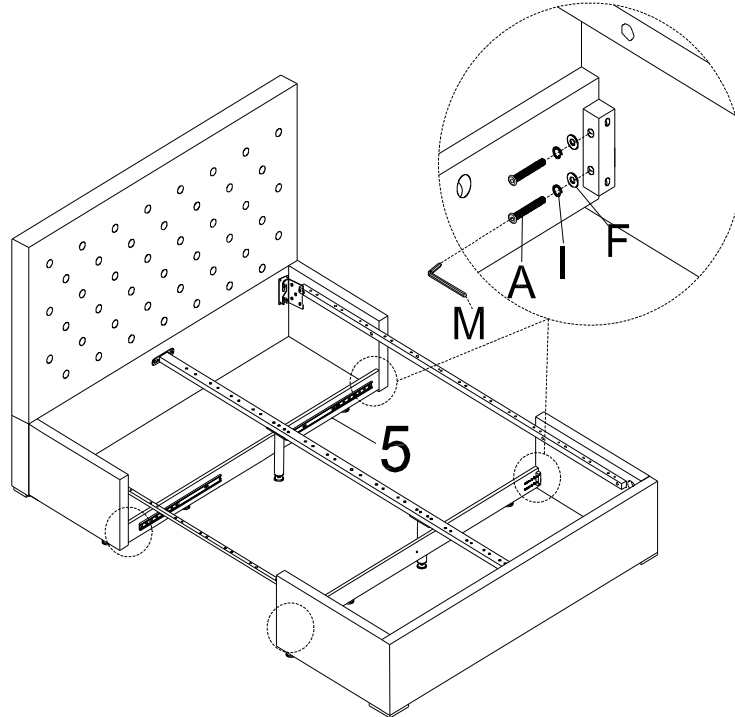
E x4 M8



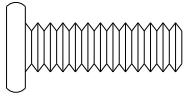
N x1 M8



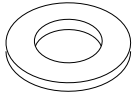
5



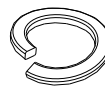
A x8 M6 x 35mm



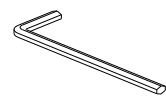
F x8 M6



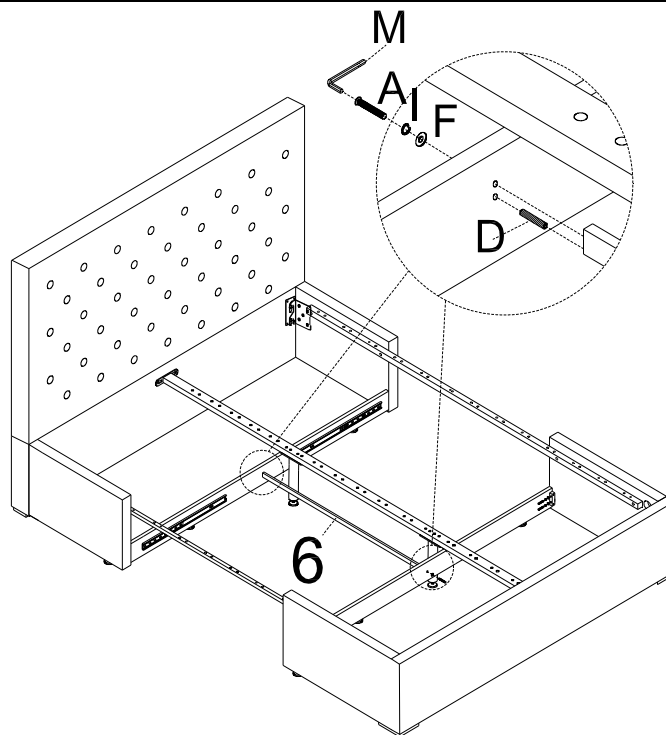
I x8 M6



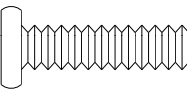
M x1 M6



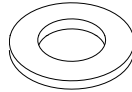
6



A x2 M6 x 35mm



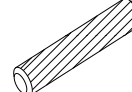
F x2 M6



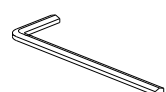
I x2 M6

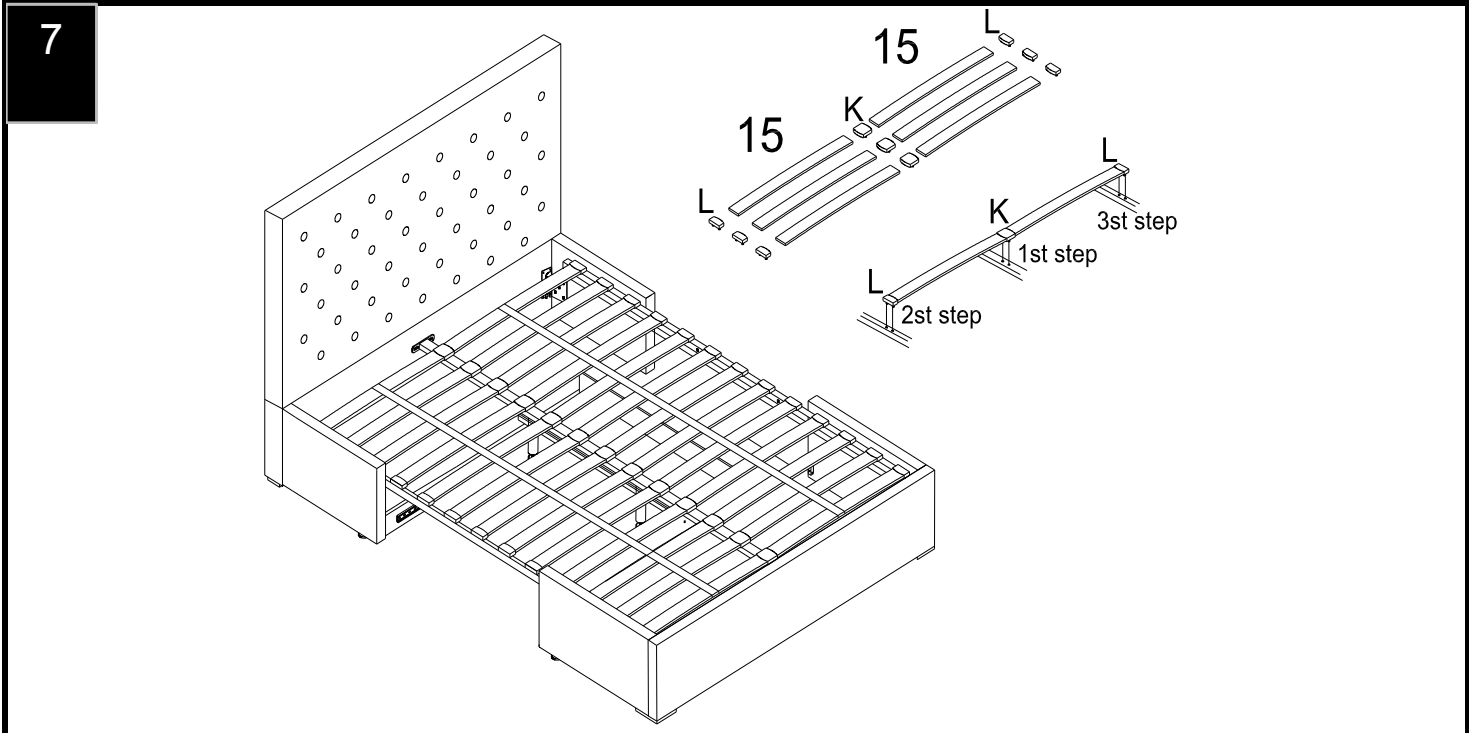


D x2 $\Phi 8 \times 30 \text{mm}$

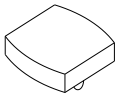


M x1 M6

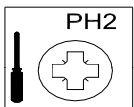
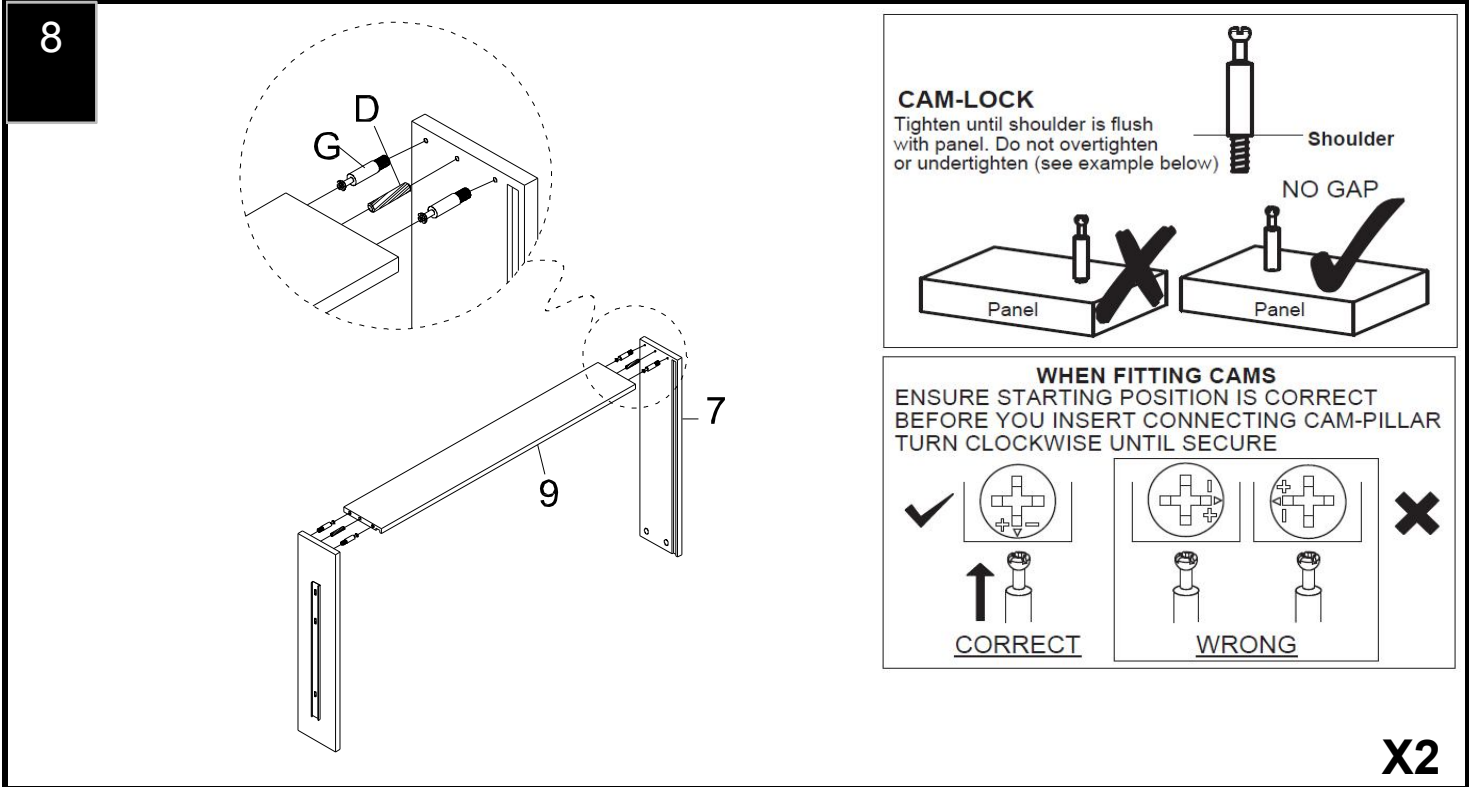
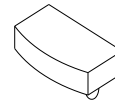




K x16 65 x 30mm

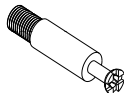


L x32 65 x 60mm



not supplied

G x8 4 x 29mm



D x4 $\Phi 8 \times 30$ mm

