

next

PARIS FLIP MINK BED

663843

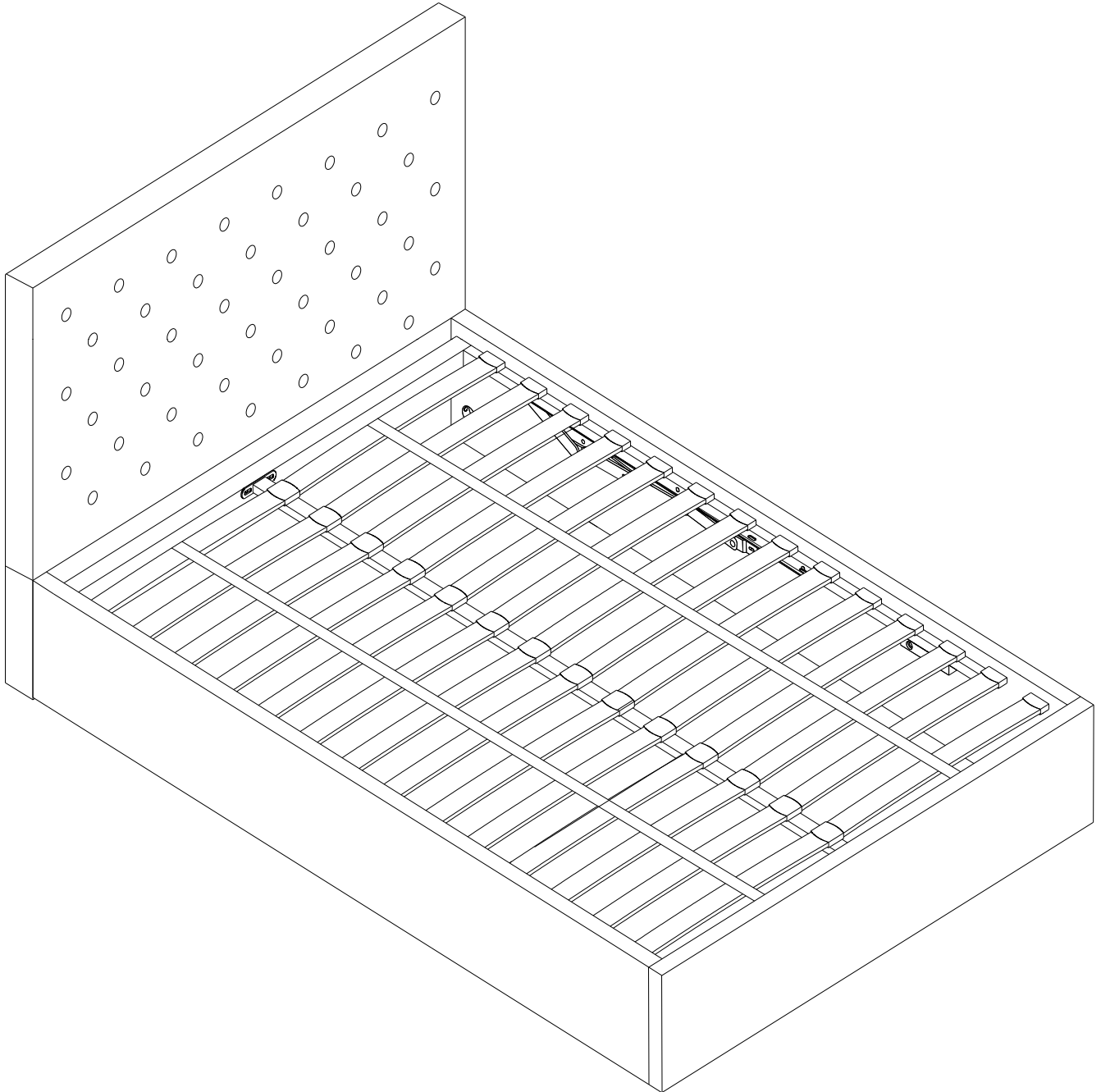
Assembly instructions

Actual product size

H115.5 x W145 x D205cm (Double)

H115.5 x W160 x D215.5cm (King)

H115.5 x W190 x D215.5cm (Super King)



IMPORTANT - RETAIN FOR FUTURE REFERENCE

BEFORE YOU START

Warnings

Important: Retain these instructions for future reference.

Unwrap all packaging materials and place the components on top of the carton box or on a clean floor to prevent it from scratching.

This product should only be used on firm, level ground.

Keep small parts out of reach of children.

Do's

We suggest you spend a short time reading through this leaflet before you start.

When you are ready to start, make sure that you have the right tools, plenty of space and a clean, dry area for assembly.

Check the pack and make sure you have all the parts listed.

During assembly children should be kept away from the product due to possible risk of injury.

Tools not included.

Due to the size of this product we recommend that it is assembled in the room intended for use.

Ensure that this product is fully assembled as illustrated before use.

Check all screws or bolts are tightened and inspect regularly.

To clean, wipe with a sponge and warm soapy water. Do not use solvent based cleaners or detergents as they can bleach or damage the product.

Don'ts

Do not use power tools to construct this product.

Do not tighten screws until fully assembled.

Do not overtighten screws or bolts.

Do not stand on the product.

Do not use this product if parts are missing, damaged or worn.

Never use scourers, abrasives or chemical cleaners.

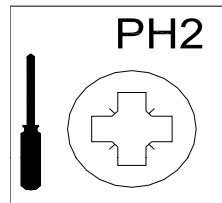
Number of people required to assemble

Two person are required to assemble this product.

Time to assemble



Tools required



not supplied

Missing parts

If you are missing any fixtures and fittings for your product please contact our customer service team on **0333 777 8999** and they will be happy to arrange for a replacement to be sent to you free of charge.

Home service technicians

If you have a fault with your product please contact our customer service team on **0333 777 8999**. If you have had the product for 28 days or less you may be offered a replacement, refund or for a fully trained home service technician to visit your home to assess the fault and repair the product where possible. If you have had the product for more than 28 days we will send an independent home service technician to review and repair the product where possible and recommend further action.

You can write to us at

Home Customer Services
Next Retail Ltd,
Desfore Road,
Leicester,
LE19 4AT,

To view our full furniture range please visit www.next.co.uk

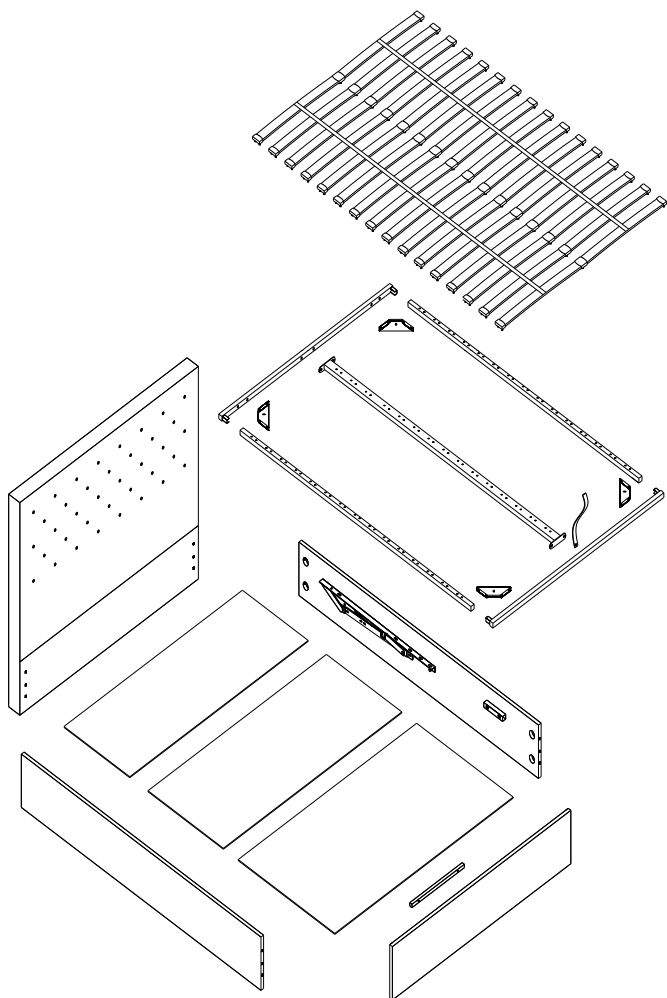
next

PARIS FLIP MINK BED

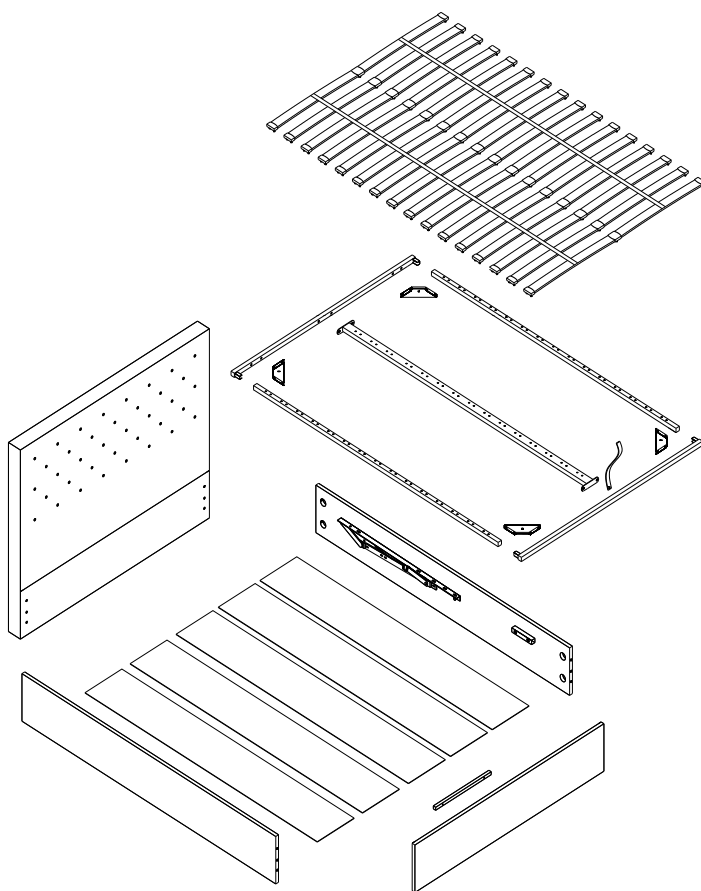
663843

Assembly instructions

GETTING TO KNOW YOUR PRODUCT



Double



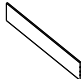

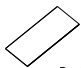
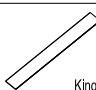
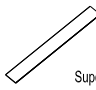




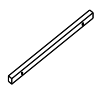




King & Super King



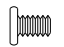
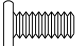







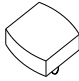
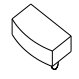

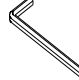

CUSTOMER HELPLINE

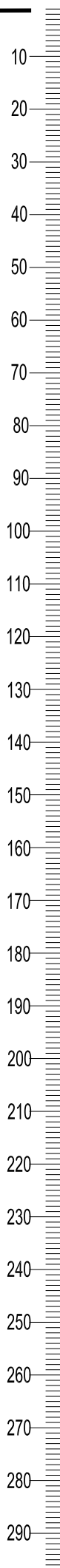
If you have any problem with this product or require any replacement fittings please contact customer services **0333 777 8999**

Components supplied

Ref	Dimensions	Visual	Qty
1	Head board		1
2	Footboard		1
3	Right side rail		1
4	Left side rail		1
5	Bottom panel	 Double	3
	Bottom panel	 King	5
	Bottom panel	 Super King	6
6	Centre rail		1
7	Metal longrail		2
8	Metal short rail		2
9	Triangle metal plate		4
10	FB support rail		1
11	Handle		1
12	Slats		32

Fixtures and fittings supplied

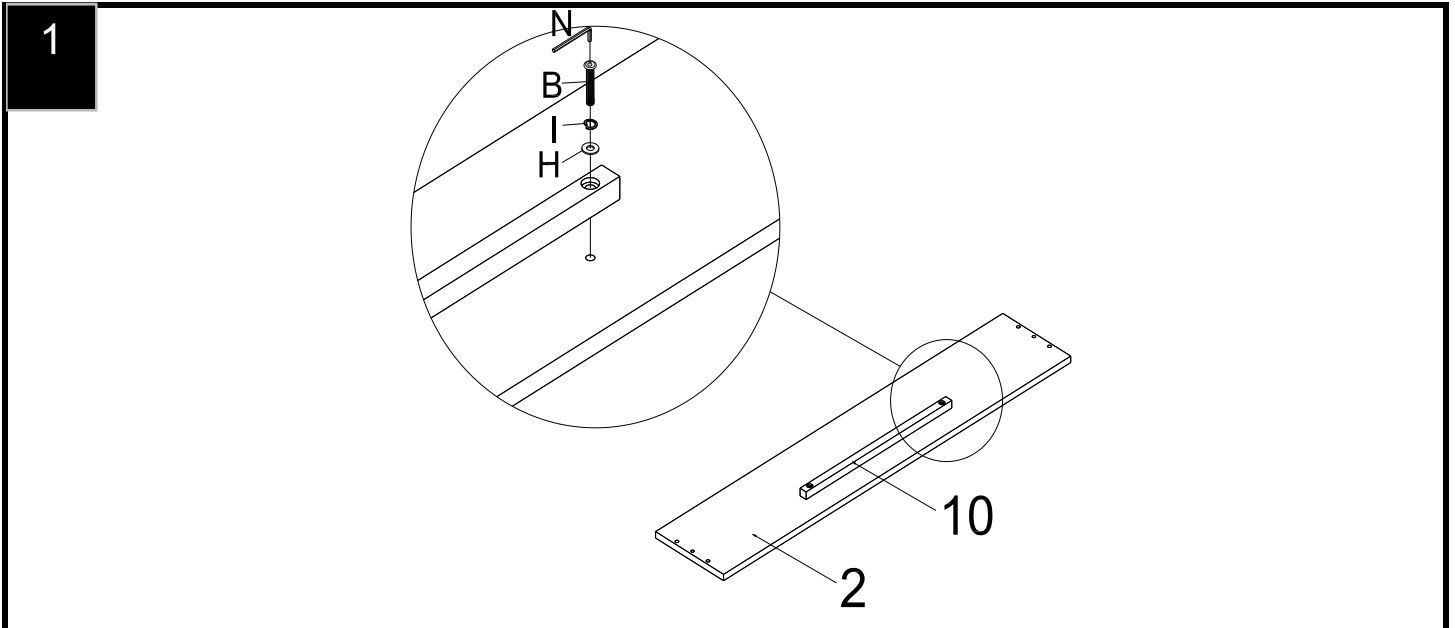
Ref	Dimensions	Visual	Qty
A	M6x50		8
B	M6x35		2
C	M6x20		20
D	M8x40		6
E	M6x10		4
F	M8		8
G	M8		14
H	M6		22
I	M6		22
J	M8		12
K	Ø10*40mm		4
L	65*60mm		16
M	65*30mm		32
N	M6		1
O	M8		1
P	M8		1



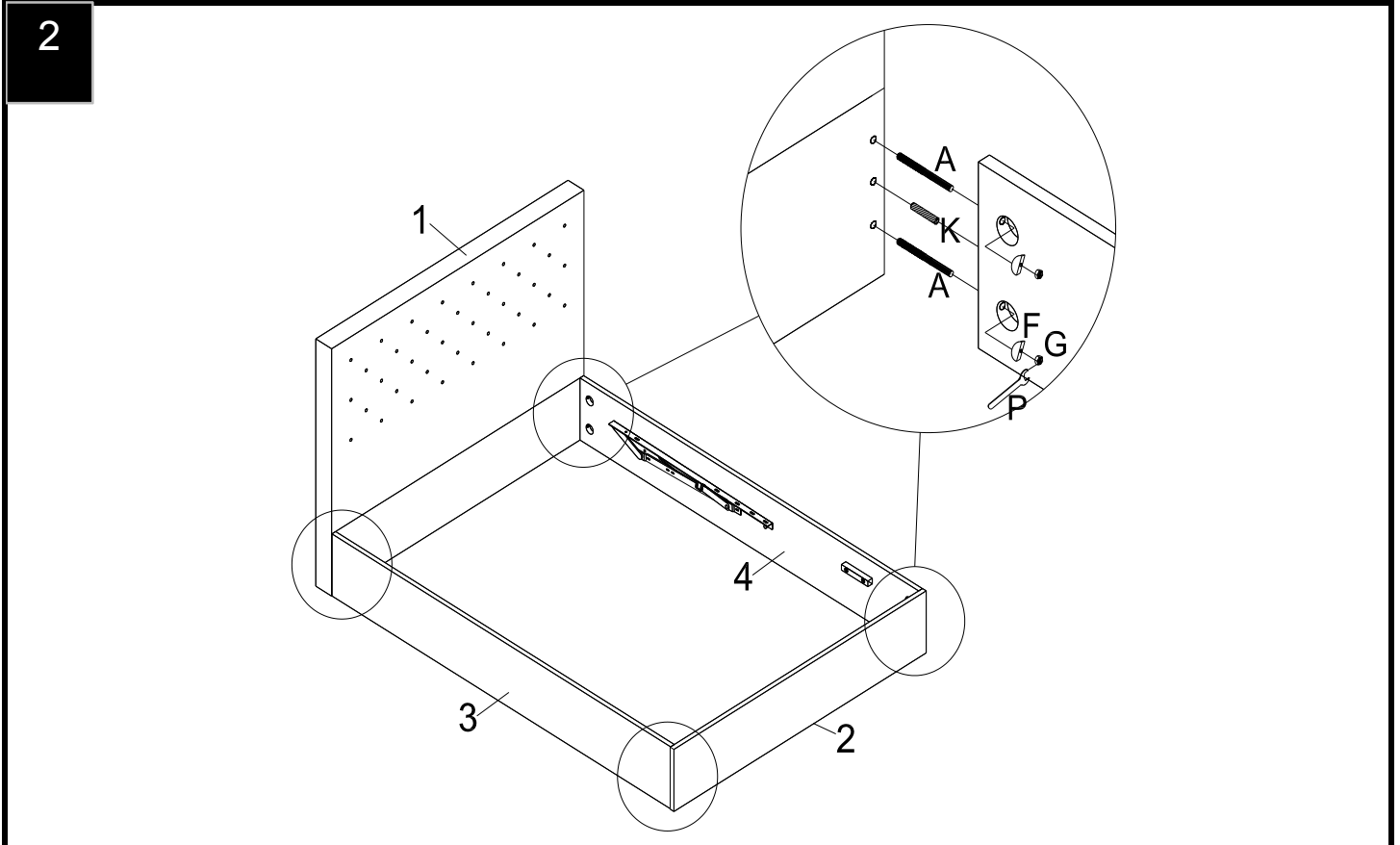
next PARIS FLIP MINK BED

663843

Assembly instructions



B x2 M6 x 35mm	H x2 M6	I x2 M6	N x1 M6



A x8 M6 x 50mm	F x8 M6	G x8 M6	K x4 $\phi 10 \times 40$ mm	P x1 M8

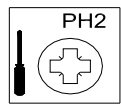
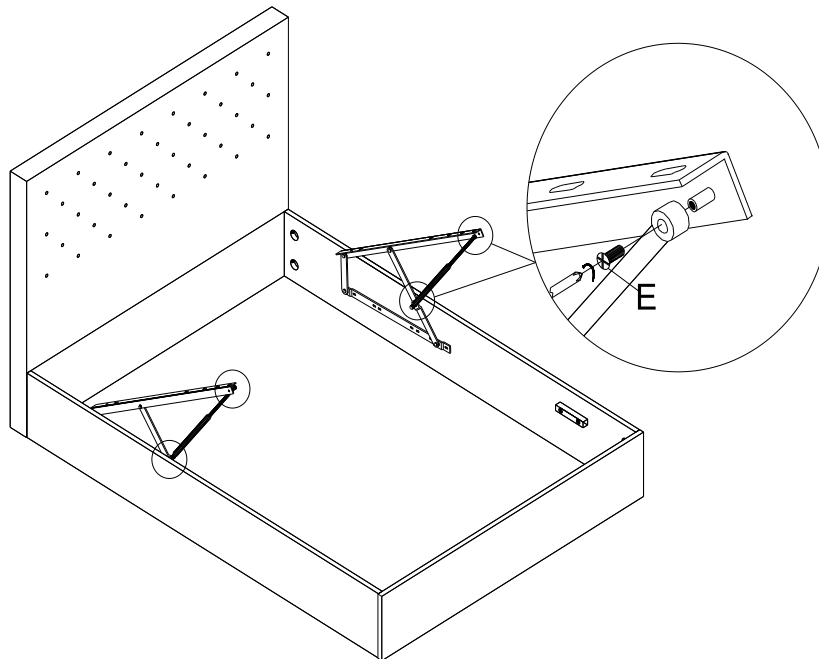
Produced in China for Next Retail Ltd.

Version 1

next PARIS FLIP MINK BED

663843
Assembly instructions

3



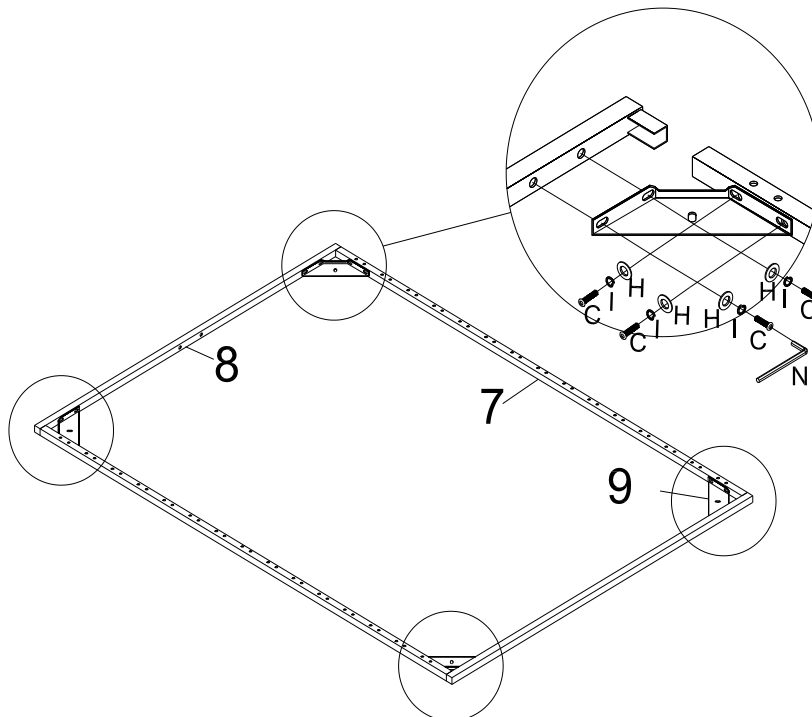
not supplied

E x4

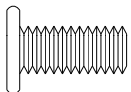
M6 x 10mm



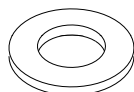
4



C x16 M6 x 20mm



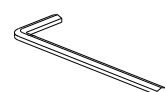
H x16 M6



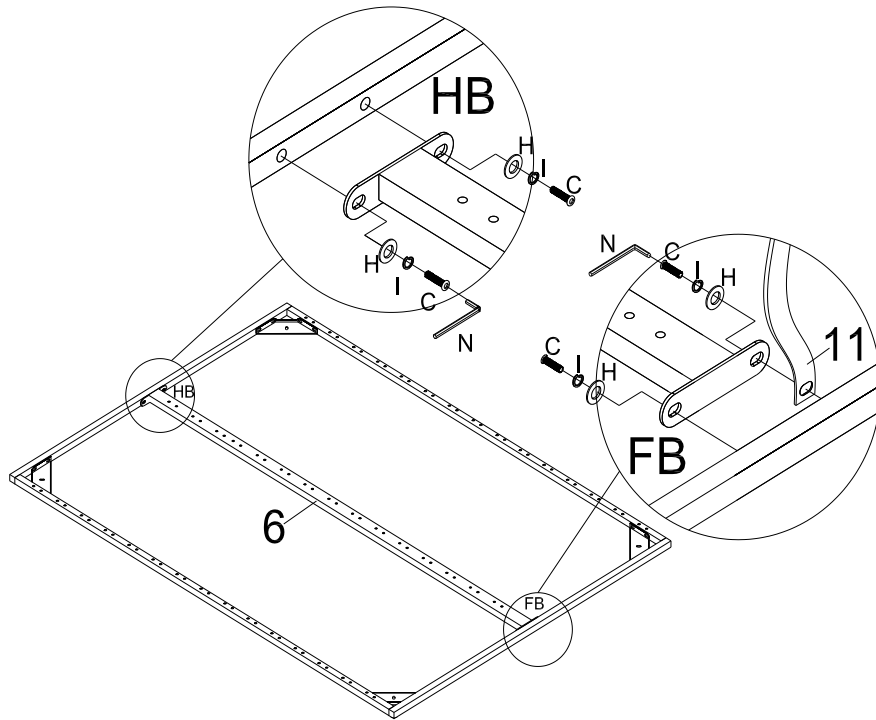
I x16 M6



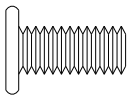
N x1 M6



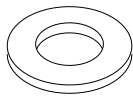
5



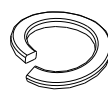
C x4 M6 x 25mm



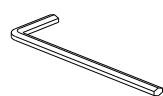
H x4 M6



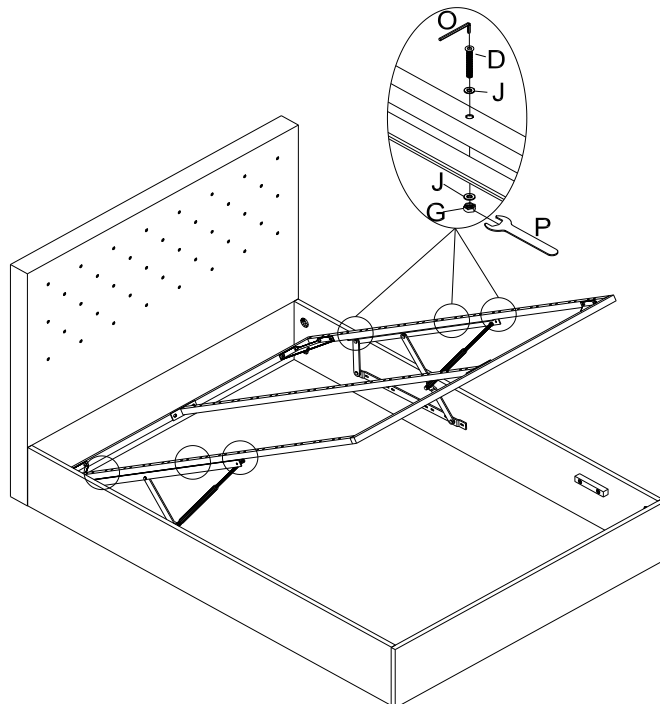
I x4 M6



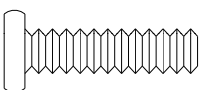
N x1 M6



6



D x6 M8 x 40mm



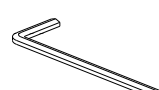
J x12 M6



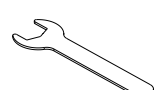
G x6 M6



O x1 M8



P x1 M8



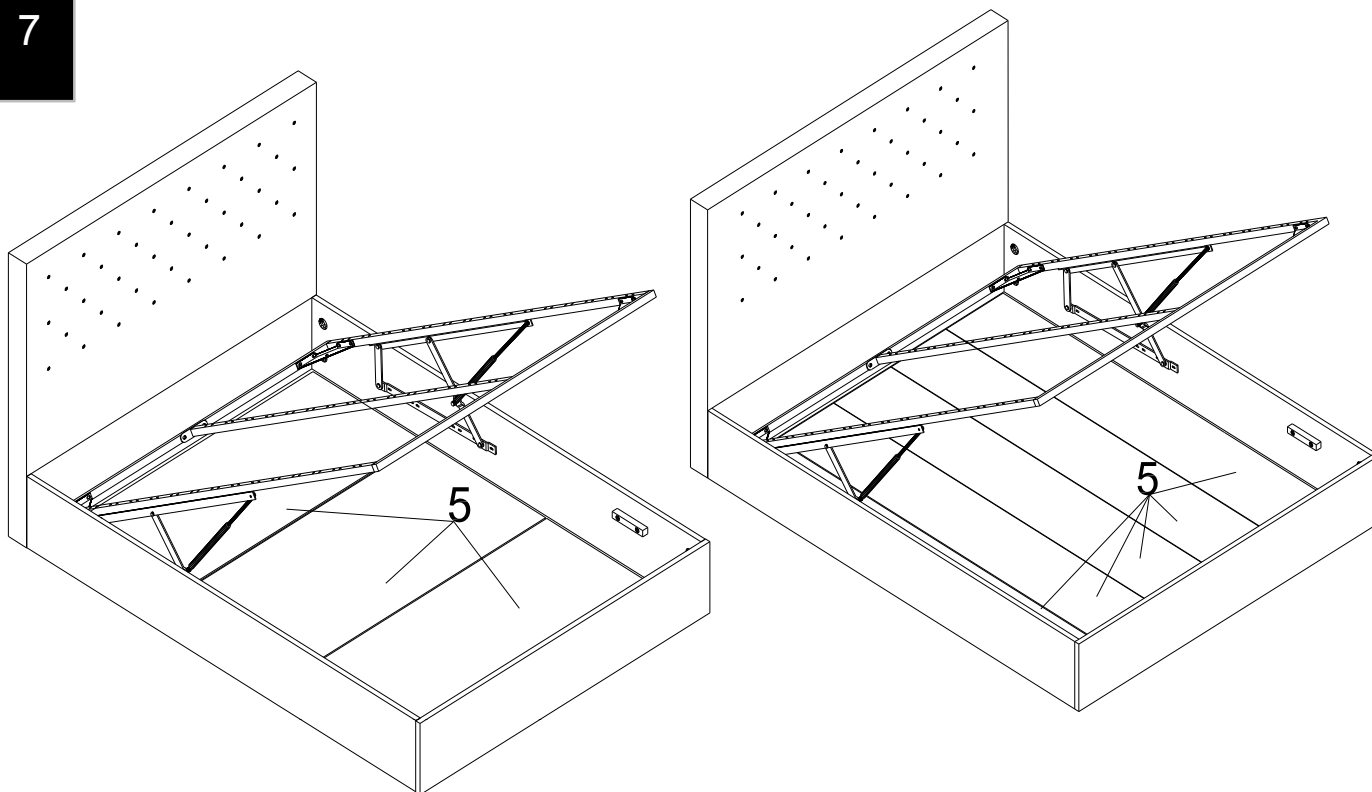
next

PARIS FLIP MINK BED

663843

Assembly instructions

7

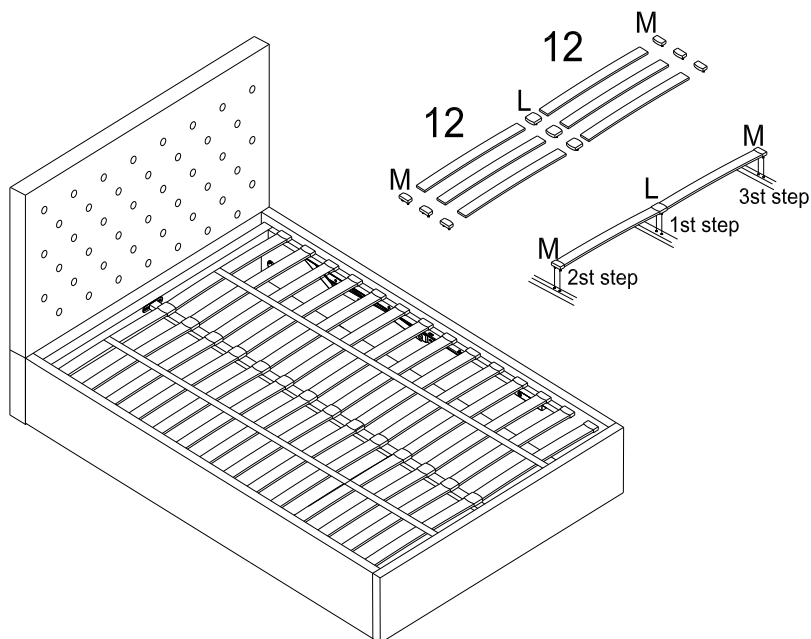


Double size

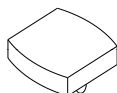
King and Super King

DOUBLE 3PCS BOTTOM PANEL, KING 5PCS BOTTOM PANEL, SUPER KING 6PCS BOTTOM PANEL

8



L x16 35 x 30mm



Mx32 65 x 60mm

