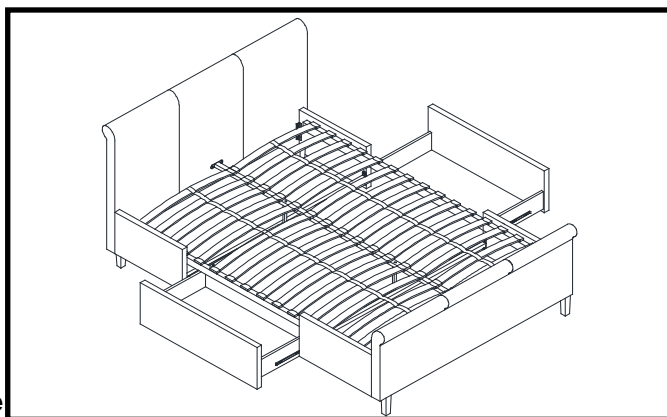
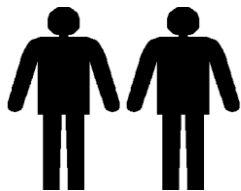


ASSEMBLY INSTRUCTIONS.**IMPORTANT - RETAIN FOR FUTURE REFERENCE - READ CAREFULLY.****Tools Needed****Helpline**

If you have any problems with this product or require any replacement fittings please contact Customer Services Tel: 0333 777 8999

Regrettably self assembly items cannot be returned once assembly is part or fully completed unless the item is found to be faulty. Should you need to return the unassembled product, please repack in the original packaging.

IMPORTANT

- We suggest you spend a short time reading through this leaflet and then follow the simple step-by-step instructions.
- Carefully check that you have all parts before beginning assembly.
- Keep fittings out of children's reach and keep children well away from the construction area.
- We recommend that the packaging is used to protect the surfaces during assembly.
- A minimum of 2 persons is required to assemble this product.

PRODUCT INFORMATION

- Fabric composition: 58% cotton, 42% viscose.
- Made in China.

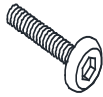
CARE INSTRUCTIONS

- For general cleaning, periodically dust with a soft cloth.
- Clean regularly using a vacuum cleaner or clean soft brush.
- There may be indentations in the upholstery from the internal packaging; this will come out over time .
- Care should be taken to avoid spilling anything on the upholstery. If spillage occurs act promptly and soak up any liquids by blotting with a clean absorbent cloth and allow to dry naturally. Never rub stains. Never use a wet cloth.
- For dirty marks, use a dampened cloth with cold clean water. For more stubborn stains soak the cloth first in
- Avoid sharp objects that may damage the surface such as keys, buckles, coins etc
- Do not allow pets on leather upholstery.

BED FITTINGS



A. Bolts x 16
M8 x 15 mm



B. Bolts x 2
M6 x 40 mm



C. Bolts x 8
M6 x 20 mm



D. Bolts x 4
M8 x 20 mm



E. Allen Key x 1
4mm



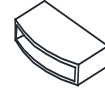
F. Allen Key x 1
5mm



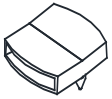
G. Spanner x 1
13mm



H. Adjustable Feet x 2



I. Plastic Caps
(one end open) x 32



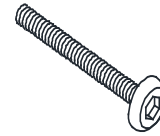
J. Plastic Cap
(2 ends open) x 16



K. Washer
X 24 (M8)
(4pcs in Wooden Feet)

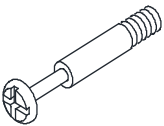


L. Washer
X 10 (M6)



M. Bolts x 4
M8 x 160 mm
(in Wooden Feet)

DRAWER FITTINGS

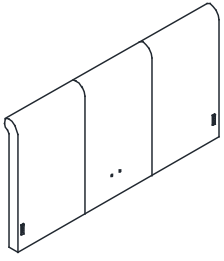


N. Rafix Cam Bolt x 34

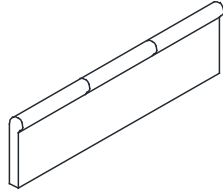


O. Cam x 34

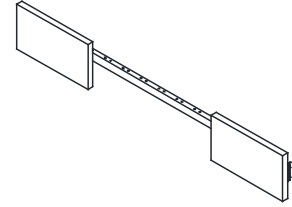
BED PARTS



(1) Headboard x 1



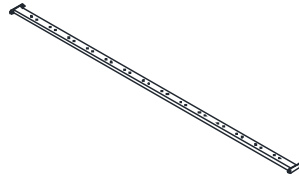
(2) Footboard x 1



(3) Side Rail x 2



(4) Wooden Feet x 4



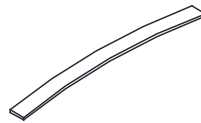
(5) Center Rail x 1



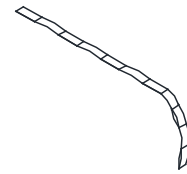
(6) Supporting Tube x 2



(7) Supporting Legs x 2

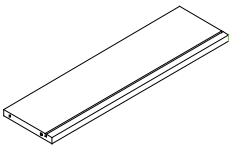


(8) Sprung Slats x 32

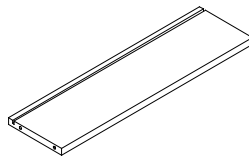


(9) Fabric Strap x 2

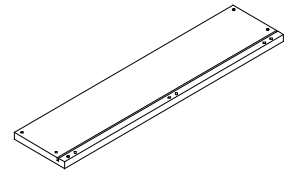
DRAWER PARTS



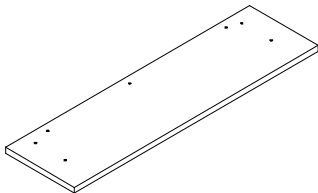
(10) Side Panel (Right) x 2



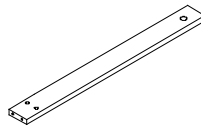
(11) Side Panel (Left) x 2



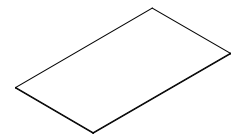
(12) Back Panel x 2



(13) Front Panel x 2



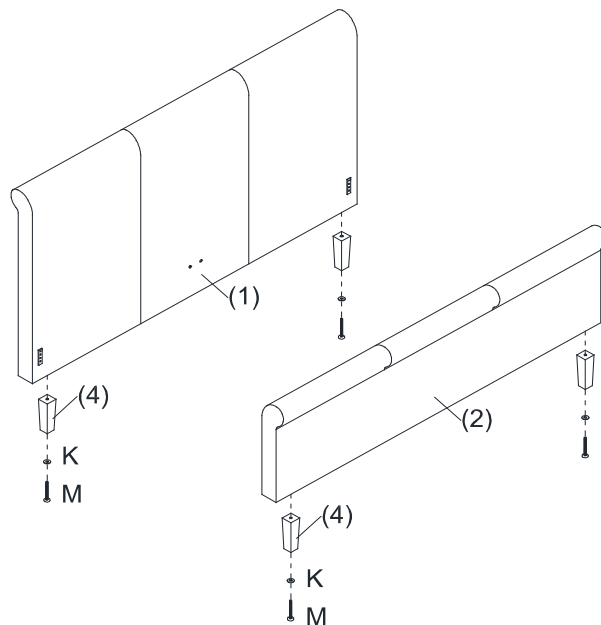
(14) Lathing x 6



(15) Bottom Plateboard x 2

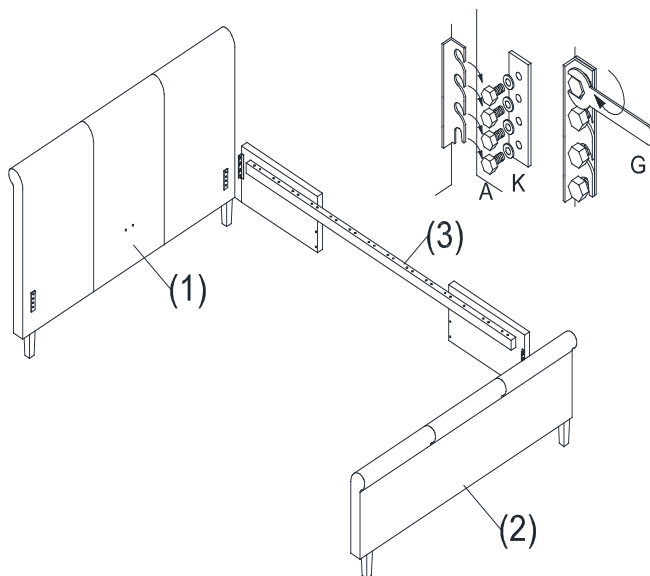
STEP ONE

Attach Wooden Feet (4)X4 by using Allen key (F) ,washer (K) X 4 and Bolts (M) X 4 to Headboard (1) and Footboard (2).



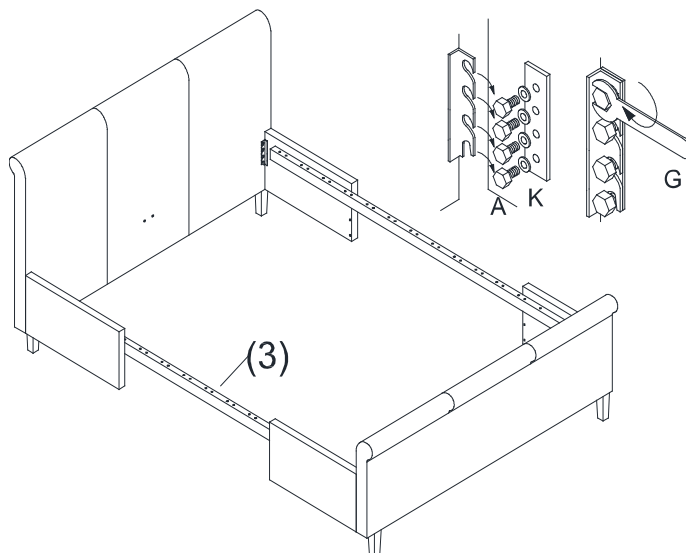
STEP TWO

Attach headboard (1)and footboard (2) to siderails (3) using Spanner (G) ,washer (K) X 4 and bolt (A) X 4.



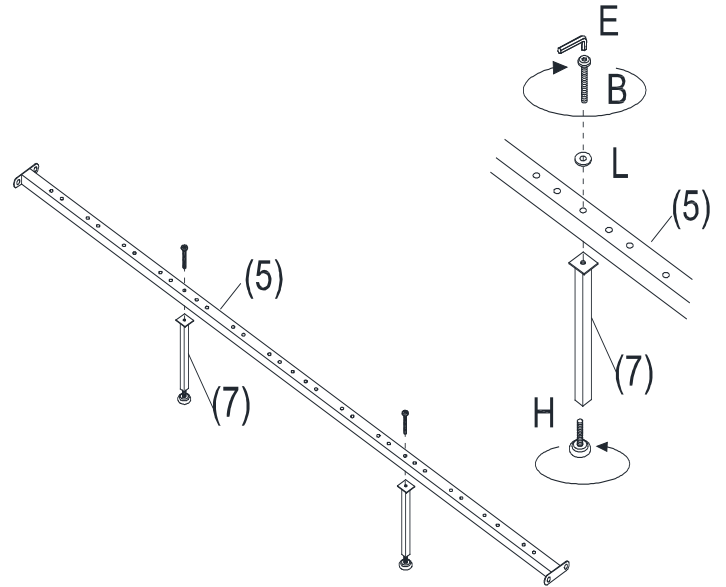
STEP THREE

Attach headboard (1)and footboard (2) to siderails (3) using Spanner (G),washer (K) X 4 and bolt (A) X 4.



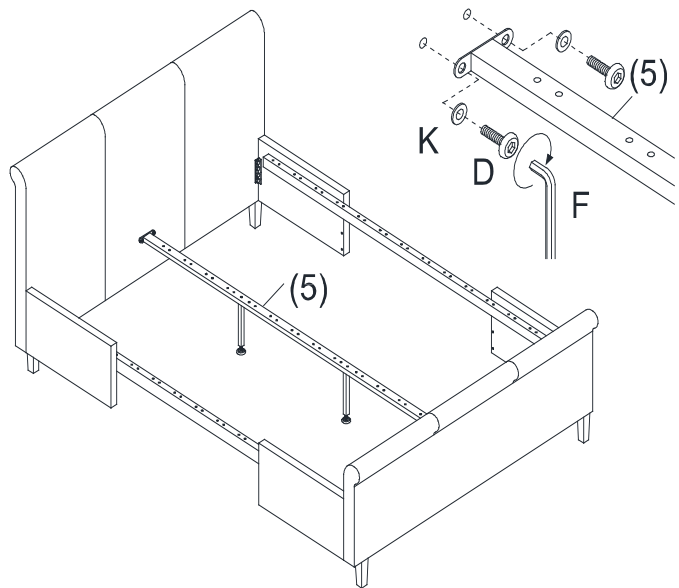
STEP FOUR

Attach Supporting Legs (7)X2 to Supporting Tube (5) by using Bolts (B) X 2, washer (L) X 2 , adjustable feet (H) X 2 and Allen key (E).



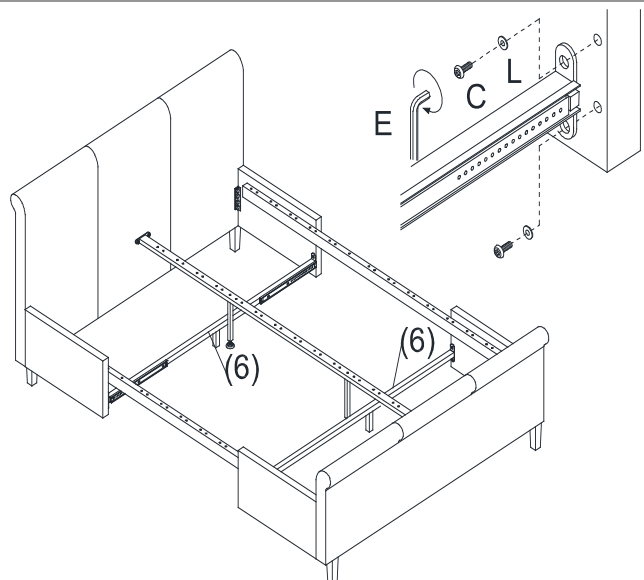
STEP FIVE

Attach the Supporting Tube (5) to Headboard (1) and Footboard (2) by using Allen Key (F) and bolt (D) X 4 and washer (K) X 4



STEP SIX

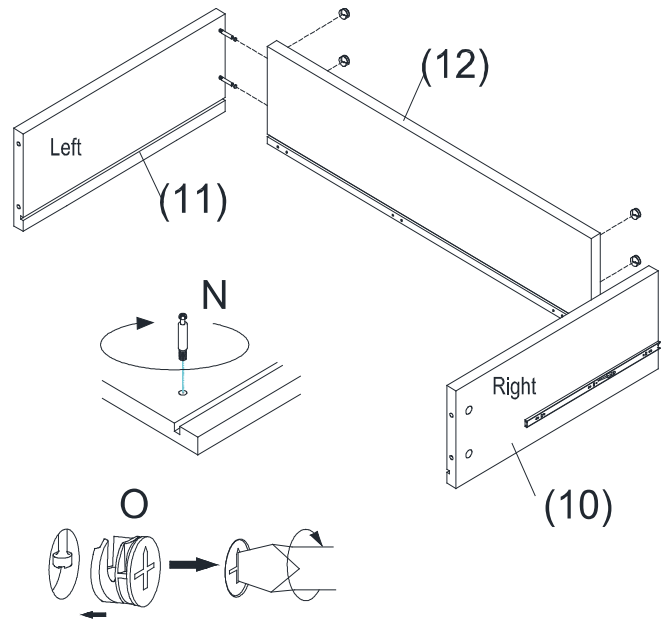
Fix supporting tube (6) with siderials by using Allen key (E) , Bolt (D) X 8 and washer (L) X 8



STEP SEVEN

Assemble drawer by using left side panel (11) and right side panel (10) and Back panel (12), with tools Rafix Cam Bolt (N) x 4 and Cam (O) x 4

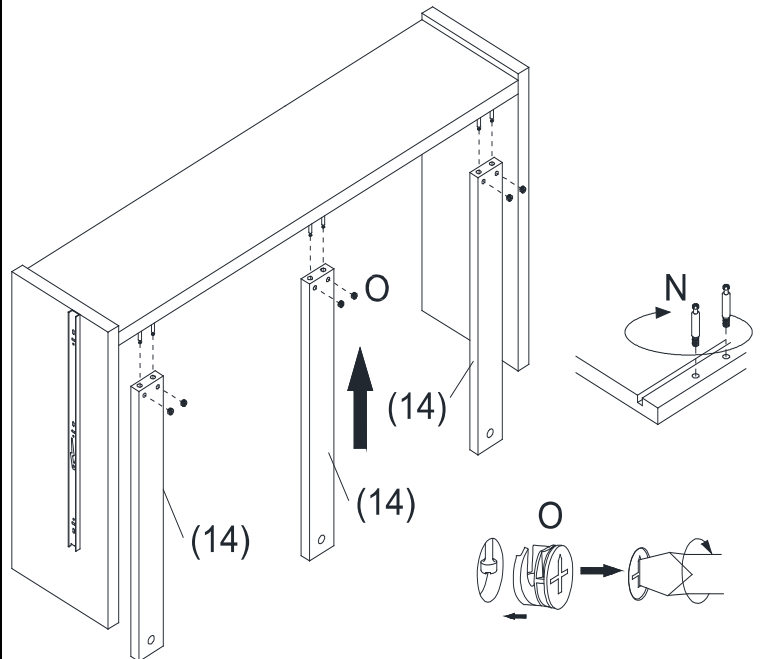
Note : need a screw driver , which is not provided



STEP EIGHT

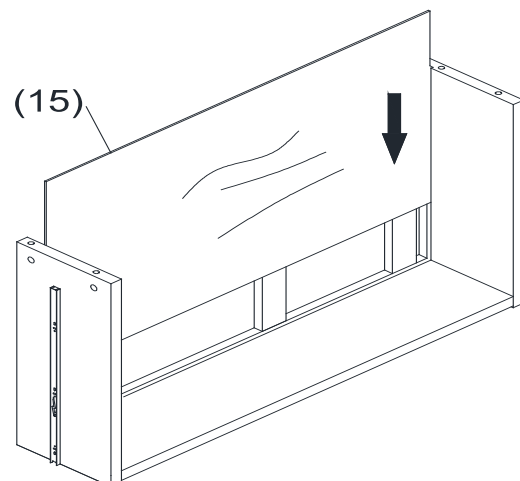
Attach the Lathing (14) to Back panel (12) by using Rafix Cam Bolt (N) x 6 and Cam (O) x 6

Note : need a screw driver , which is not provided



STEP NINE

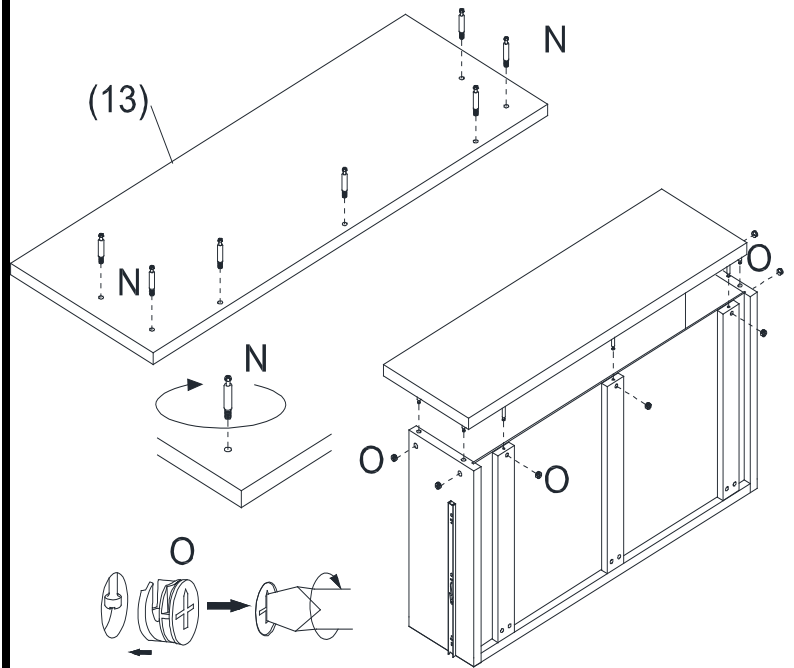
Insert Bottom plateboard (15)



STEP TEN

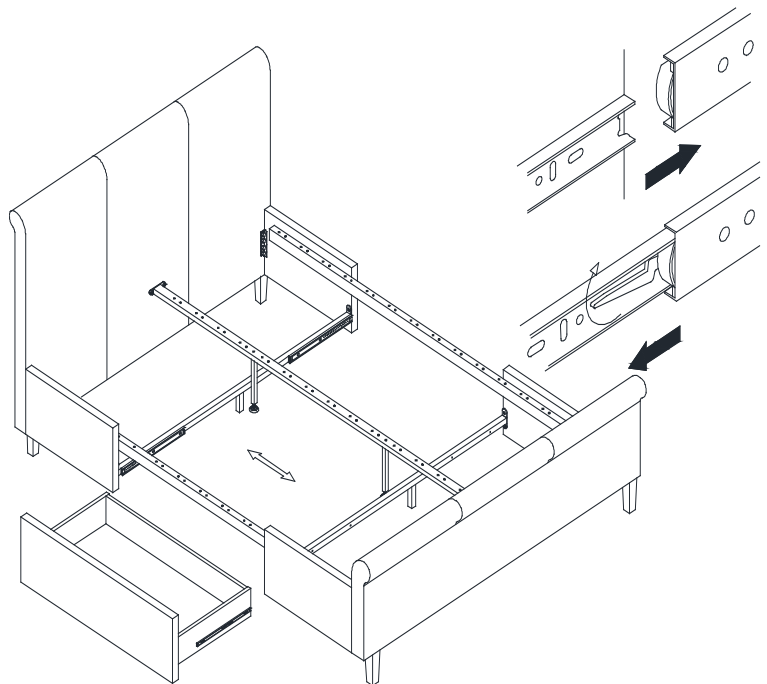
Fix Front Panel (13) by using Rafix Cam Bolt (N) x 7
and Cam (O)x 7

Note : need a screw driver , which is not provided



STEP ELEVEN

Insert the assembled drawer into the bed frame



STEP TWELVE

Assemble the sprung slats as following.

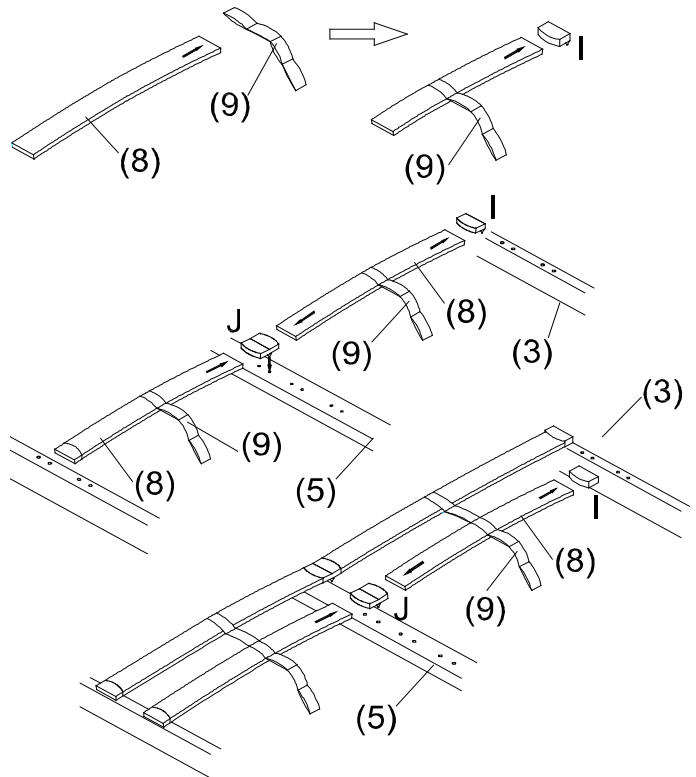
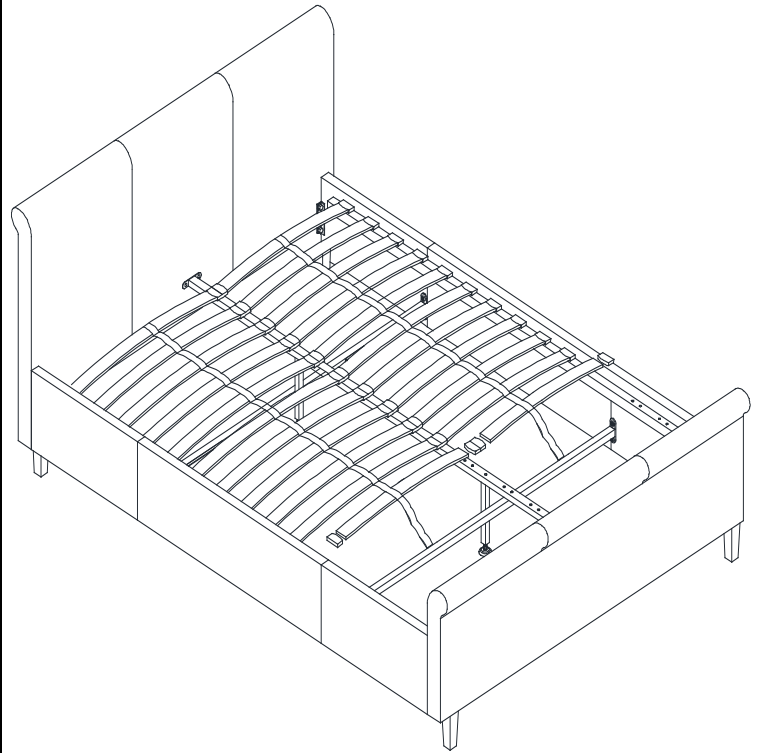
1. Insert Sprung Slats (8) into the Straps (9).

2. Insert Sprung Slats (8) into Caps (I).

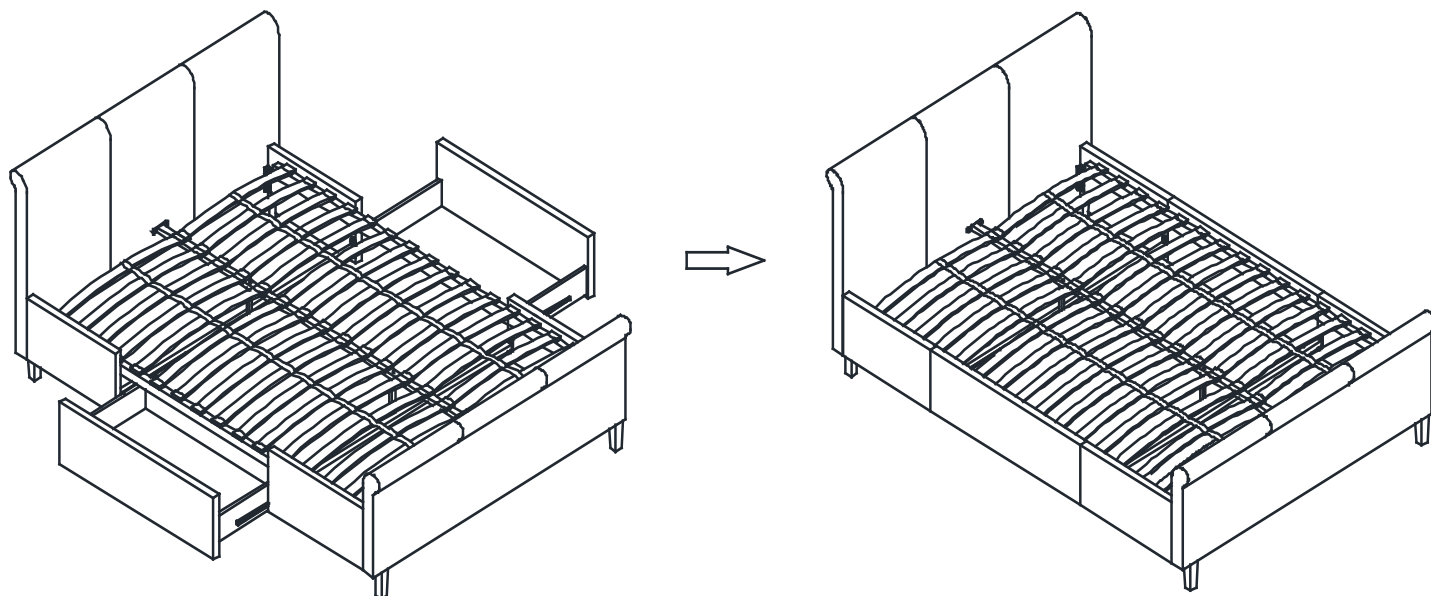
3. Insert Caps (I) completed with Sprung Slats (8) into corresponding holes on Side Rail (3).

4. Insert the other end of Slats (8) into Cap (J) and lock into centre rail (5)

5. Repeat the step 1-4 accordingly until the end.



YOUR BED IS NOW READY FOR USE

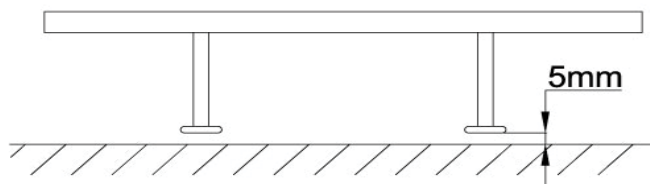


IMPORTANT

Once the feet have been assembled and attached, they should be adjusted to ensure they do not touch the floor, (5mm above the floor) to allow for movement once the mattress is placed on the bed frame.

It is important to note that when moving the bed that it is not dragged into its new position to prevent the possibility of these feet being twisted or angled to one side, which could lead to the collapse of the centre of the bed.

To move the bed, remove the mattress and lift the bed into its new position to avoid damage. Ensure the feet are at 90° to the floor before replacing the mattress.



Next Retail Ltd, Desford Road, Leicester, LE19 4AT