

next

WESTCOTT 4 DRAWER BED

127530

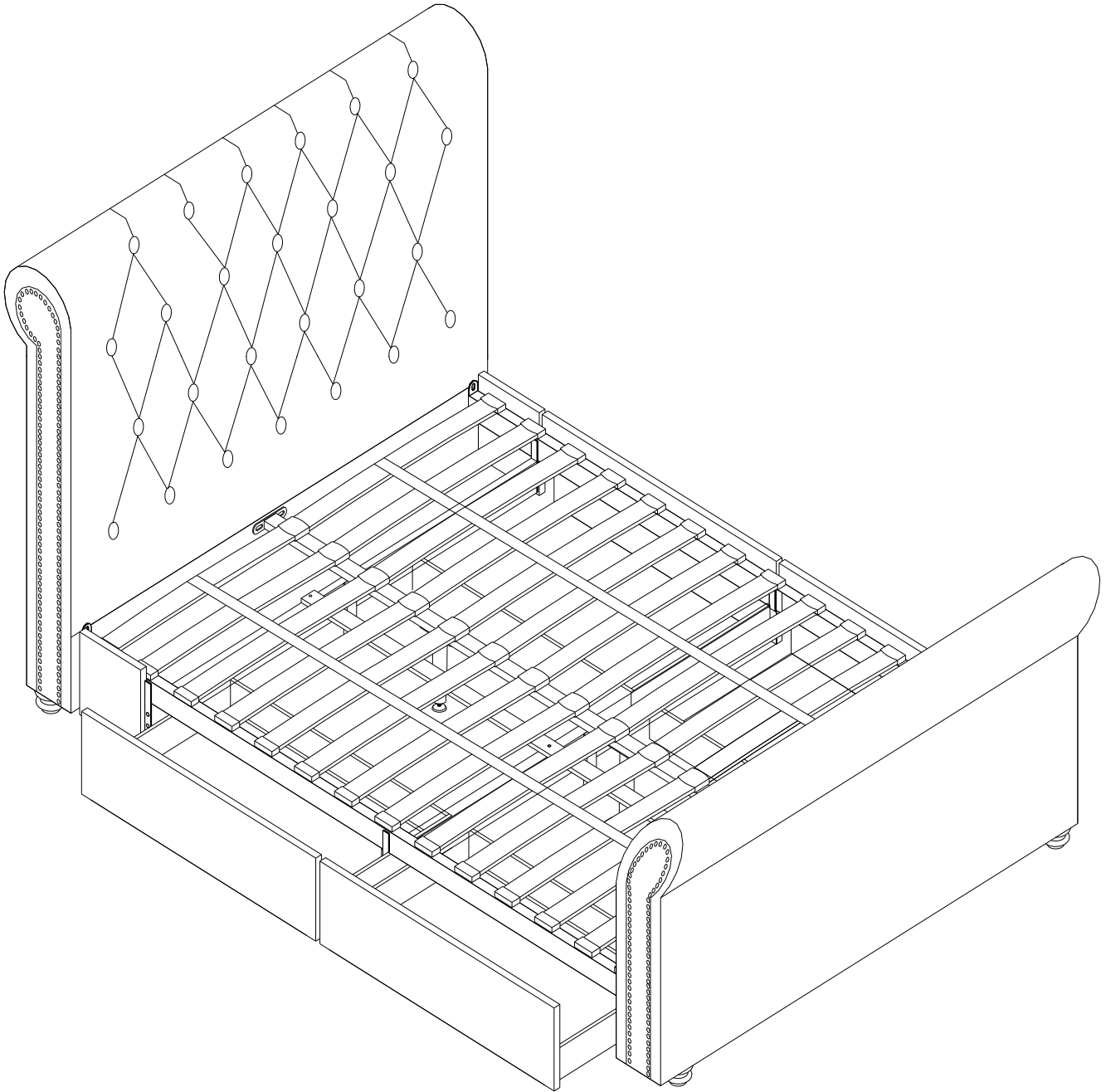
Assembly instructions

Actual product size

H115 x W147 x D235cm (Double)

H115 x W162 x D245cm (King)

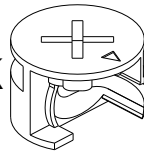
H115 x W192 x D245cm (Super King)



IMPORTANT - RETAIN FOR FUTURE REFERENCE

SPECIAL TIPS FOR FITTING CAM-LOCKS AND CAM-PILLARS

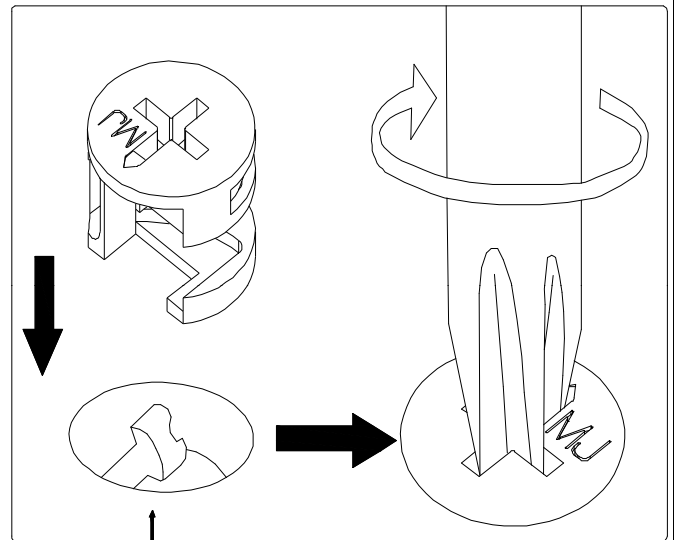
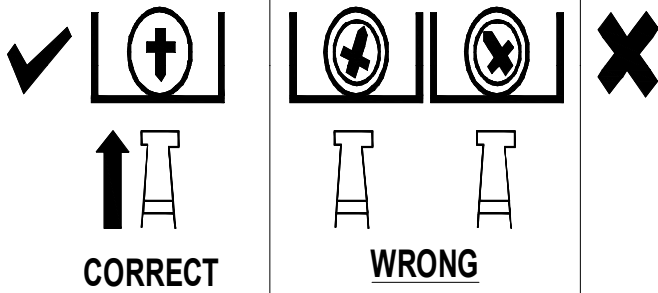
CAM-LOCK



Align with long point of cross

WHEN FITTING CAMS

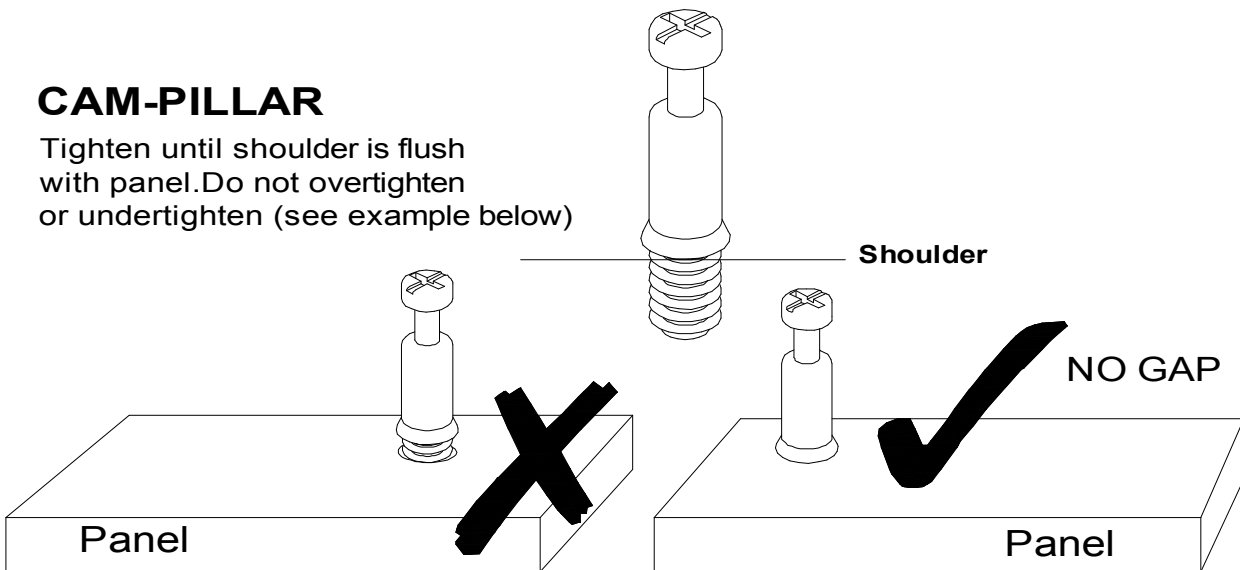
ENSURE STARTING POSITION CORRECT BEFORE YOU INSERT CONNECTING CAM-PILLAR
TURN CLOCKWISE UNTIL SECURE



Pillar head needs to be in centre

CAM-PILLAR

Tighten until shoulder is flush with panel. Do not overtighten or undertighten (see example below)



BEFORE YOU START

Warnings

Important: Retain these instructions for future reference.

Unwrap all packaging materials and place the components on top of the carton box or on a clean floor to prevent it from scratching.

This product should only be used on firm, level ground.

Keep small parts out of reach of children.

Do's

We suggest you spend a short time reading through this leaflet before you start.

When you are ready to start, make sure that you have the right tools, plenty of space and a clean, dry area for assembly.

Check the pack and make sure you have all the parts listed.

During assembly children should be kept away from the product due to possible risk of injury.

Tools not included.

Due to the size of this product we recommend that it is assembled in the room intended for use.

Ensure that this product is fully assembled as illustrated before use.

Check all screws or bolts are tightened and inspect regularly.

To clean, wipe with a sponge and warm soapy water. Do not use solvent based cleaners or detergents as they can bleach or damage the product.

Don'ts

Do not use power tools to construct this product.

Do not tighten screws until fully assembled.

Do not overtighten screws or bolts.

Do not stand on the product.

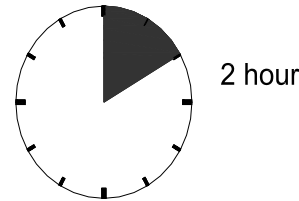
Do not use this product if parts are missing, damaged or worn.

Never use scourers, abrasives or chemical cleaners.

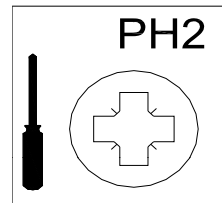
Number of people required to assemble

Two person are required to assemble this product.

Time to assemble



Tools required



not supplied

Missing parts

If you are missing any fixtures and fittings for your product please contact our customer service team on **0333 777 8999** and they will be happy to arrange for a replacement to be sent to you free of charge.

Home service technicians

If you have a fault with your product please contact our customer service team on **0333 777 8999**. If you have had the product for 28 days or less you may be offered a replacement, refund or for a fully trained home service technician to visit your home to assess the fault and repair the product where possible. If you have had the product for more than 28 days we will send an independent home service technician to review and repair the product where possible and recommend further action.

You can write to us at

Home Customer Services
Next Retail Ltd,
Desfore Road,
Leicester,
LE19 4AT,

To view our full furniture range please visit www.next.co.uk

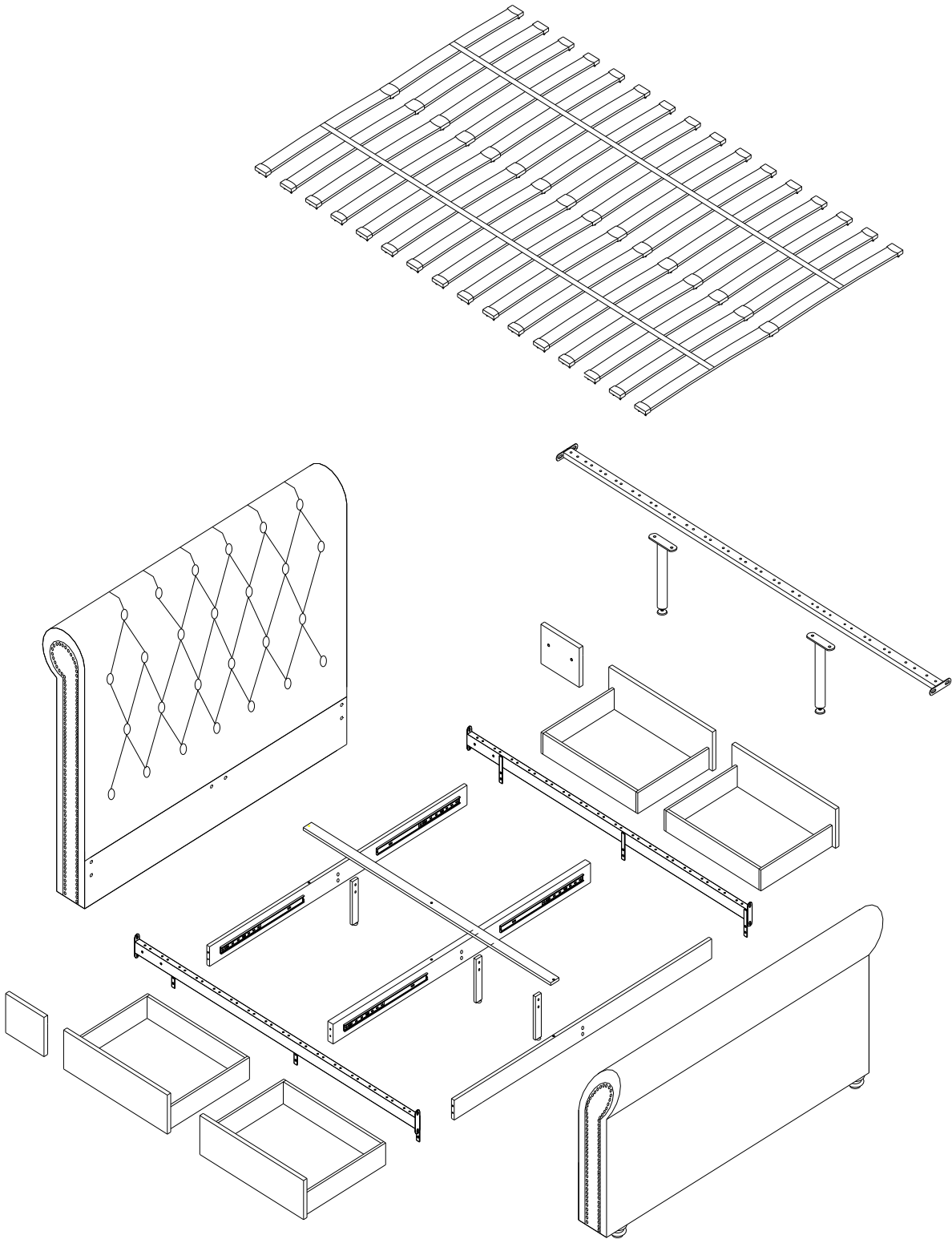
next

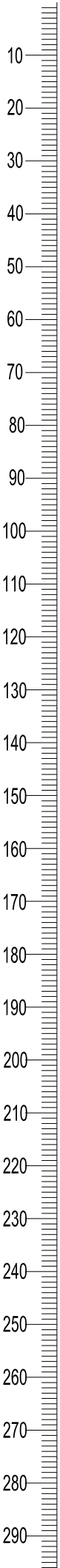
WESTCOTT 4 DRAWER BED

127530

Assembly instructions

GETTING TO KNOW YOUR PRODUCT





CUSTOMER HELPLINE

If you have any problem with this product or require any replacement fittings please contact customer services **0333 777 8999**

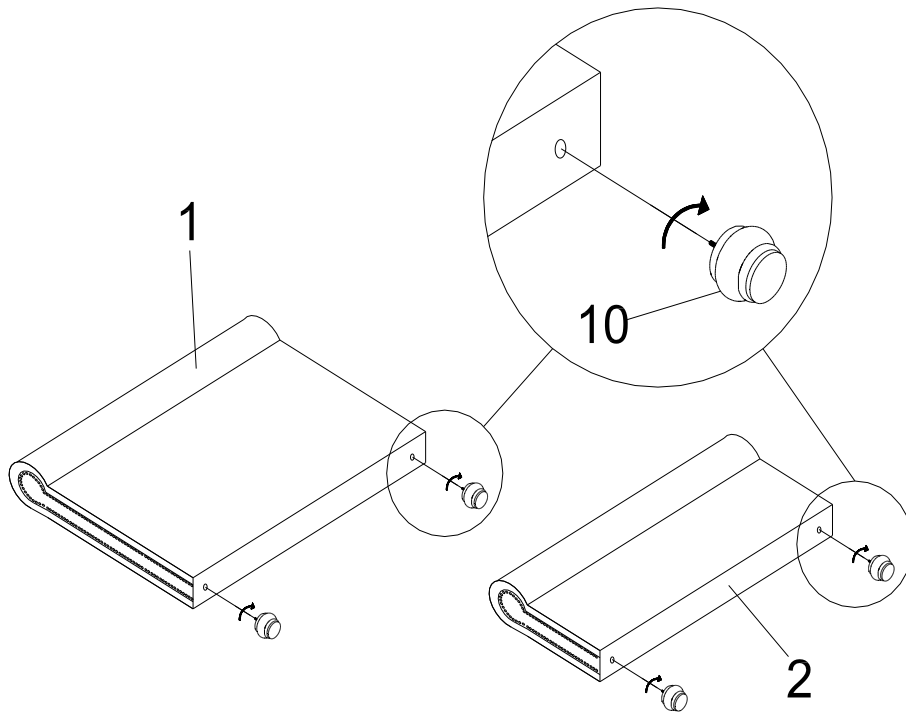
Components supplied

Ref	Dimensions	Visual	Qty
1	Head board		1
2	Footboard		1
3	Side rail panel		2
4	Right side rail		1
5	Left side rail		1
6	Drawer support middle rail		1
7	Drawer support rail		2
8	Drawer cross bar		1
9	Wood support leg		3
10	Leg		4
11	Drawer front panel		4
12	Drawer side panel		8
13	Drawer back panel		4
14	Drawer bottom		4
15	Drawer strength rail		4
16	Centre rail		1
17	Support leg		2
18	Slats		32

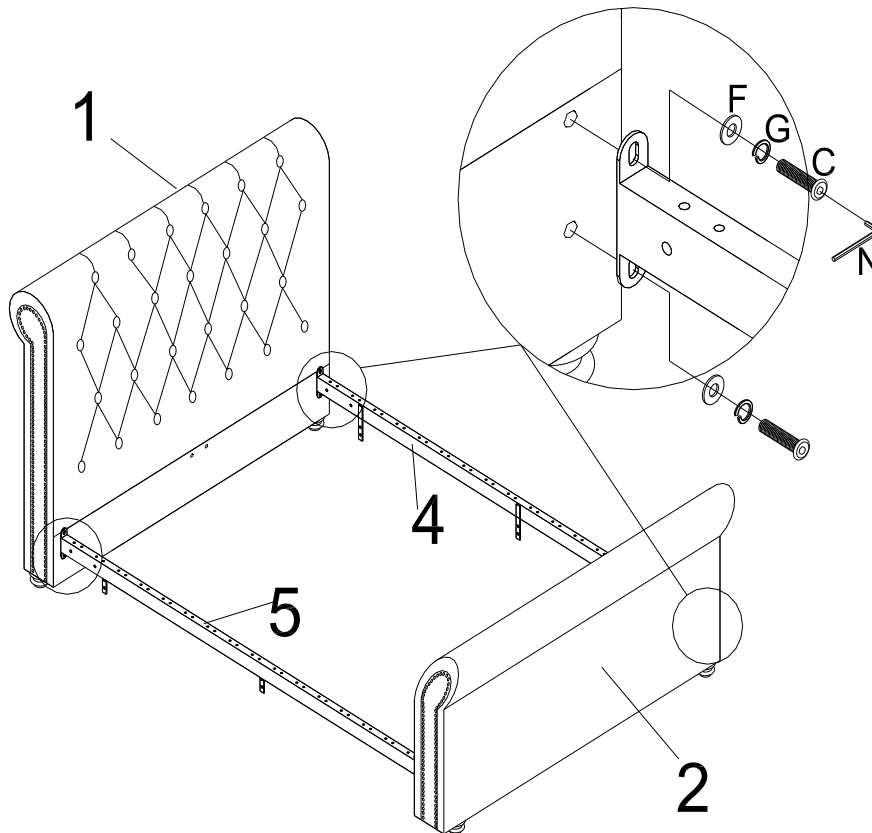
Fixtures and fittings supplied

Ref	Dimensions	Visual	Qty
A	M6x50		4
B	M6x35		9
C	M6x25		24
D	M8x35		4
E	M8		4
F	M6		37
G	M6		37
H	M8		8
I	4*29mm		32
J	15*12mm		32
K	Ø8*30mm		32
L	65*60mm		16
M	65*30mm		32
N	M6		1
O	M8		1

1



2



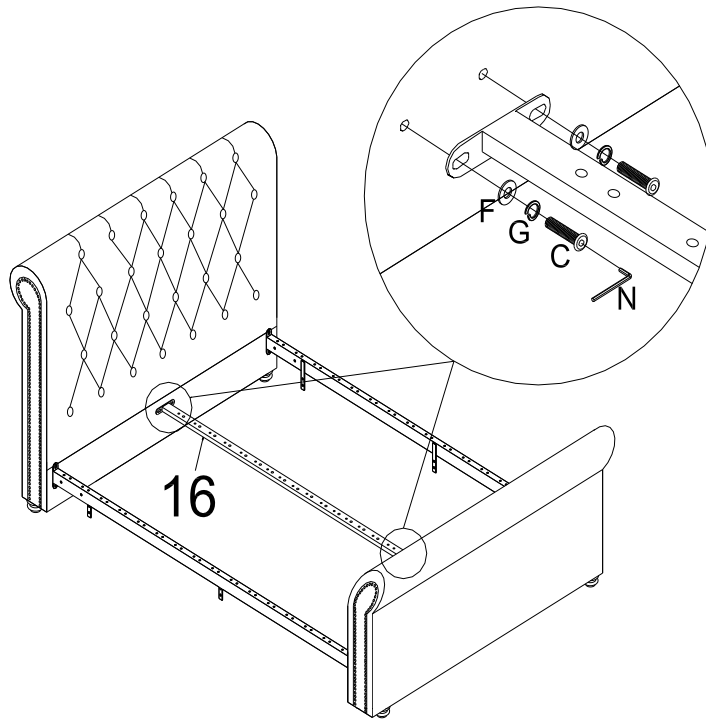
C x8 M6 x 25mm

F x8 M6

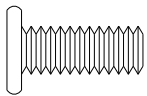
G x8 M6

N x1 M8

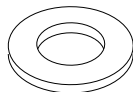
3



C x4 M6 x 25mm



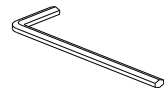
F x4 M6



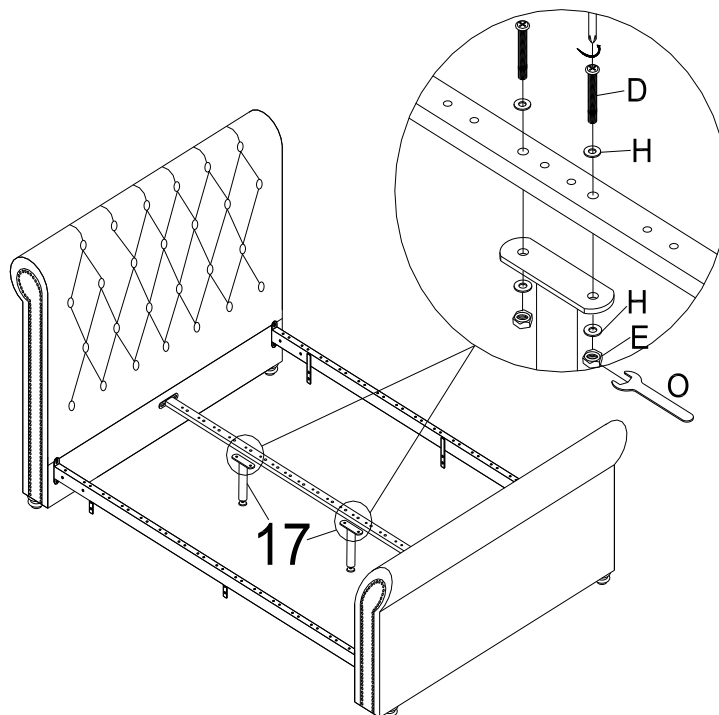
G x4 M6



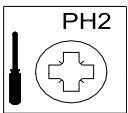
N x1 M8



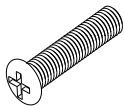
4



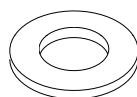
D x4 16 x 35mm



not supplied



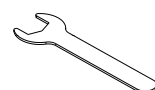
Hx8 M8



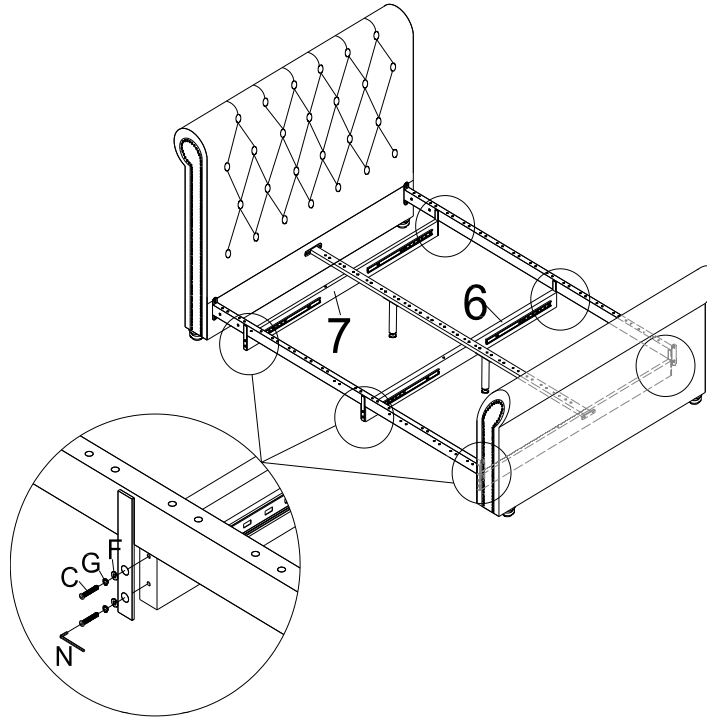
E x4 M8



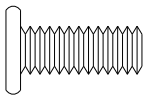
O x1 M8



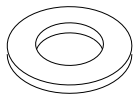
5



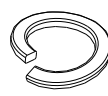
C x12 M6 x 25mm



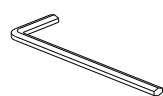
F x12 M6



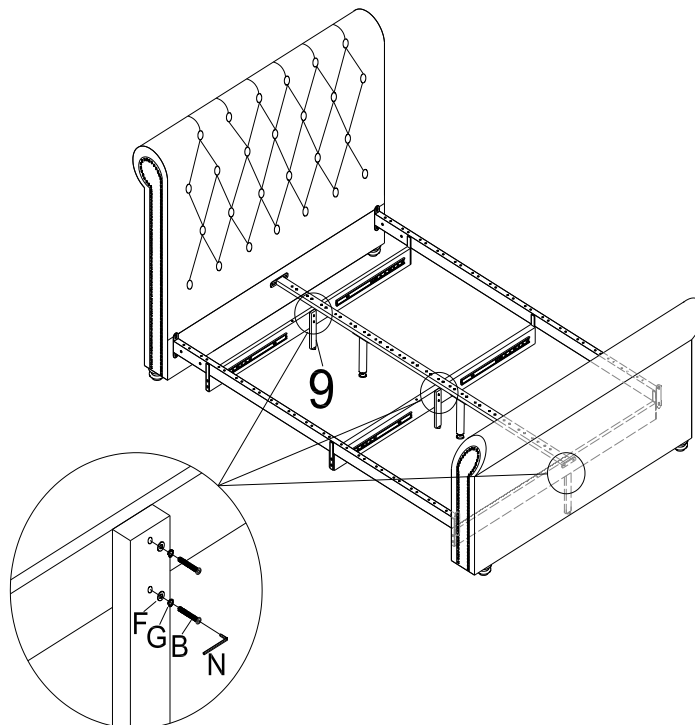
G x12 M6



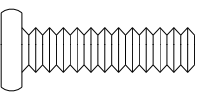
N x1 M6



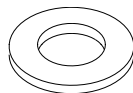
6



B x6 M6 x 35mm



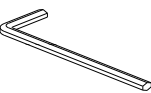
F x6 M6



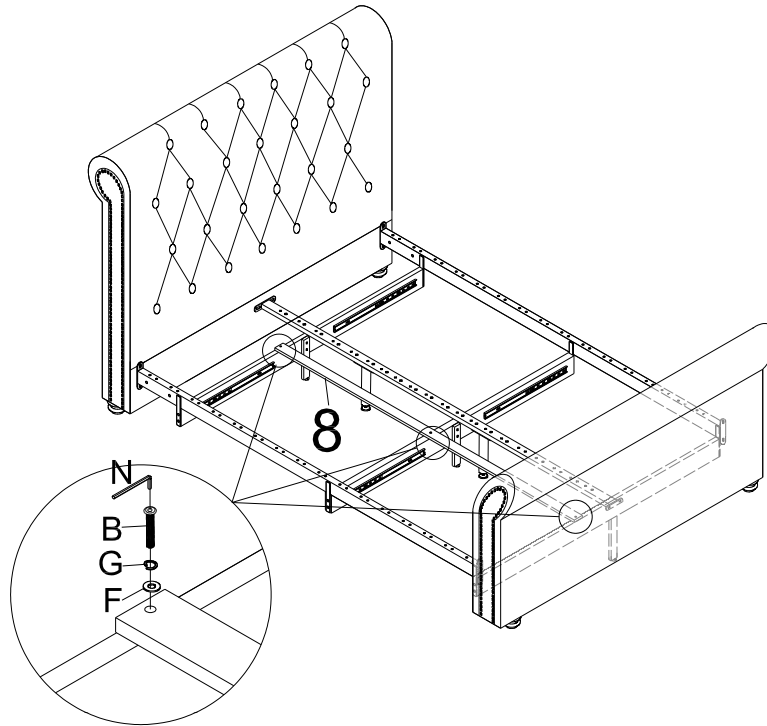
G x6 M6



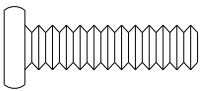
N x1 M6



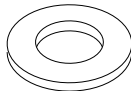
7



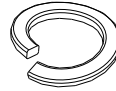
B x3 M6 x 35mm



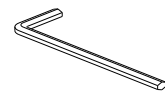
F x3 M6



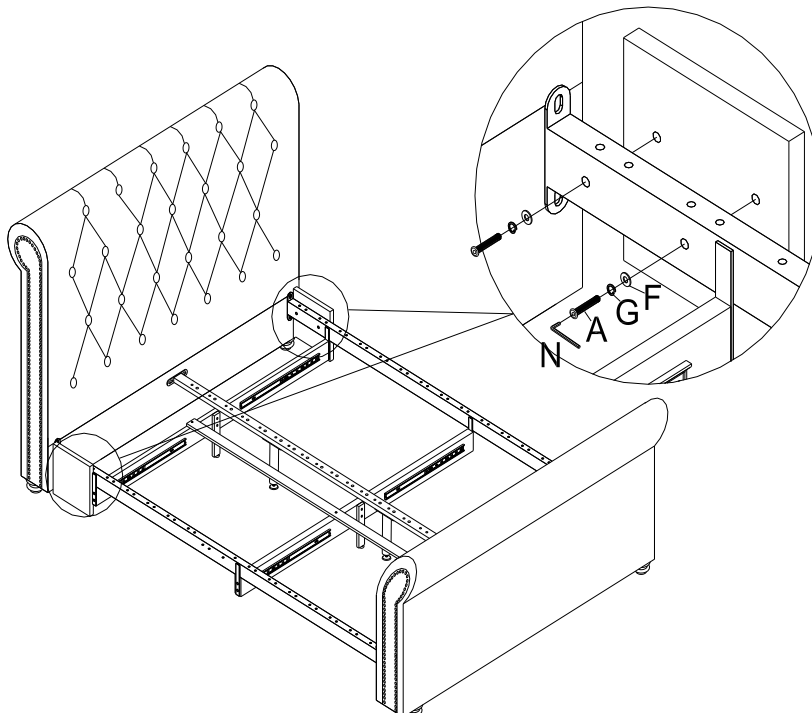
G x3 M6



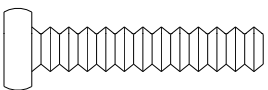
N x1 M6



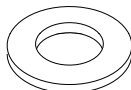
8



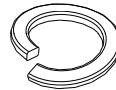
A x4 M6 x 50mm



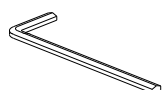
F x4 M6



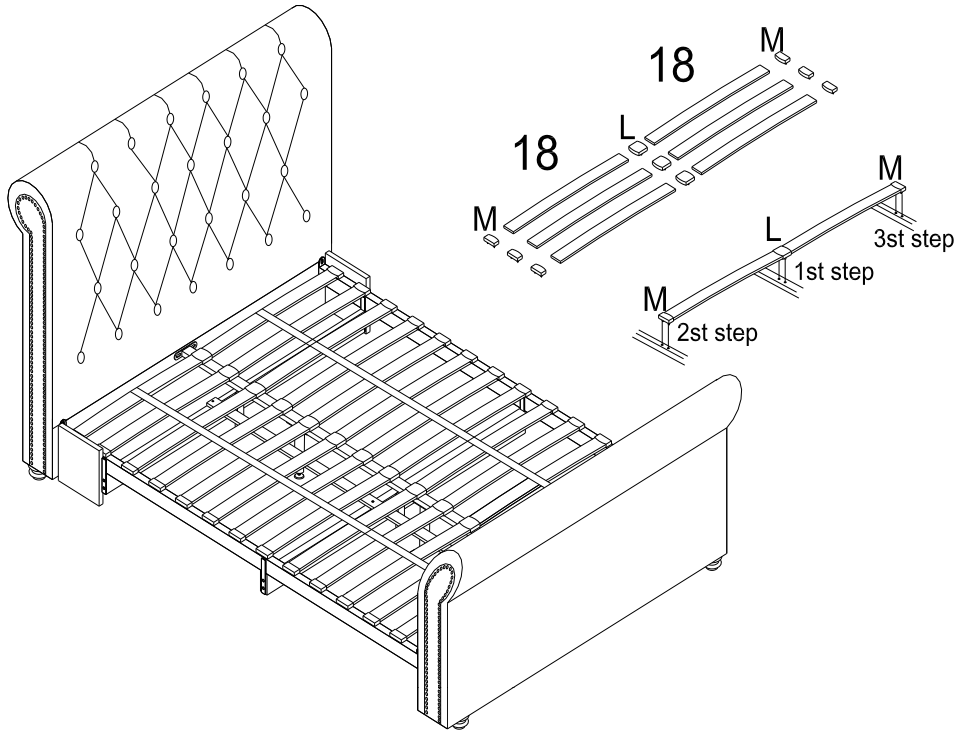
G x4 M6



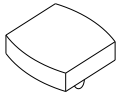
N x1 M6



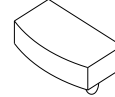
9



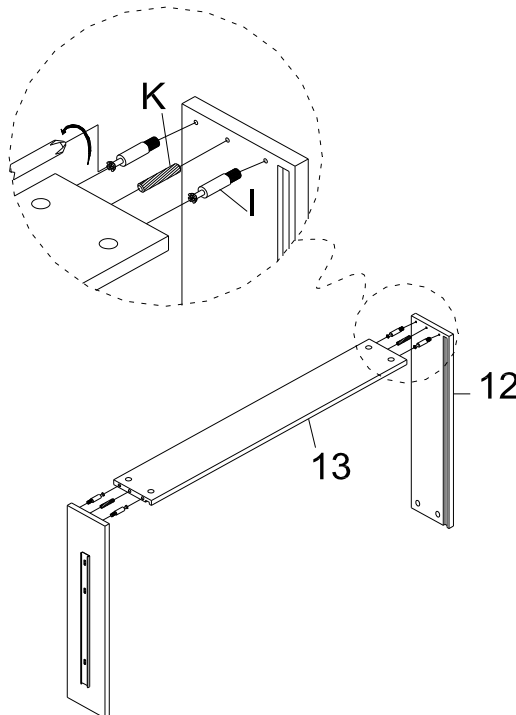
L x16 65 x 30mm



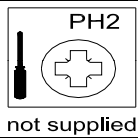
Mx32 65 x 60mm



10

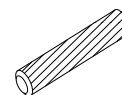


I x16 4 x 29mm

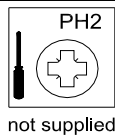
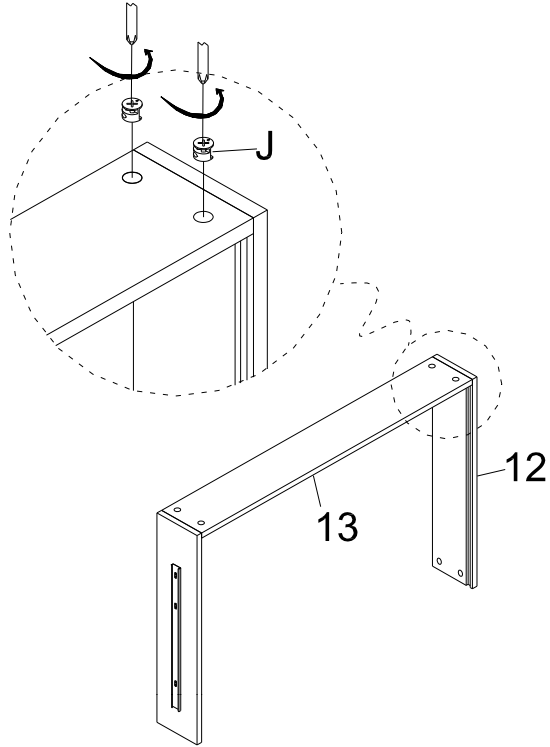


not supplied

K x8 $\Phi 8 \times 30\text{mm}$

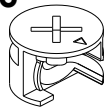


11



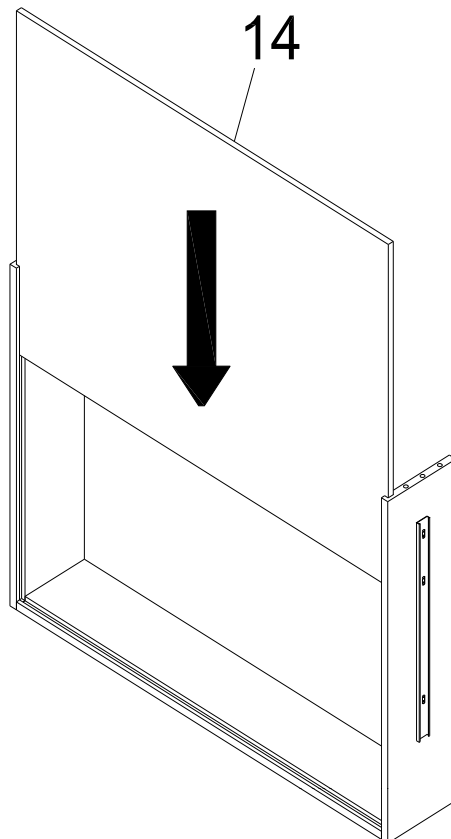
PH2
not supplied

J x16

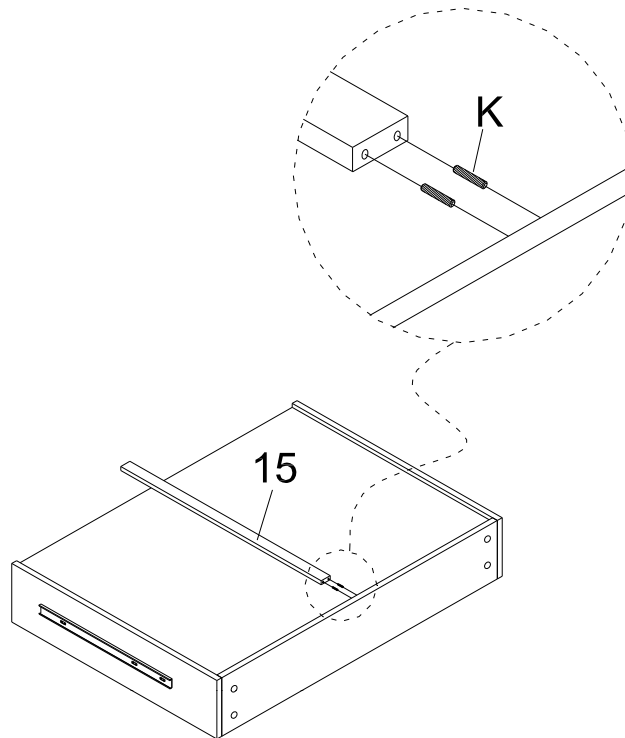


15x12mm

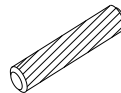
12



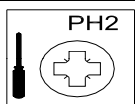
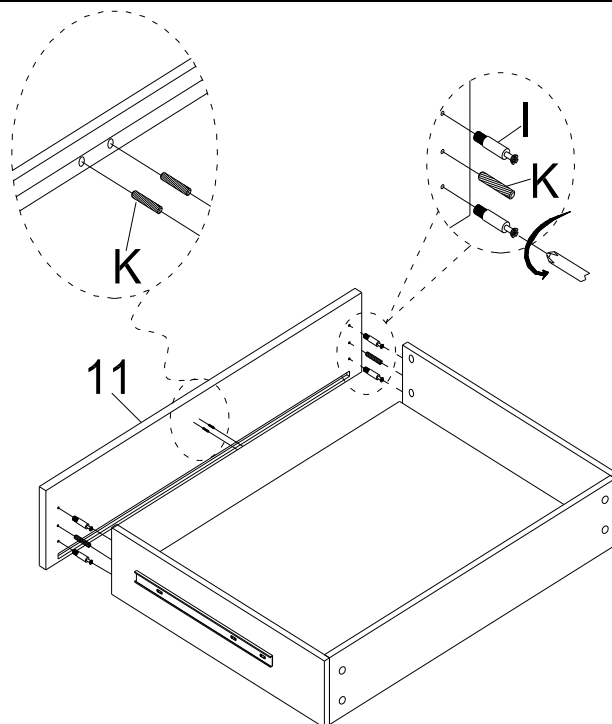
13



K x8 $\Phi 8 \times 30 \text{mm}$

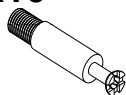


14

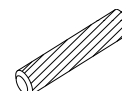


not supplied

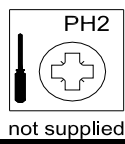
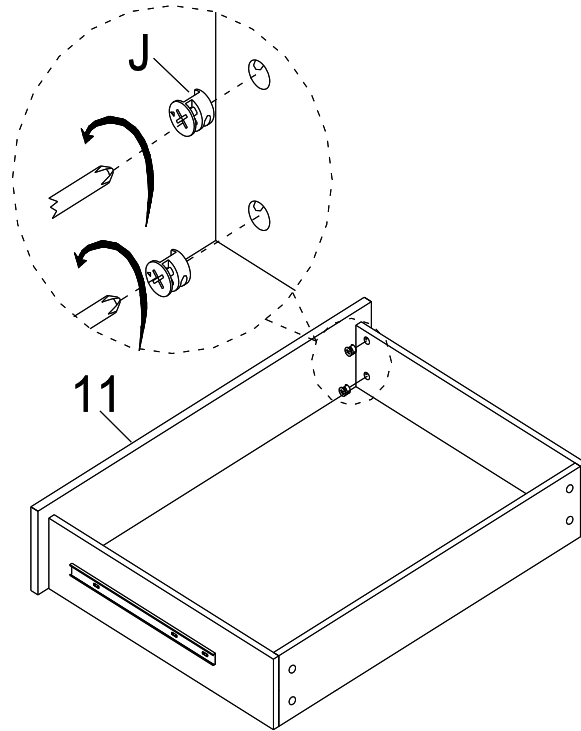
I x16 4 x 29mm



K x16 $\Phi 8 \times 30 \text{mm}$



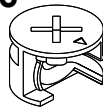
15



not supplied

J x16

15x12mm



16

