

next

ELISE FLIP BED



Assembly instructions

Actual product size

H122.5 x W162.5 x D206cm (Double)

H122.5 x W177.5x D216cm (King)

H122.5 x W207.5 x D216cm (Super King)

Item , Color & Fabric content

829481- French Grey -60% Cotton, 40% Viscose

466283 - Light Natural -60% Cotton.40% Viscose

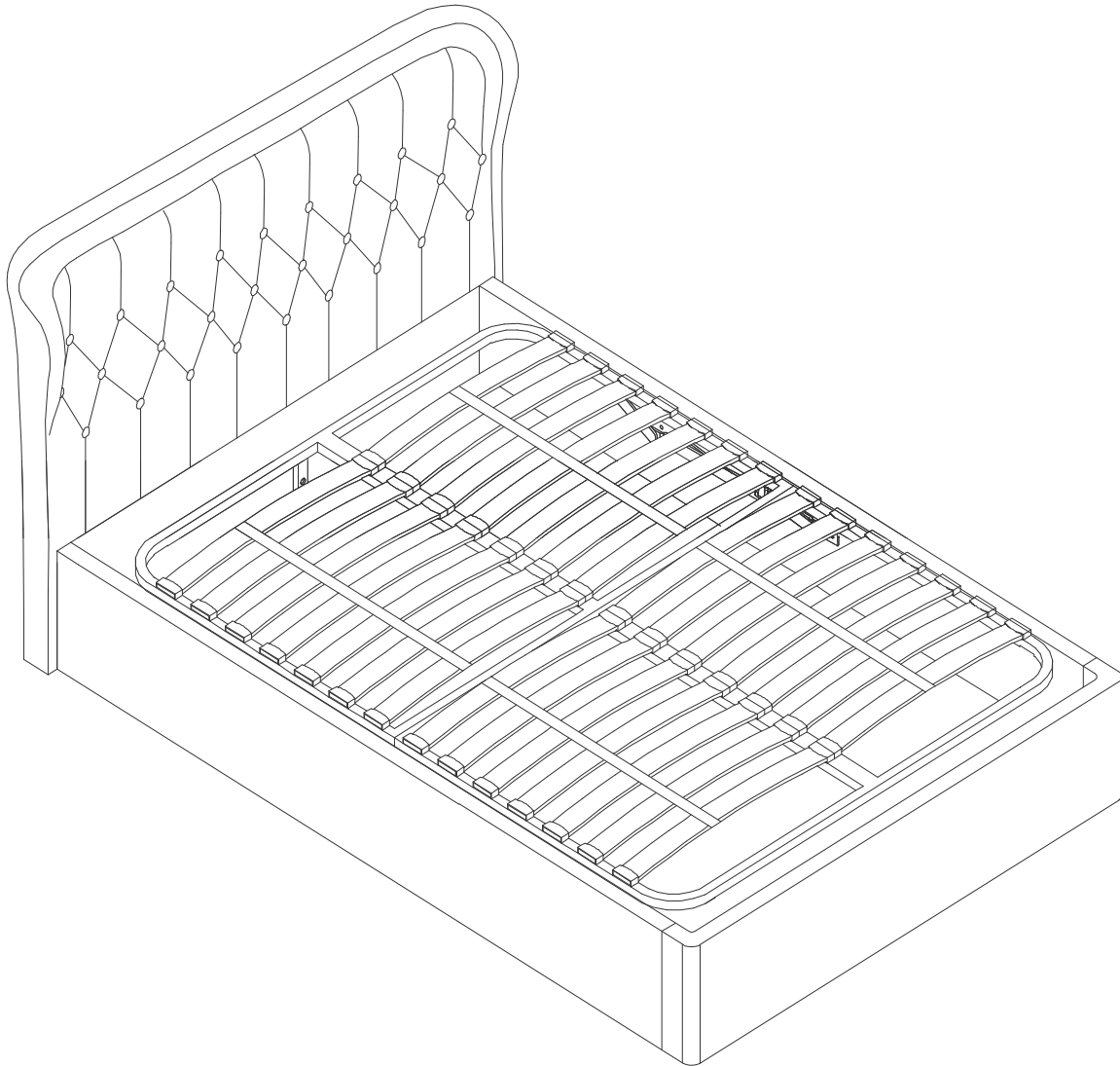
139366- Charcoal- 100% Polyester .

422024- Suvel Stone -50% Polyester , 50% Cotton

382608 - Glitz Silver -100% Polyester .

406536- Glitz Pewter - 100% Polyester .

741137- Soft Texture- 70% Rayon,22% Polyester ,7% Linen.



Need Help?

With: Assembly Instructions

Missing or damaged parts

CALL: 0333 777 8999

IMPORTANT - RETAIN FOR FUTURE REFERENCE

BEFORE YOU START

Warnings

Important: Retain these instructions for future reference.

Unwrap all packaging materials and place the components on top of the carton box or on a clean floor to prevent it from scratching.

This product should only be used on firm, level ground.

Keep small parts out of reach of children.

Do's

We suggest you spend a short time reading through this leaflet before you start.

When you are ready to start, make sure that you have the right tools, plenty of space and a clean, dry area for assembly.

Check the pack and make sure you have all the parts listed.

During assembly children should be kept away from the product due to possible risk of injury.

Tools not included.

Due to the size of this product we recommend that it is assembled in the room intended for use.

Ensure that this product is fully assembled as illustrated before use.

Check all screws or bolts are tightened and inspect regularly.

To clean, wipe with a sponge and warm soapy water. Do not use solvent based cleaners or detergents as they can bleach or damage the product.

Don'ts

Do not use power tools to construct this product.

Do not tighten screws until fully assembled.

Do not over tighten screws or bolts.

Do not stand on the product.

Do not use this product if parts are missing, damaged or worn.

Never use scourers, abrasives or chemical cleaners.

Never drag pieces of furniture across the floor as this will cause damage to the joints.

Number of people required to assemble

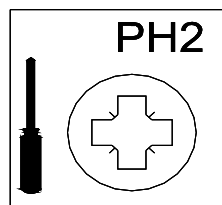
Two persons are required to assemble this product.

Time to assemble

30 minutes



Tools required



not supplied

Missing parts

If you are missing any fixtures and fittings for your product please contact our customer service team on **0333 777 8999** and they will be happy to arrange for a replacement to be sent to you free of charge.

Home service technicians

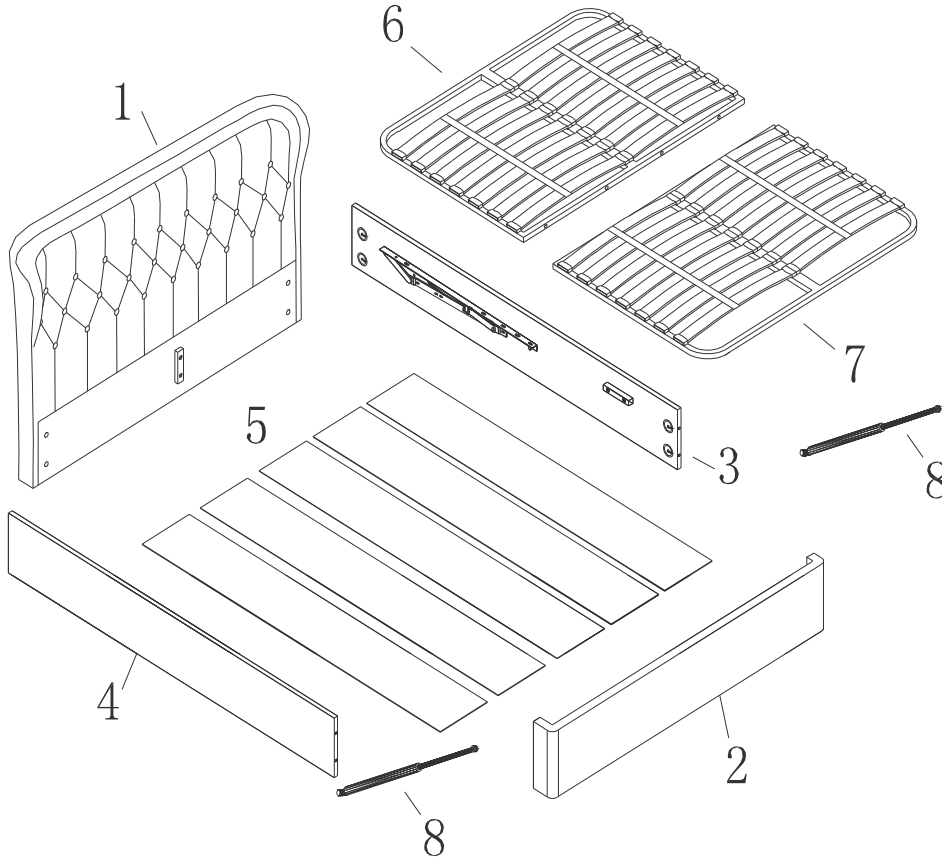
If you have a fault with your product please contact our customer service team on **0333 777 8999**. If you have had the product for 28 days or less you may be offered a replacement, refund or for a fully trained home service technician to visit your home to assess the fault and repair the product where possible. If you have had the product for more than 28 days we will send an independent home service technician to review and repair the product where possible and recommend further action.

You can write to us at





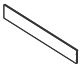


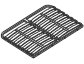

Next Retail Ltd,
Desford Road,
Leicester,
LE19 4AT,

To view our full furniture range please visit www.next.co.uk

GETTING TO KNOW YOUR PRODUCT




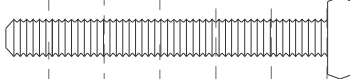


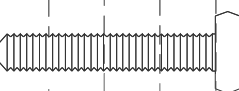
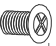
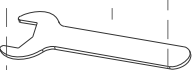





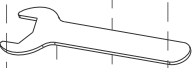
Components supplied. Please use this guide if you require replacement parts.

Ref	Dimensions	Visual	Qty	Ctn	Ref	Dimensions	Visual	Qty	Ctn
1	Headboard		1	1	8	Flip rod		2	2
2	Footboard		1	1					
3	Right side rail		1	2					
4	Left side rail		1	2					
5	Bottom panel	 Double King	5	2					
	Bottom panel	 Super King	6	2					
6	Bedstead		1	3					
7	Bedstead		1	3					

next

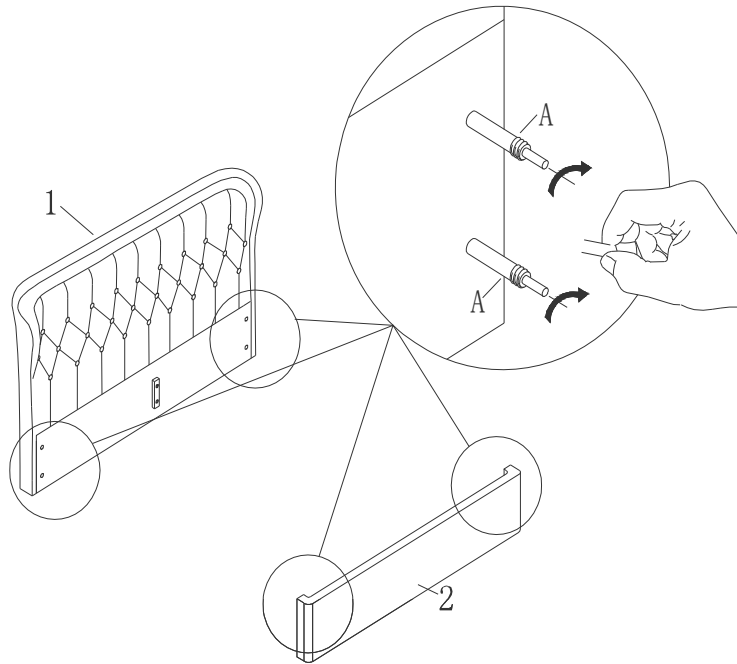
Assembly instructions

Fixtures and fittings supplied

Ref	Dimensions	Qty	
A	M8x87	8	
B	M6x60	4	
C	M8	1	
D	M6	8	
E	M8x40	8	
F	M6x10	4	
G	M8	1	
H	M8	8	
I	M6	4	
J	M8	16	
K	M4	1	
L	M6	1	
M	M6	1	

10 20 30 40 50 60 70 80 90

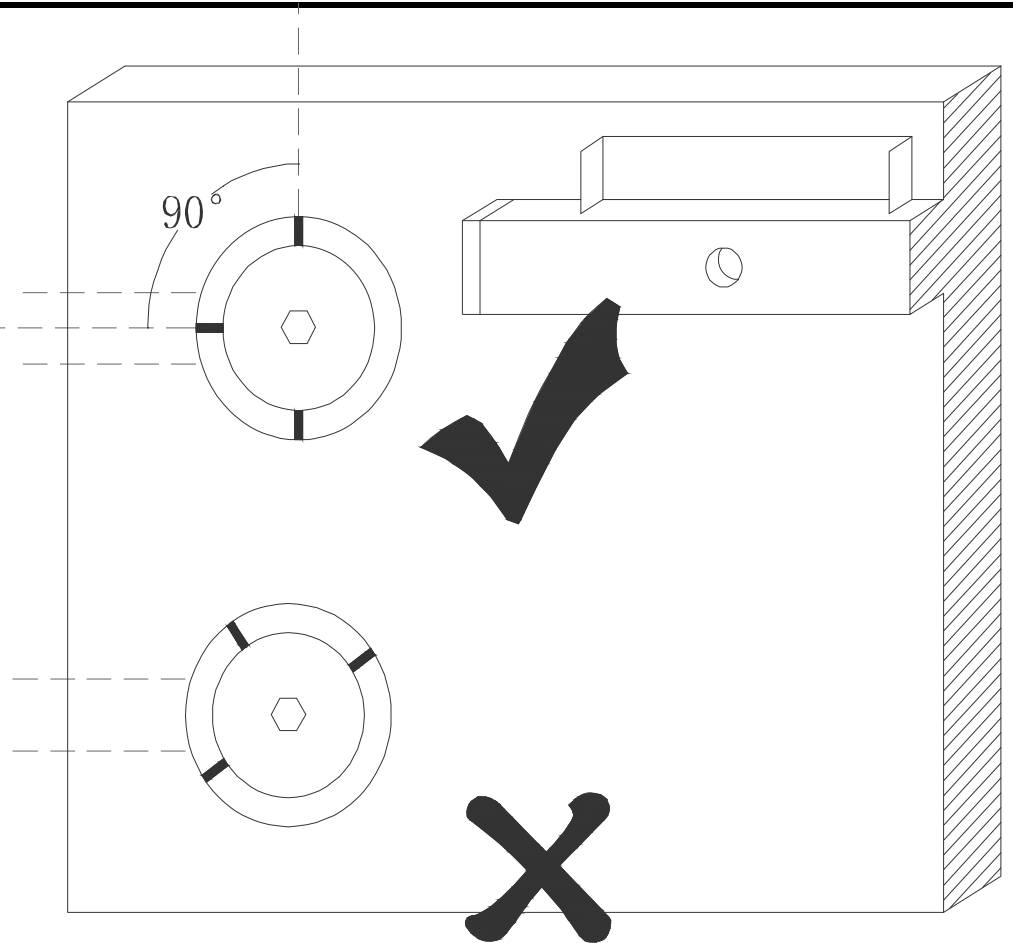
1

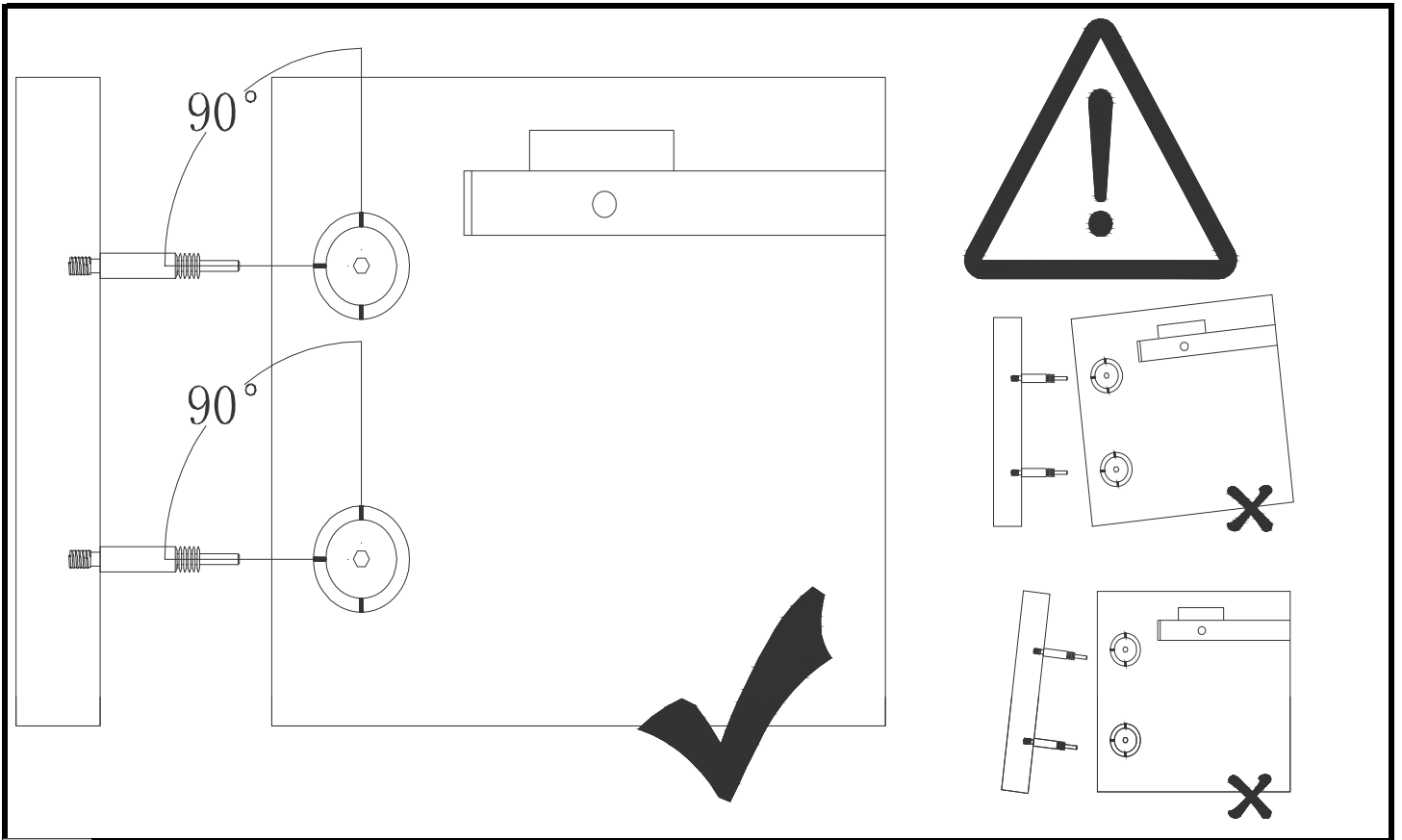


Ax8 M8 x 87mm

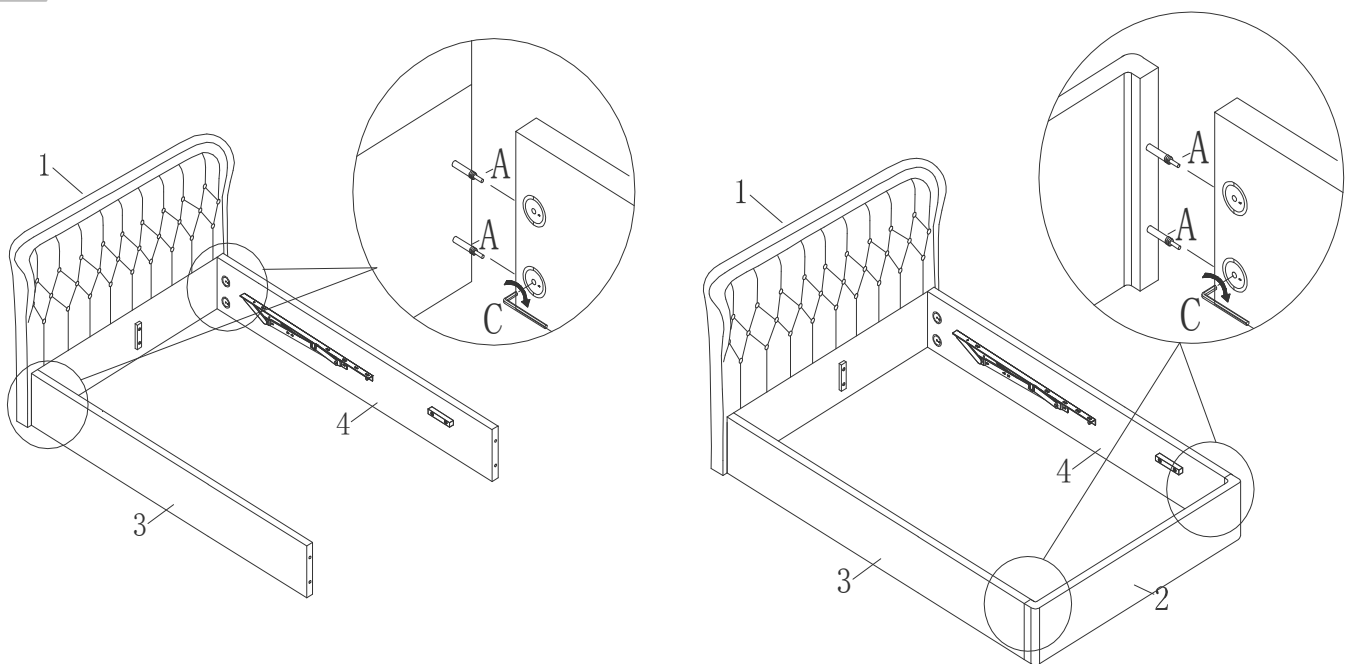


2



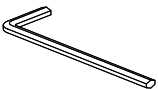


3

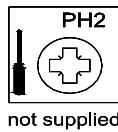
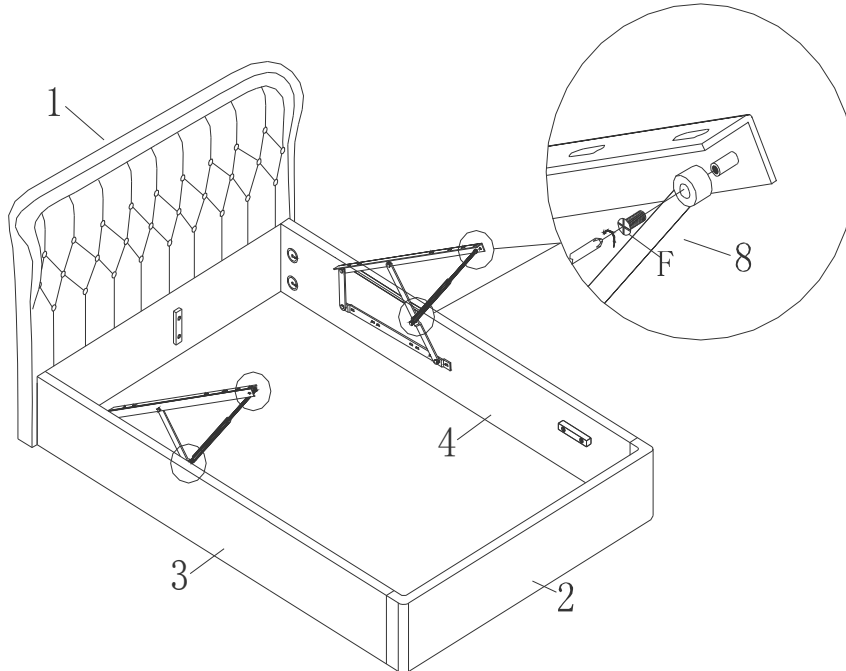


Cx1

M 8



4

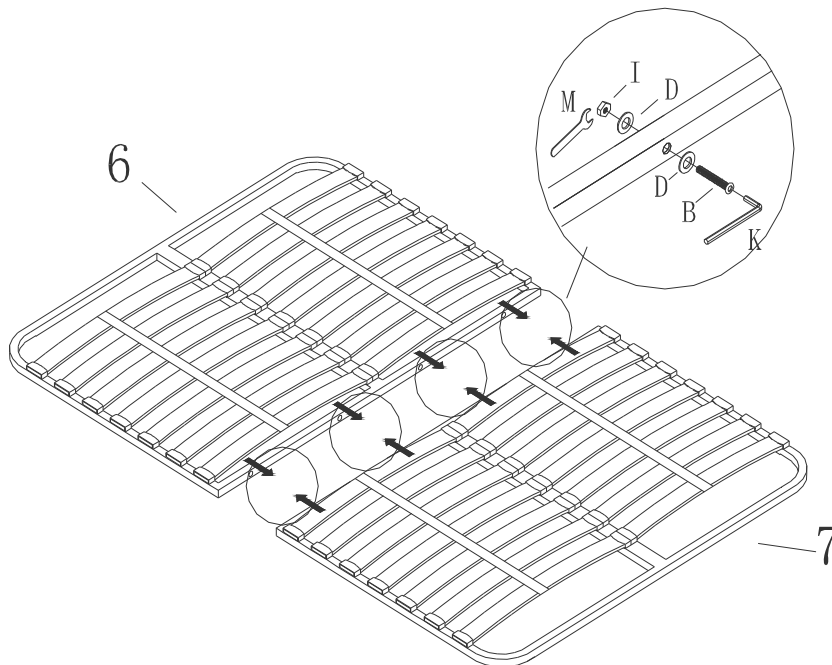


F x4

M6 x 10mm

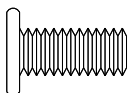


5



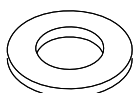
Bx4

M6x60 mm



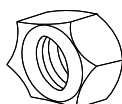
D x8

M6



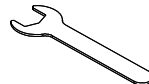
Ix4

M6



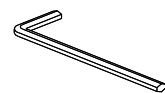
M x1

M6

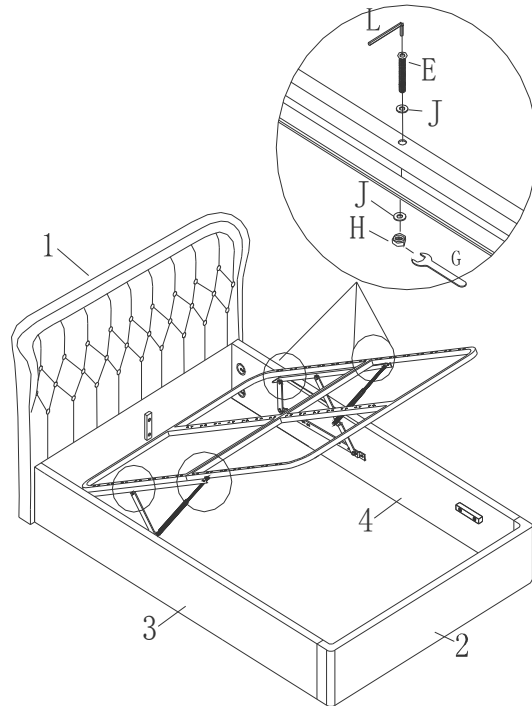


K x1

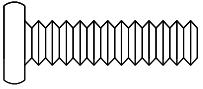
M4



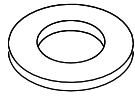
6



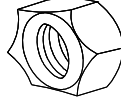
E x8 M8 x 40mm



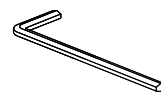
J x16 M8



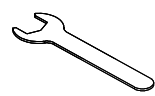
H x8 M8



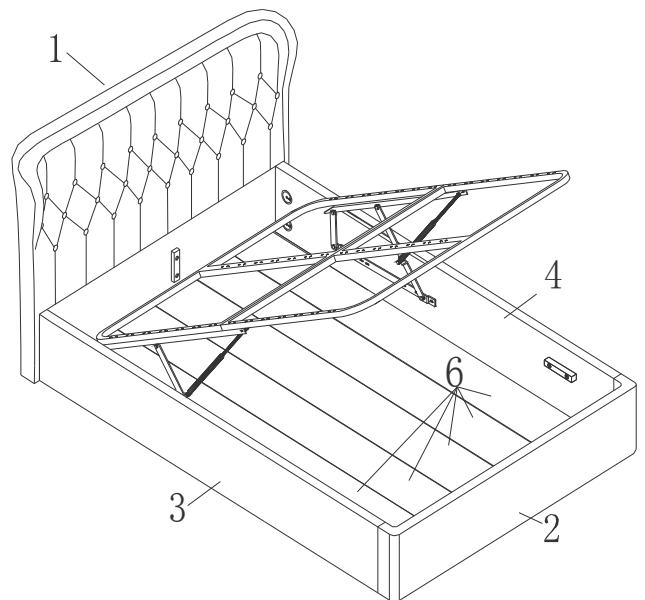
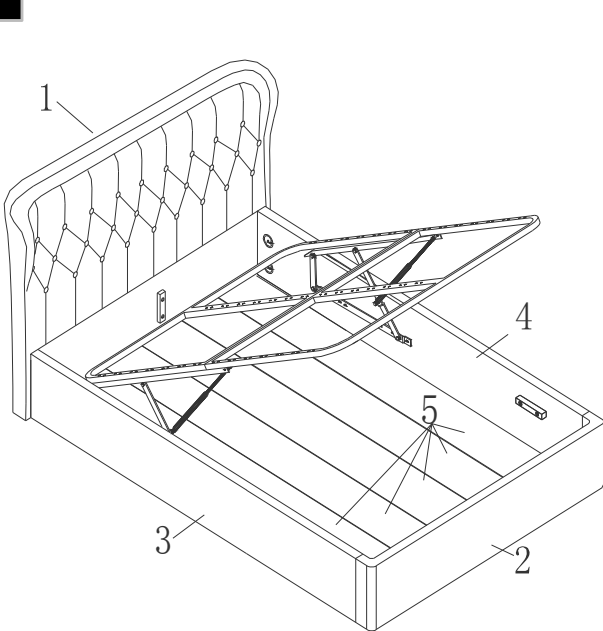
L x1 M6



G x1 M8



7



next ELISE FLIP BED

Assembly instructions



Actual product size

H122.5 x W162.5 x D206cm (Double)

H122.5 x W177.5x D216cm (King)

H122.5 x W207.5 x D216cm (Super King)

Mattress size

W135 x L190cm (Double)

W150 x L200cm (King)

W180 x L200cm (Super King)

