

**next**

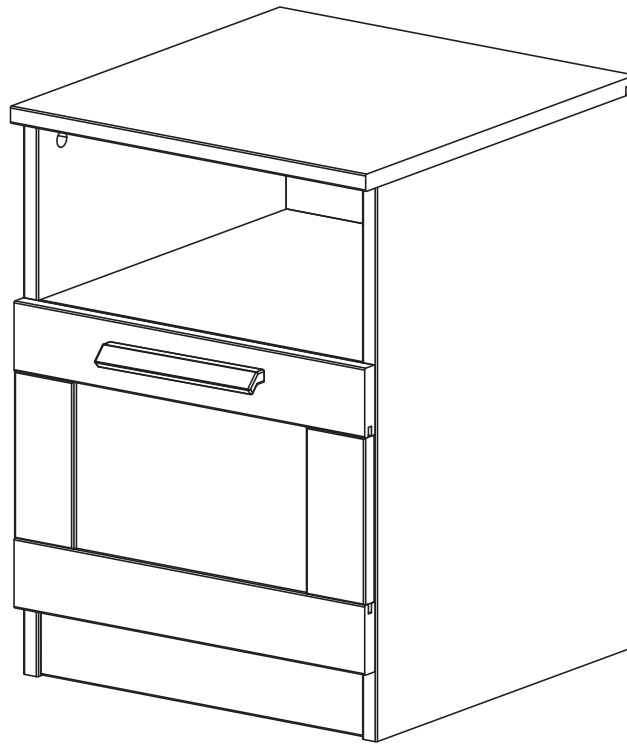
# FLYNN BEDSIDE CHEST

350946 / 425338

Assembly instructions

**Actual product size**

H53.5 x W39.4 x D39.2cm



**Need Help?**

With: Assembly instructions  
Missing or damaged parts

**CALL: 0333 777 8999**

**IMPORTANT— RETAIN FOR FUTURE REFERENCE**

## BEFORE YOU START

**\*\*IMPORTANT\*\*** : Assembly to be carried out by a competent adult only - Do not use this item if any components are missing or damaged

### Warnings

We suggest you retain these instructions for future reference.

Keep fittings out of children's reach and keep children well away from the construction area.

This product should only be used on firm, level ground.

Please periodically check all fittings and re-tighten as necessary.

Please do not sit or stand on your furniture.

Avoid exposing the furniture to excessive heat or direct sunlight as this can cause deterioration of the colour.

Unwrap all packaging materials and place the components on top of the carton box or on a clean floor to protect it from damage.

### Do's

We suggest you spend a short time reading through this leaflet before you start.

When you are ready to start, make sure that you have the right tools and plenty of space.

Unwrap all packaging materials and place the components on a clean surface to protect it from damage.

We recommend that the packaging is used to protect the surfaces during assembly.

Carefully check that you have all the parts before beginning assembly

Due to the size of the product we recommend that it is assembled in the room intended for use.

Ensure the product is fully assembled as illustrated and all fixings are fully tightened before use.

Wipe occasionally with a soft cloth slightly dampened with water. Then buff with a dry clean soft cloth.

Wood will mellow and change colour over time, we recommend that ornaments and items placed on the surface are moved regularly for the first few months to prevent uneven mellowing.

### Don'ts

Do not drag or pull your furniture.

Do not use silicone based furniture polish. Silicone in furniture polishes can break down the finish.

Never allow any kind of liquid to remain on your furniture.

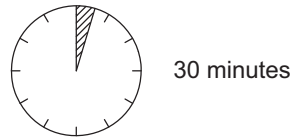
Absorption can cause wood to warp or finishes to de-laminate.

Do not place hot items (e.g. hot drinks) directly on to the wood surface. Please make sure you use a placement or coaster.

### Number of people required to assemble

One person is required to assemble this item.

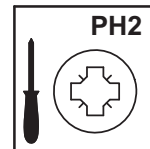
### Time to assemble



### Tools required



not supplied



not supplied

### Missing parts

If you are missing any fixtures and fittings for your product please contact our customer service team on 0333 777 8999 and they will be happy to arrange for a replacement to be sent to you free of charge.

### Home service technicians

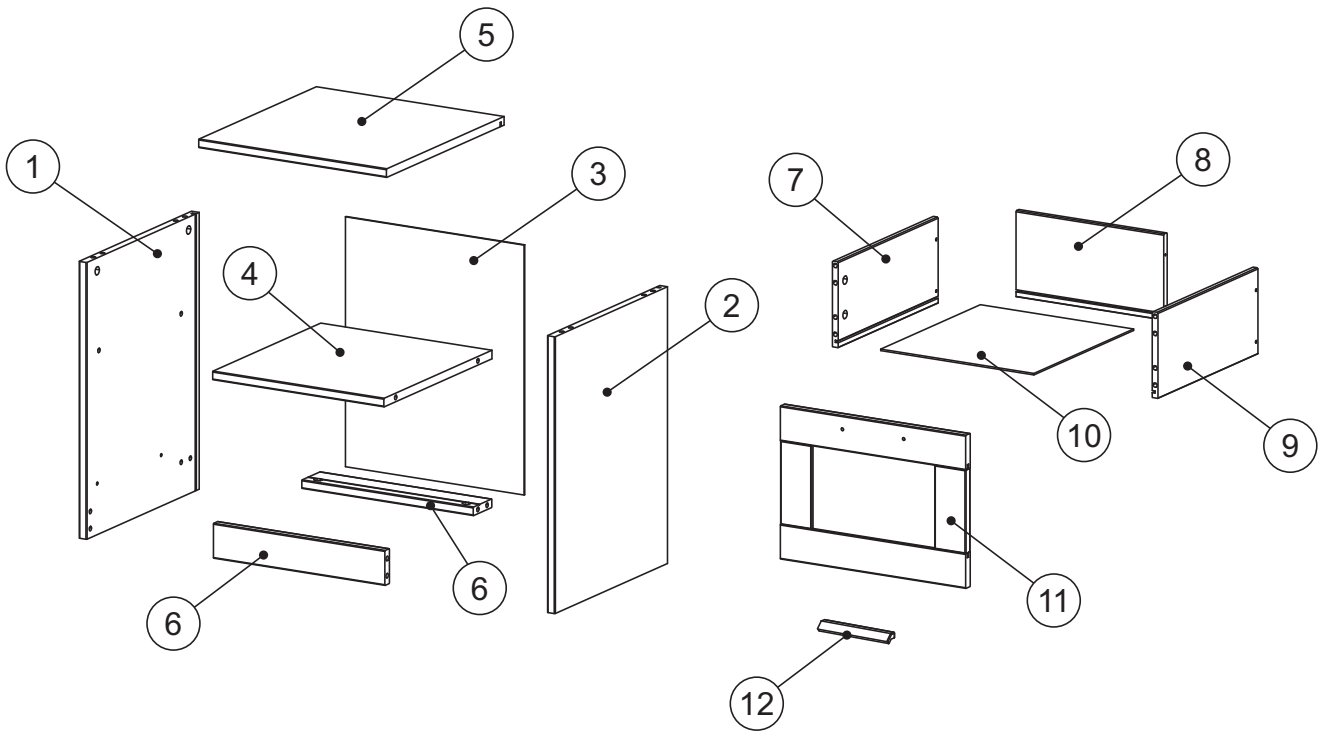
If you have a fault with your product please contact our customer service team on 0333 777 8999. If you have had the product for 28 days or less you may be offered a replacement, refund or for a fully trained home service technician to visit your home to assess the fault and repair the product where possible. If you have had the product for more than 28 days we will send an independant home service technician to review and repair the product where possible and recommend further action.

### You can write to us at

Home Customer Services  
Next Retail Ltd,  
Desford Road,  
Leicester,  
LE19 4AT

To View our full furniture range please visit [www.next.co.uk](http://www.next.co.uk)

GETTING TO KNOW YOUR PRODUCT



Components supplied. Please use this guide if you require replacement parts.

Ref	Dimensions	Visual	Qty	Ctn
1	51.5 x 37.4cm		1	1
2	51.5 x 37.4cm		1	1
3	46 x 37cm		1	1
4	35.8 x 35.7cm		1	1
5	39.4 x 39.2cm		1	1
6	35.8 x 6.5cm		2	1

Ref	Dimensions	Visual	Qty	Ctn
7	35 x 16cm		1	1
8	31 x 16cm		1	1
9	35 x 16cm		1	1
10	32 x 35cm		1	1
11	39 x 28cm		1	1
12	15 x 2.26cm		1	1

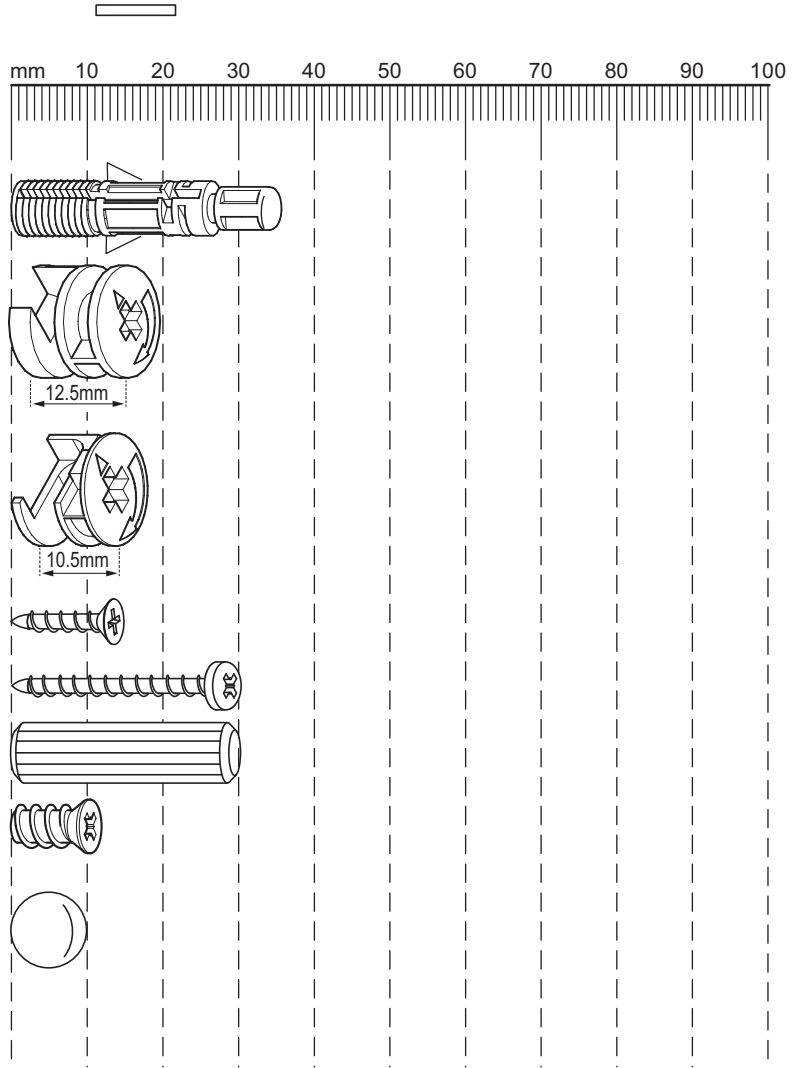
# FLYNN BEDSIDE CHEST

350946 / 425338

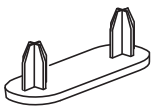

Assembly instructions

Fixtures and fittings supplied (actual size)

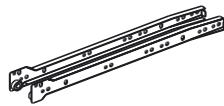
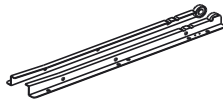
Ref	Dimensions	Quantity
A	8 x 36mm	12
B	15 x 12.5mm	8
C	15 x 10.5mm	4
D	3.5 x 15mm	6
E	4 x 30mm	6
F	8 x 30mm	16
G	6x 11mm	4
L	Ø10 x 1.5mm	2



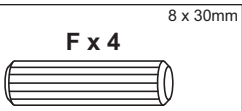
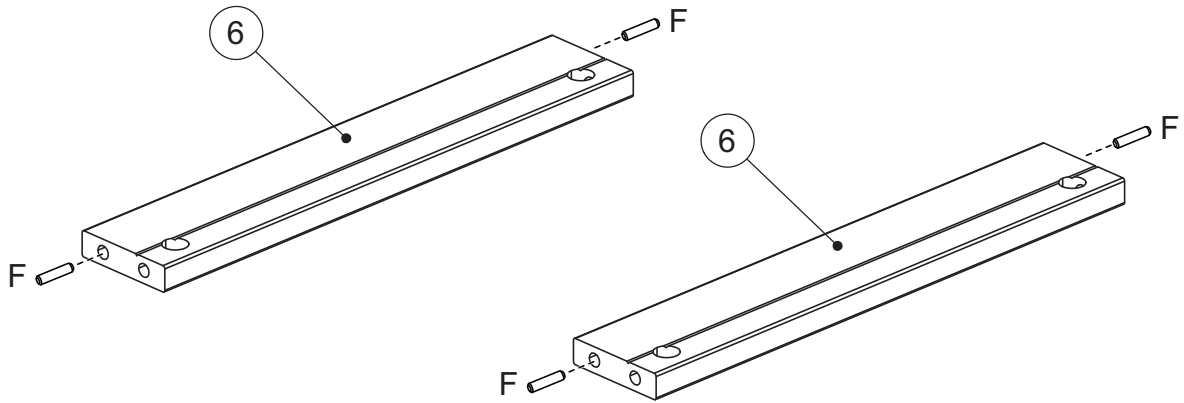
Fixtures and fittings supplied (not to scale)

Ref	Dimensions	Visual	Qty
N	N/A		4
O	N/A		3

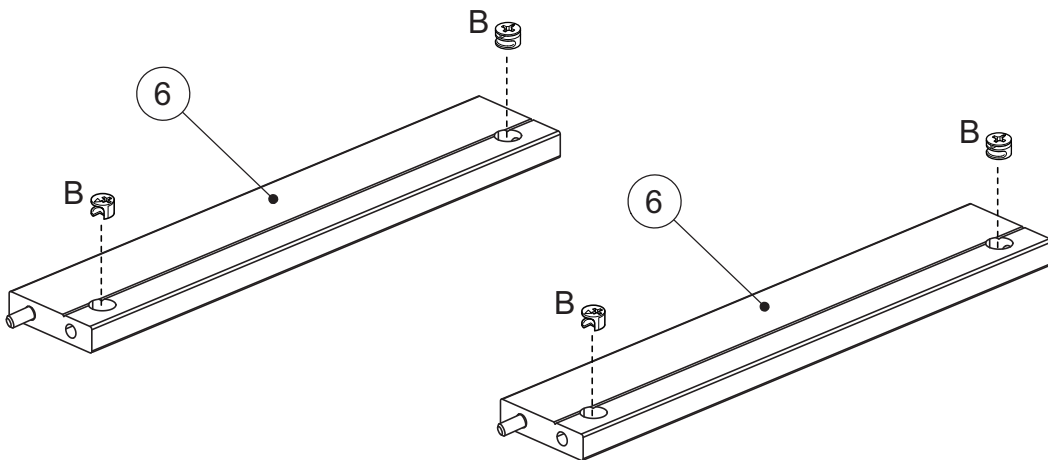
Fixtures and fittings supplied (not to scale)

Ref	Dimensions	Visual	Qty
P	N/A		1
Q	N/A		1

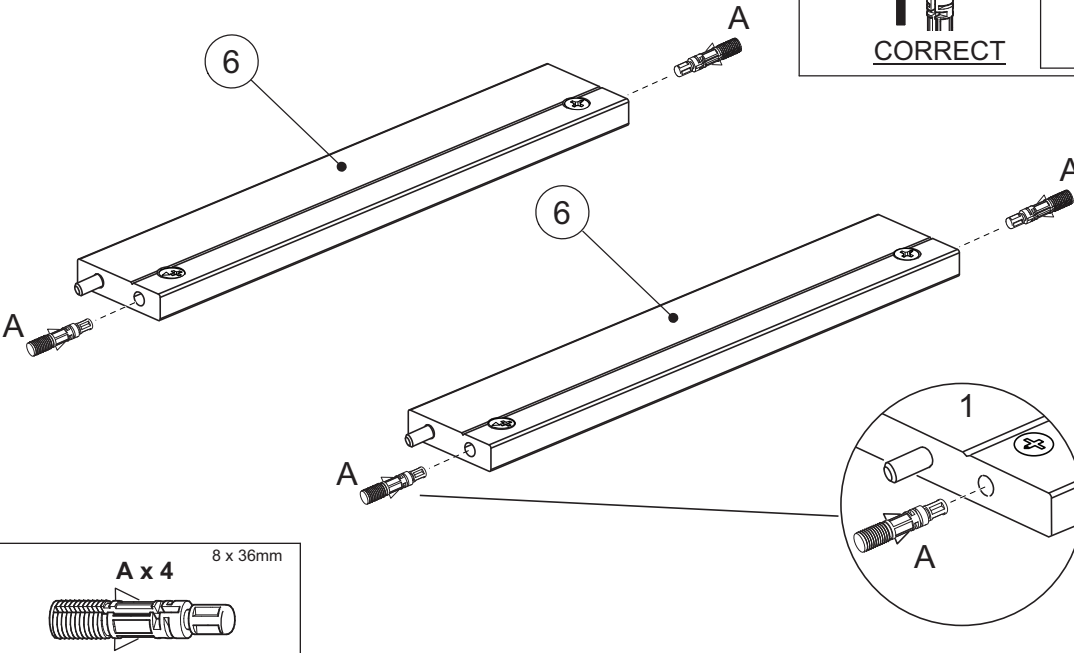
1



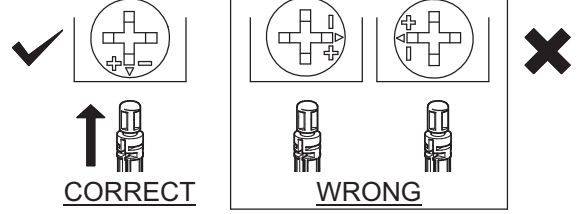
2



3



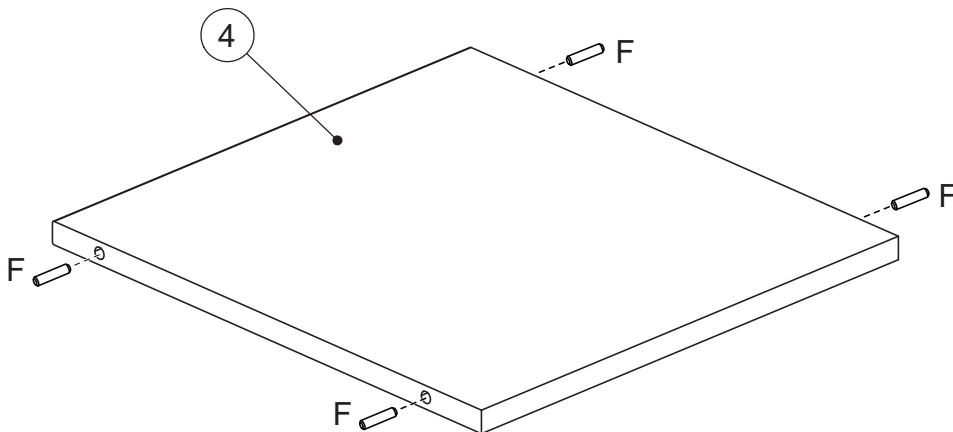
**WHEN FITTING CAMS**  
ENSURE STARTING POSITION IS CORRECT  
BEFORE YOU INSERT CONNECTING CAM-PILLAR



A x 4 8 x 36mm



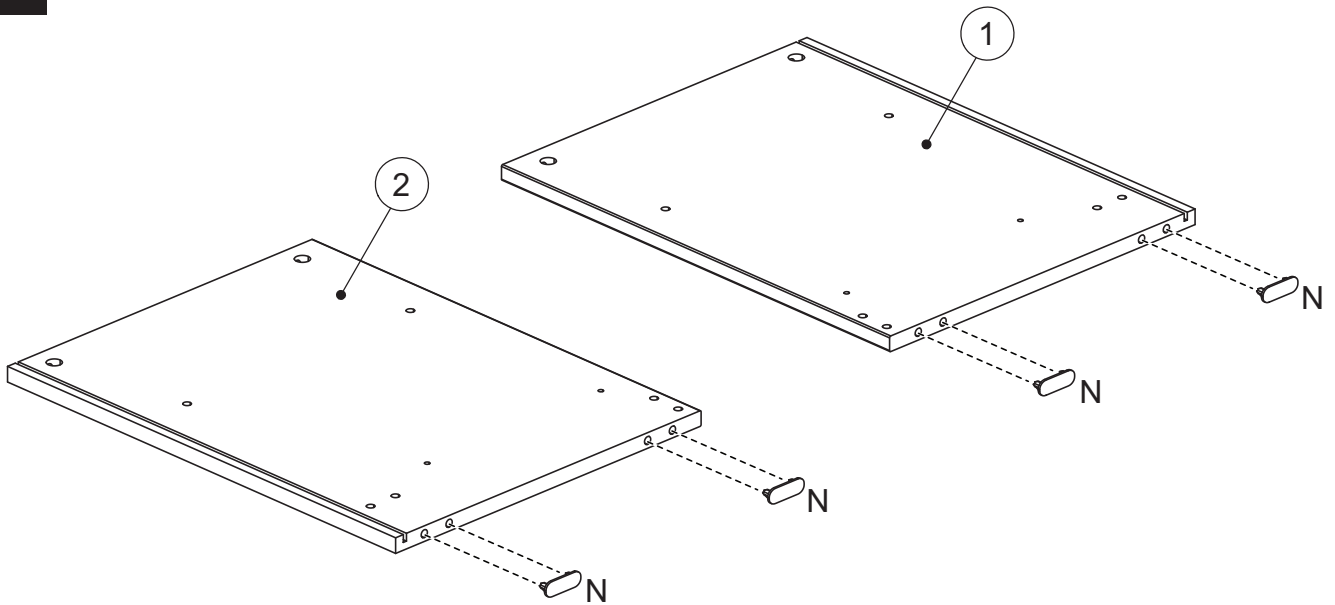
4



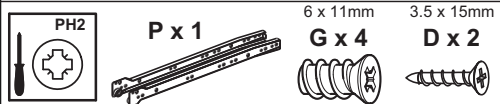
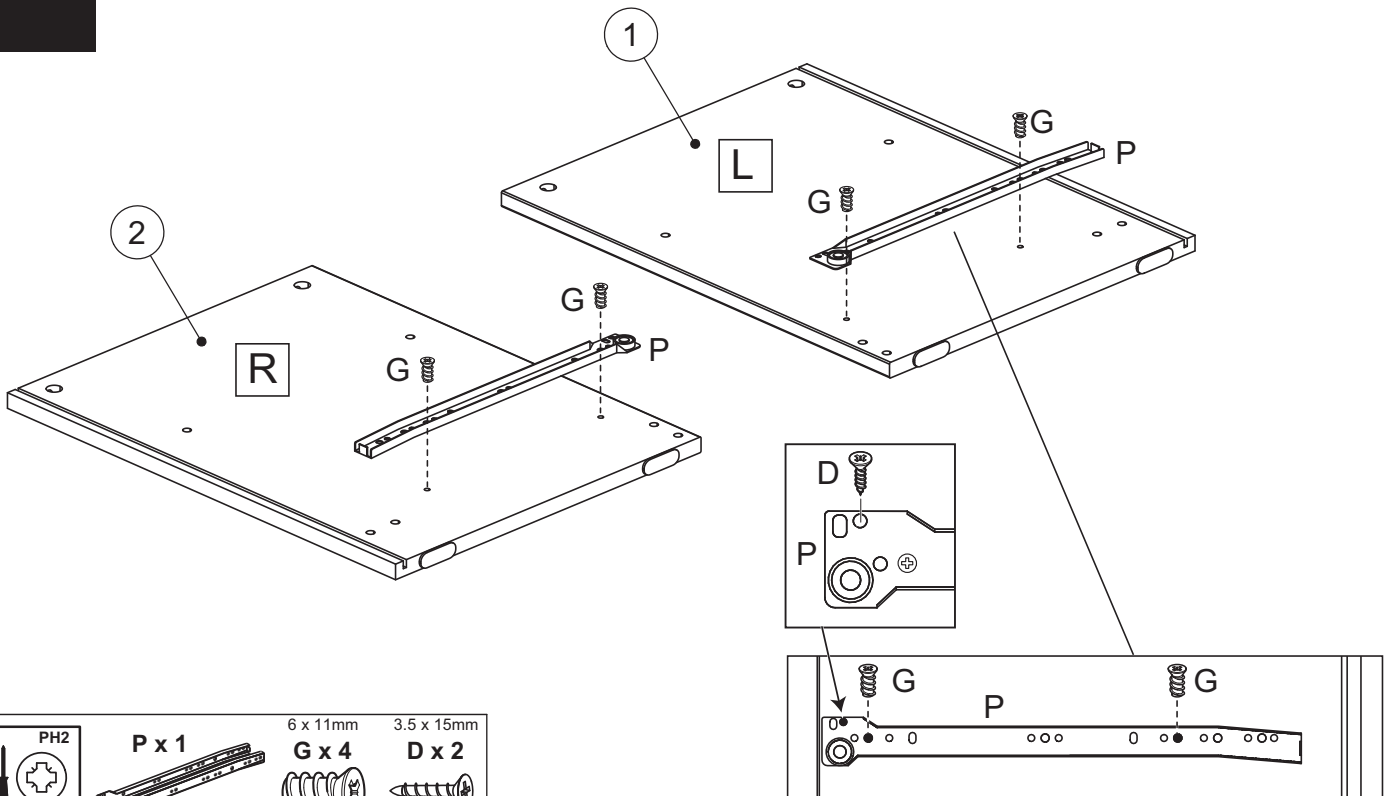
F x 4 8 x 30mm



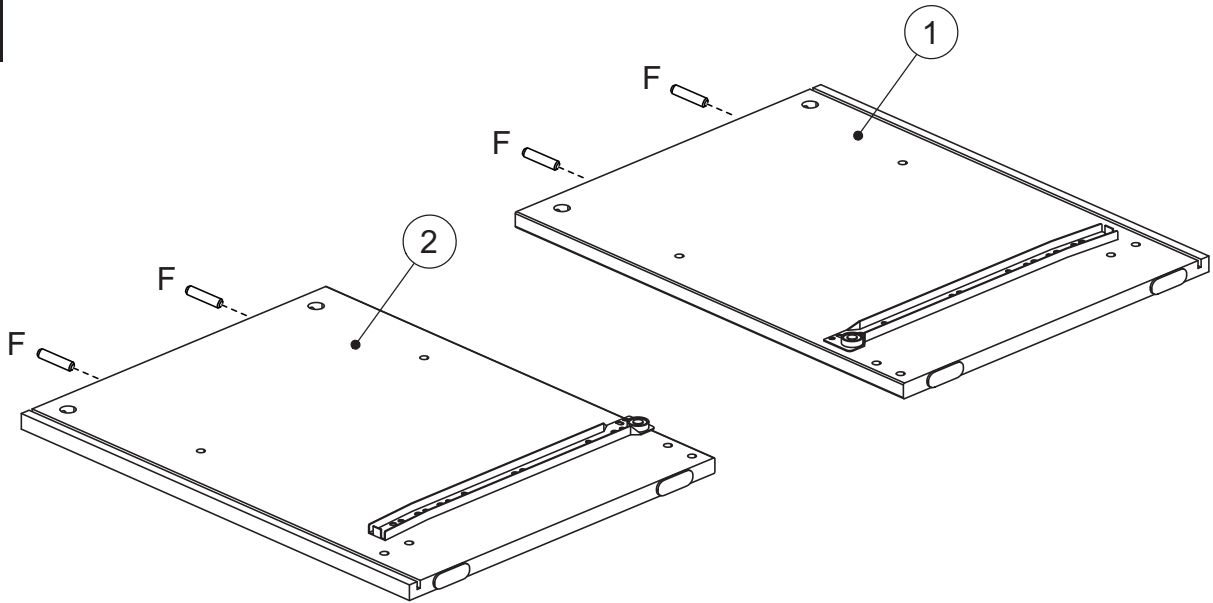
5



6



7

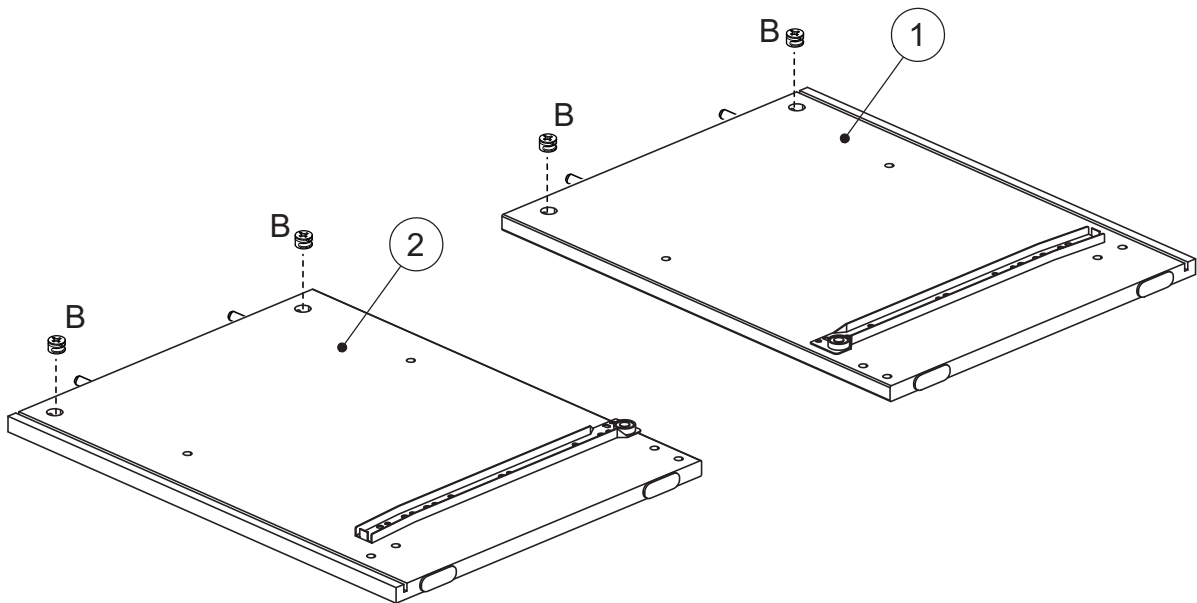


F x 4

8 x 30mm



8



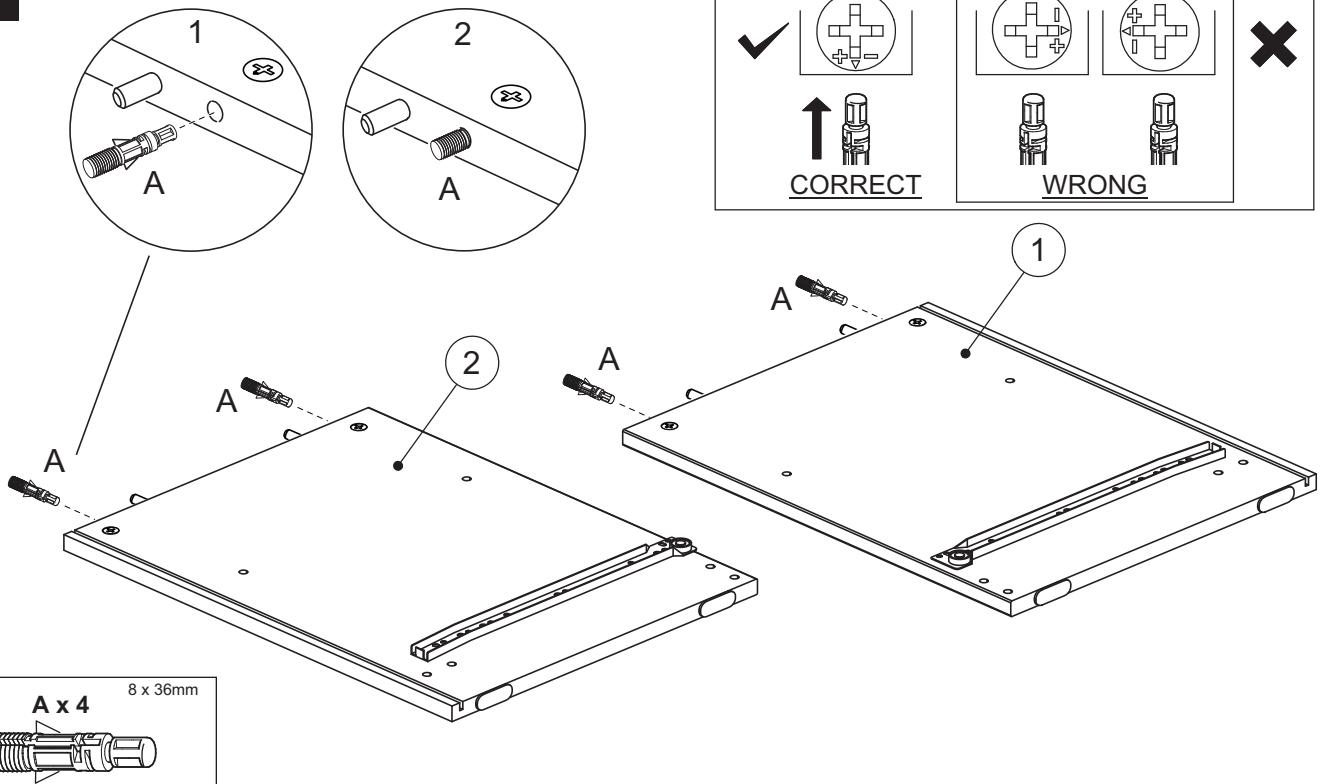
15 x 12.5mm

B x 4

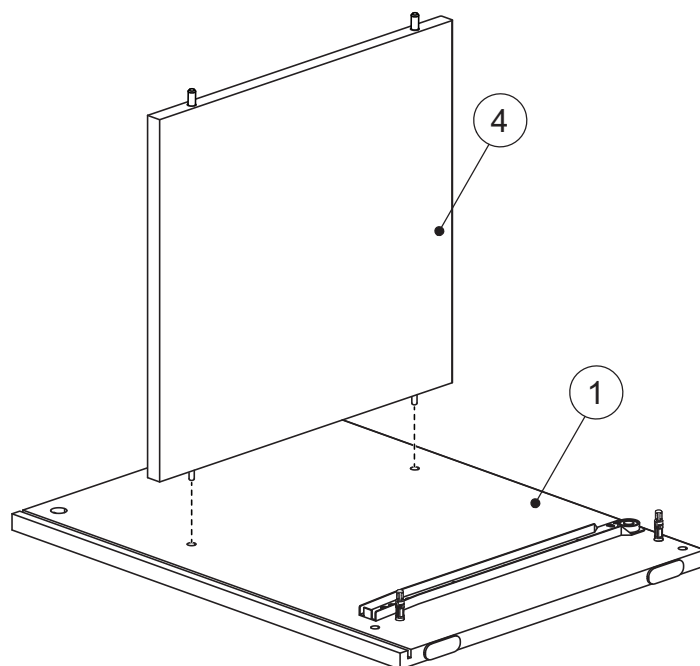




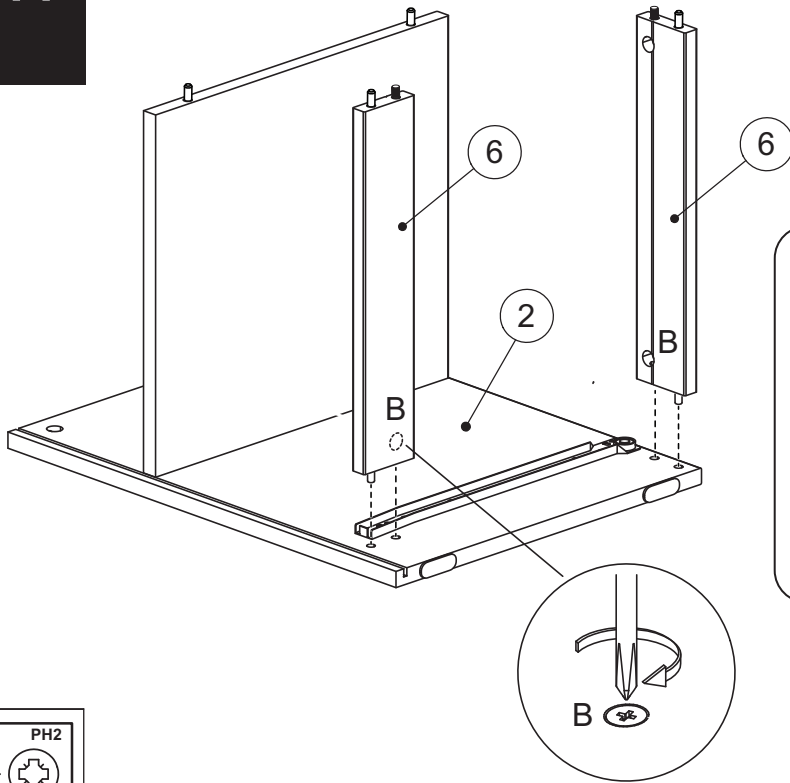
9



10



11

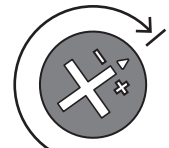


**DON'T STOP UNTIL THE 2 O'CLOCK LOCK**

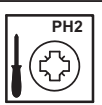
TURN THE CAM IN A CLOCKWISE DIRECTION UNTIL THE ARROW POINTS IN THE POSITIONS SHOWN IN THE DIAGRAMS BELOW



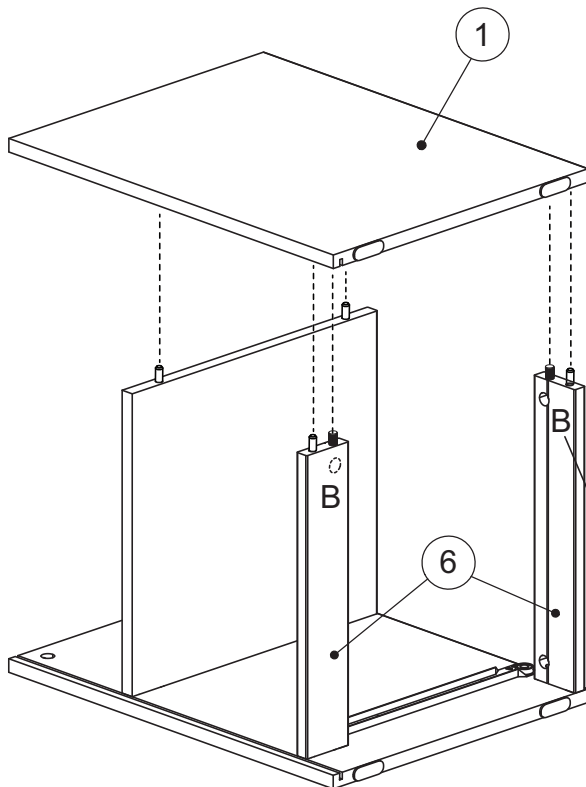
START



CORRECT LOCK



12

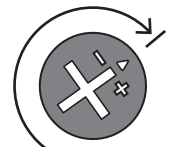


**DON'T STOP UNTIL THE 2 O'CLOCK LOCK**

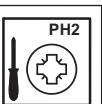
TURN THE CAM IN A CLOCKWISE DIRECTION UNTIL THE ARROW POINTS IN THE POSITIONS SHOWN IN THE DIAGRAMS BELOW



START



CORRECT LOCK



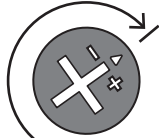
13

**DON'T STOP UNTIL THE 2 O'CLOCK LOCK**

TURN THE CAM IN A CLOCKWISE DIRECTION UNTIL THE ARROW POINTS IN THE POSITIONS SHOWN IN THE DIAGRAMS BELOW

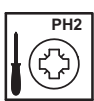
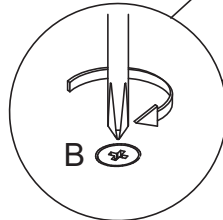
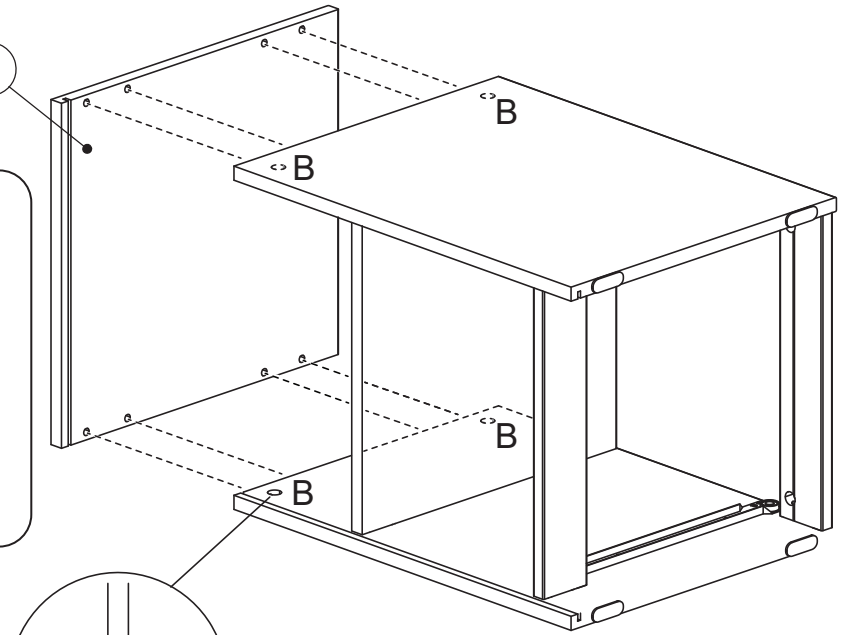


START

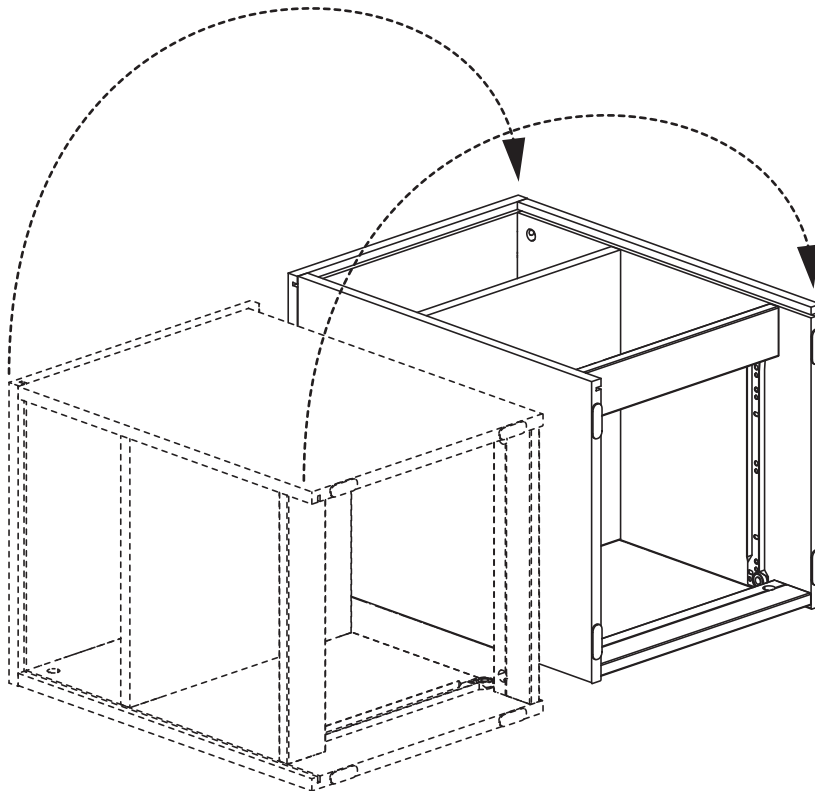


CORRECT LOCK

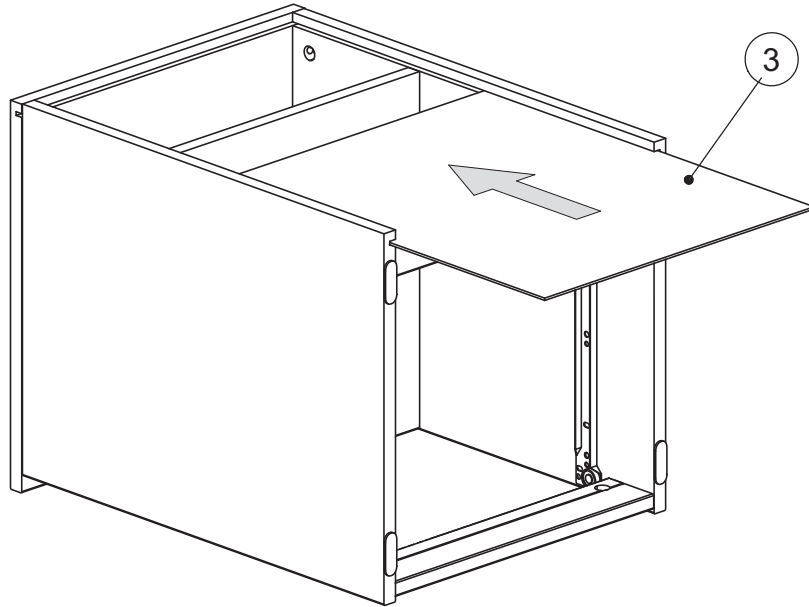
5



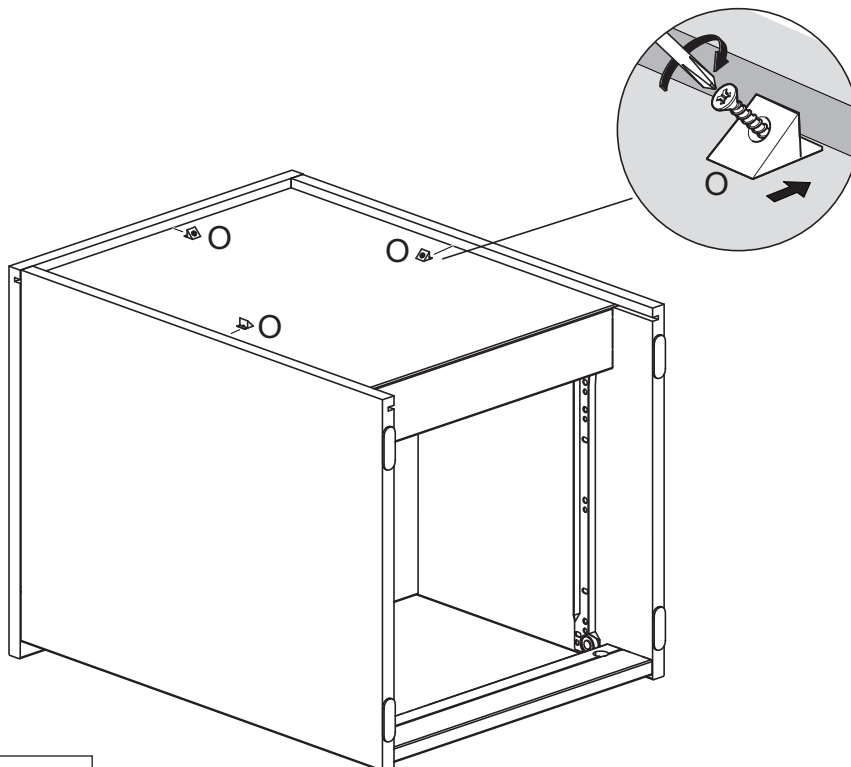
14



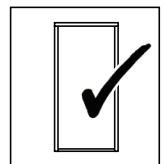
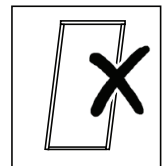
15



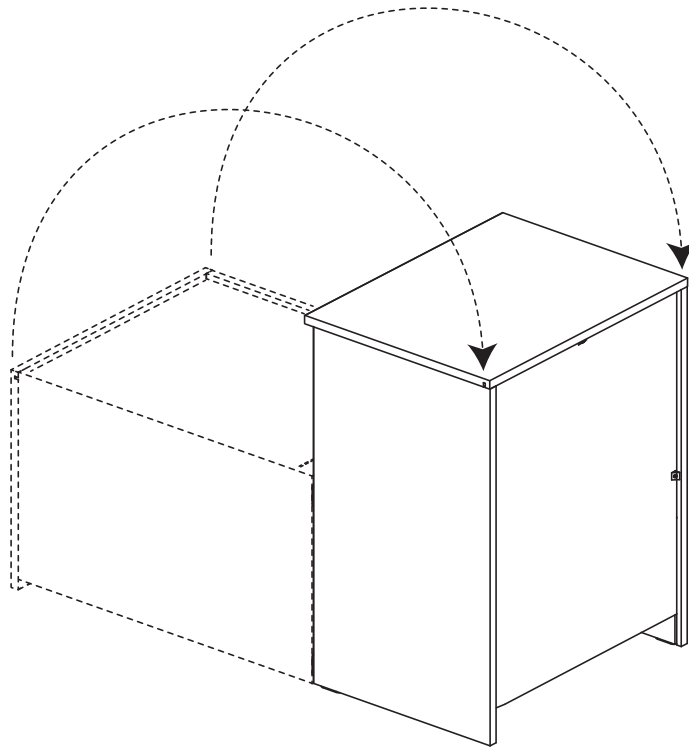
16



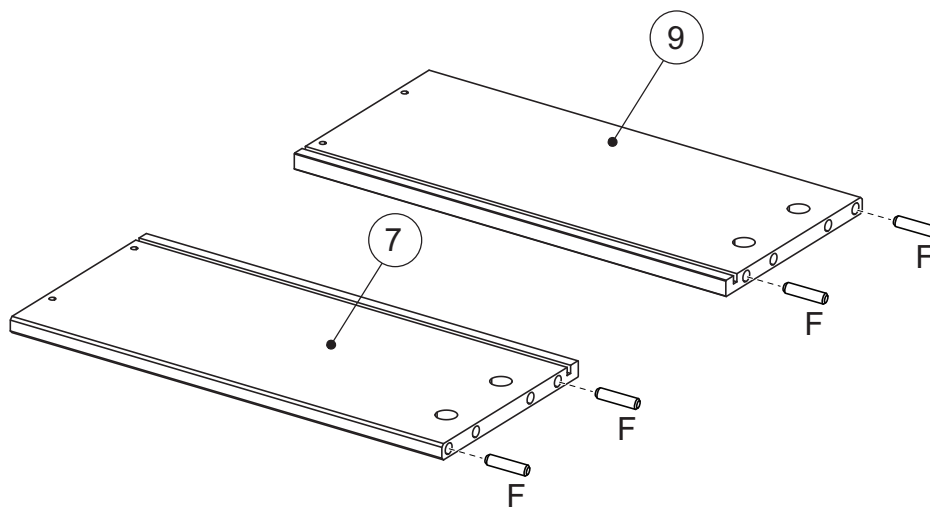
Important:  
The cabinet **MUST**  
be 'square' when the  
back is attached.



17

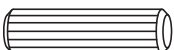


18

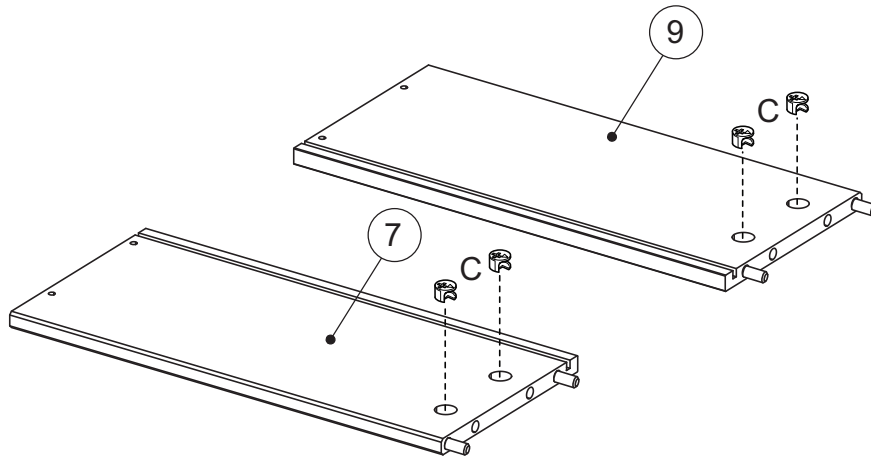


F x 4

8 x 30mm

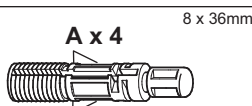
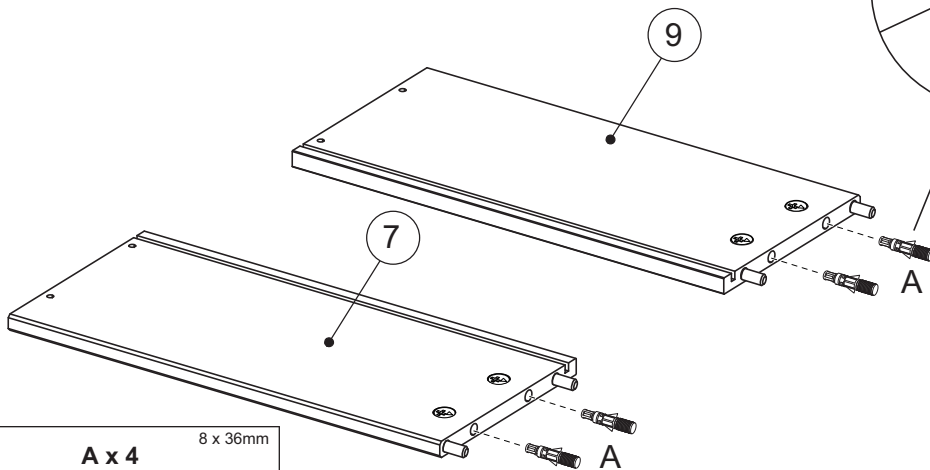
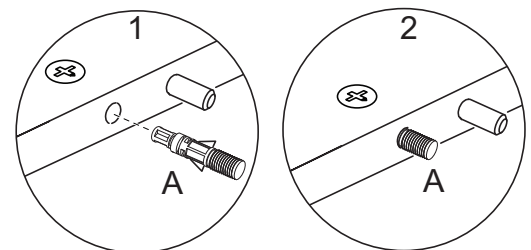
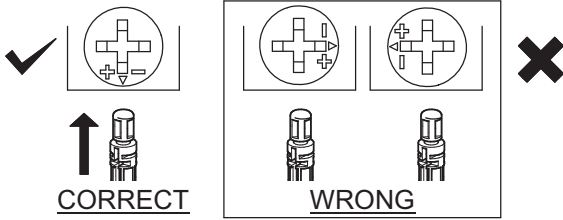


19

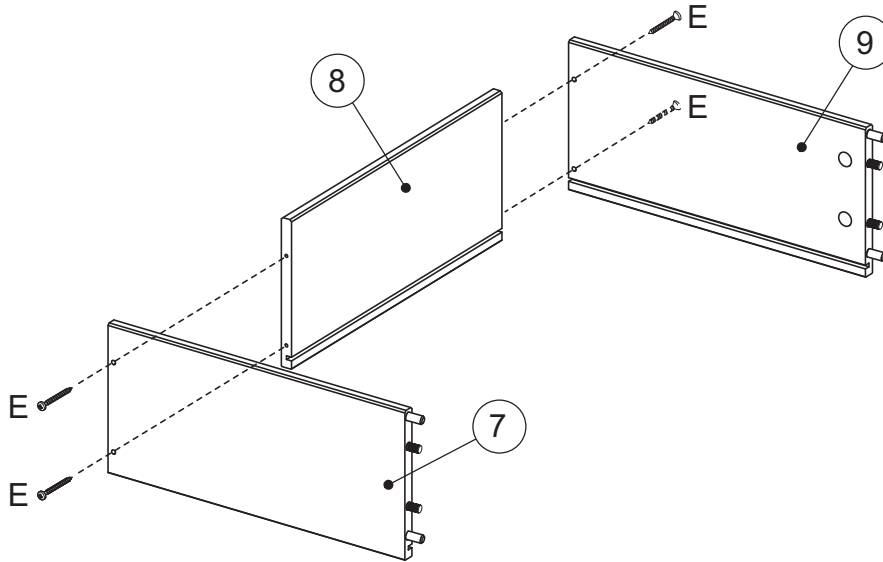


20

**WHEN FITTING CAMS**  
ENSURE STARTING POSITION IS CORRECT  
BEFORE YOU INSERT CONNECTING CAM-PILLAR



21

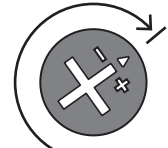


22

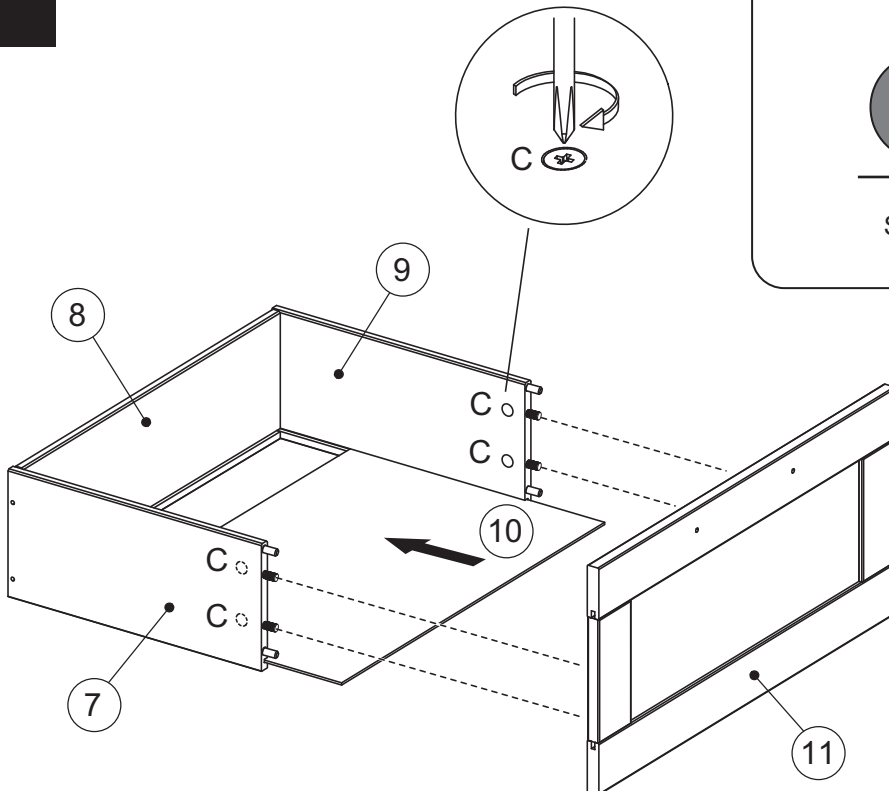
**DON'T STOP UNTIL THE 2 O'CLOCK LOCK**  
 TURN THE CAM IN A CLOCKWISE DIRECTION UNTIL THE  
 ARROW POINTS IN THE POSITIONS SHOWN IN THE  
 DIAGRAMS BELOW



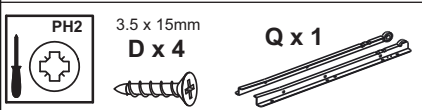
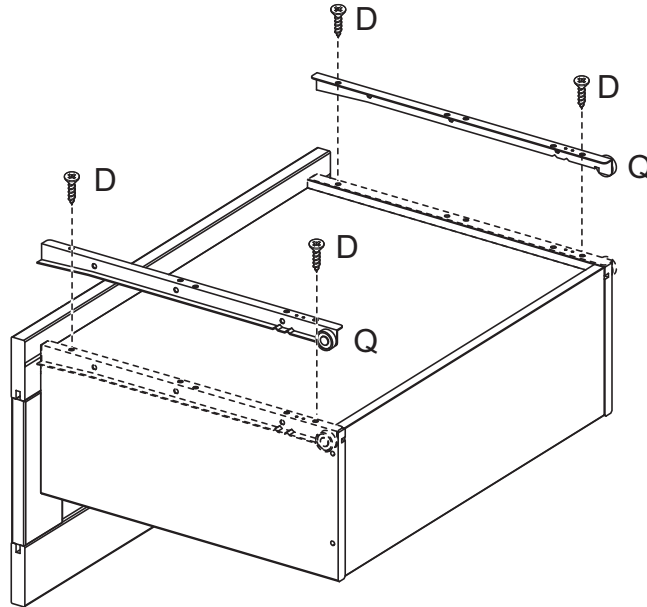
START



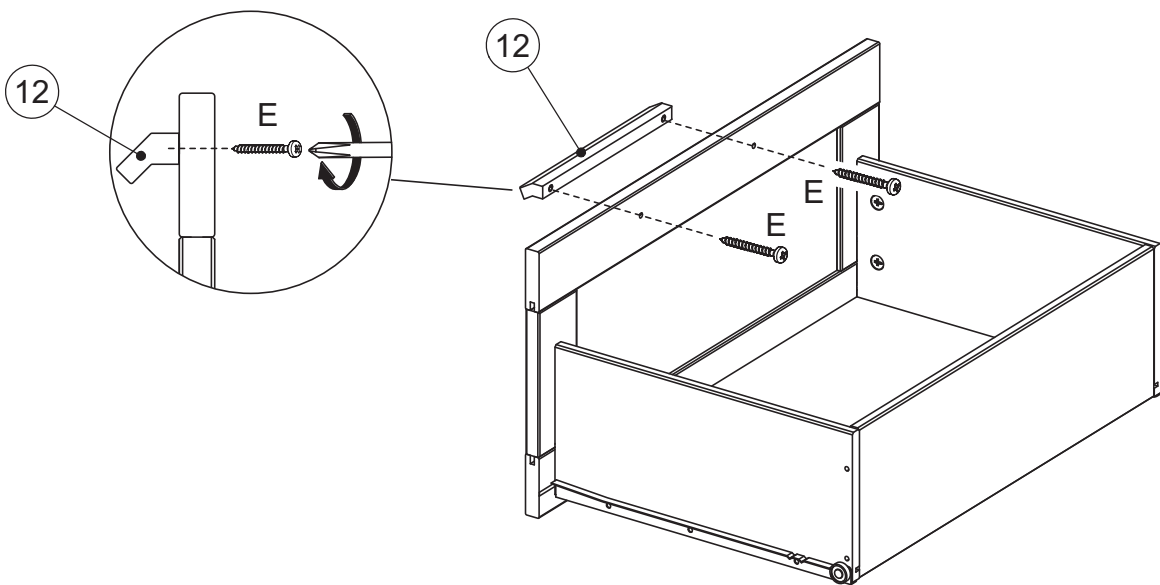
CORRECT  
 LOCK



23

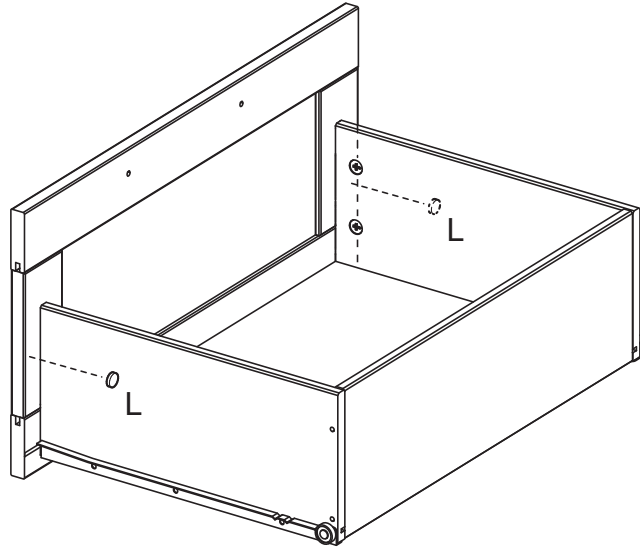


24





25

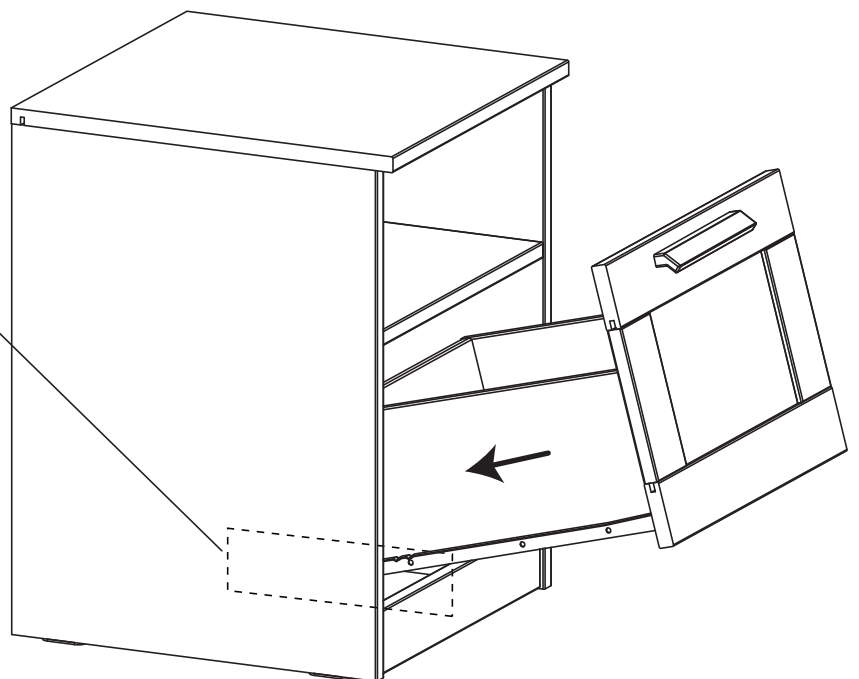
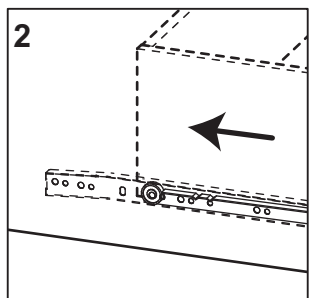
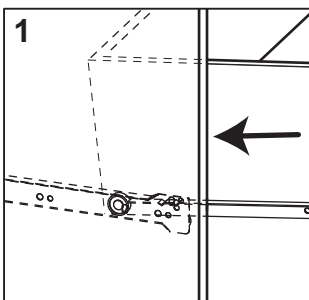


Ø10 x 1.5mm

L x 2



26



next

# FLYNN BEDSIDE CHEST

350946 / 425338

Assembly instructions

**Actual product size**

H53.5 x W39.4 x D39.2cm

