

next

WESTCOTT NO FE FLIP BED

354249/125587/350313/357124

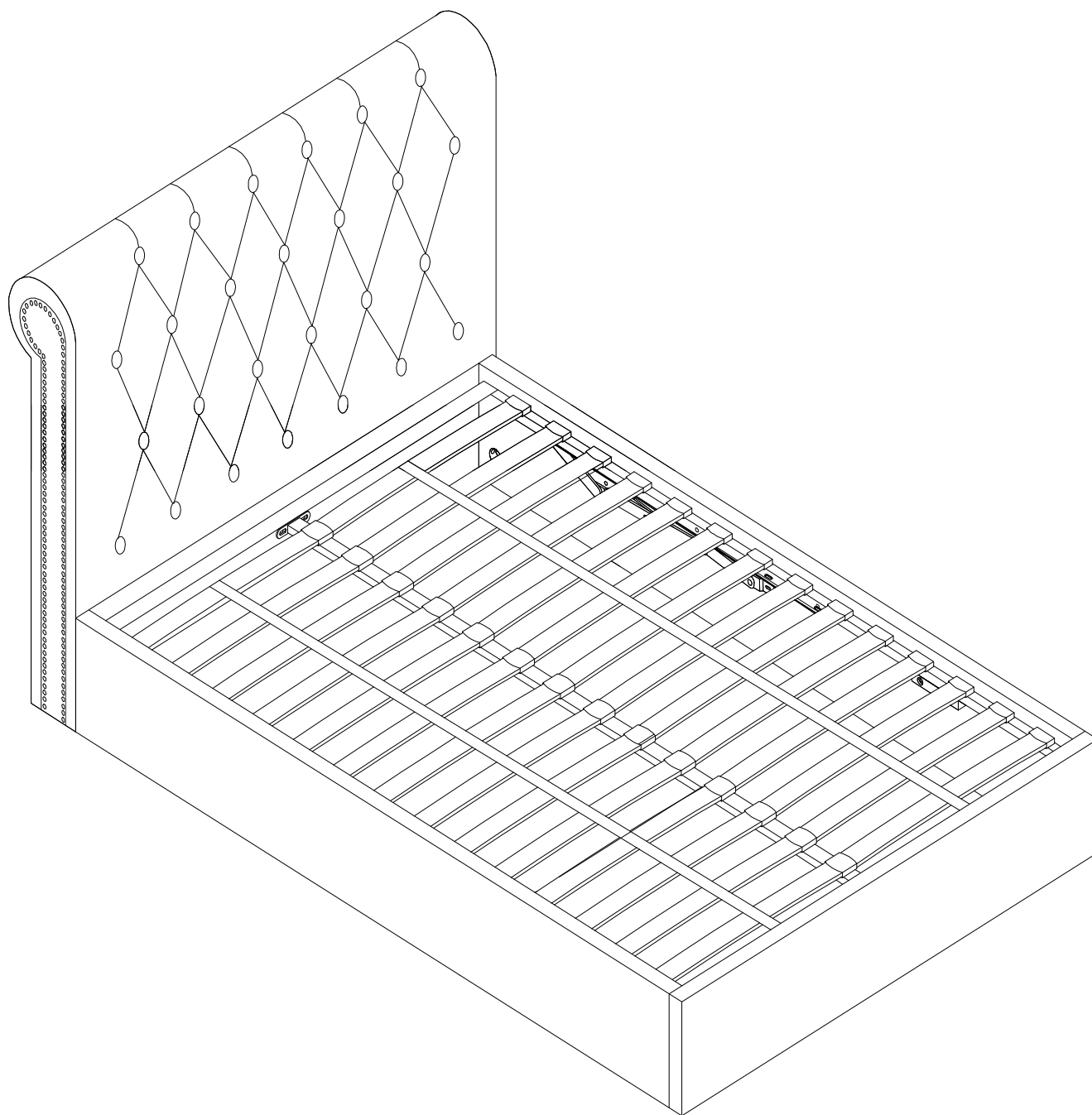
Assembly instructions

Actual product size

H111 x W150x D216cm (Double)

H111 x W165 x D226cm (King)

H111 x W195 x D226cm (Super King)



IMPORTANT - RETAIN FOR FUTURE REFERENCE

BEFORE YOU START

Warnings

Important: Retain these instructions for future reference.

Unwrap all packaging materials and place the components on top of the carton box or on a clean floor to prevent it from scratching.

This product should only be used on firm, level ground.

Keep small parts out of reach of children.

Do's

We suggest you spend a short time reading through this leaflet before you start.

When you are ready to start, make sure that you have the right tools, plenty of space and a clean, dry area for assembly.

Check the pack and make sure you have all the parts listed.

During assembly children should be kept away from the product due to possible risk of injury.

Tools not included.

Due to the size of this product we recommend that it is assembled in the room intended for use.

Ensure that this product is fully assembled as illustrated before use.

Check all screws or bolts are tightened and inspect regularly.

To clean, wipe with a sponge and warm soapy water. Do not use solvent based cleaners or detergents as they can bleach or damage the product.

Don'ts

Do not use power tools to construct this product.

Do not tighten screws until fully assembled.

Do not over tighten screws or bolts.

Do not stand on the product.

Do not use this product if parts are missing, damaged or worn.

Never use scourers, abrasives or chemical cleaners.

Never drag pieces of furniture across the floor as this will cause damage to the joints.

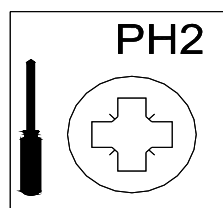
Number of people required to assemble

Two persons are required to assemble this product.

Time to assemble



Tools required



not supplied

Missing parts

If you are missing any fixtures and fittings for your product please contact our customer service team on **0333 777 8999** and they will be happy to arrange for a replacement to be sent to you free of charge.

Home service technicians

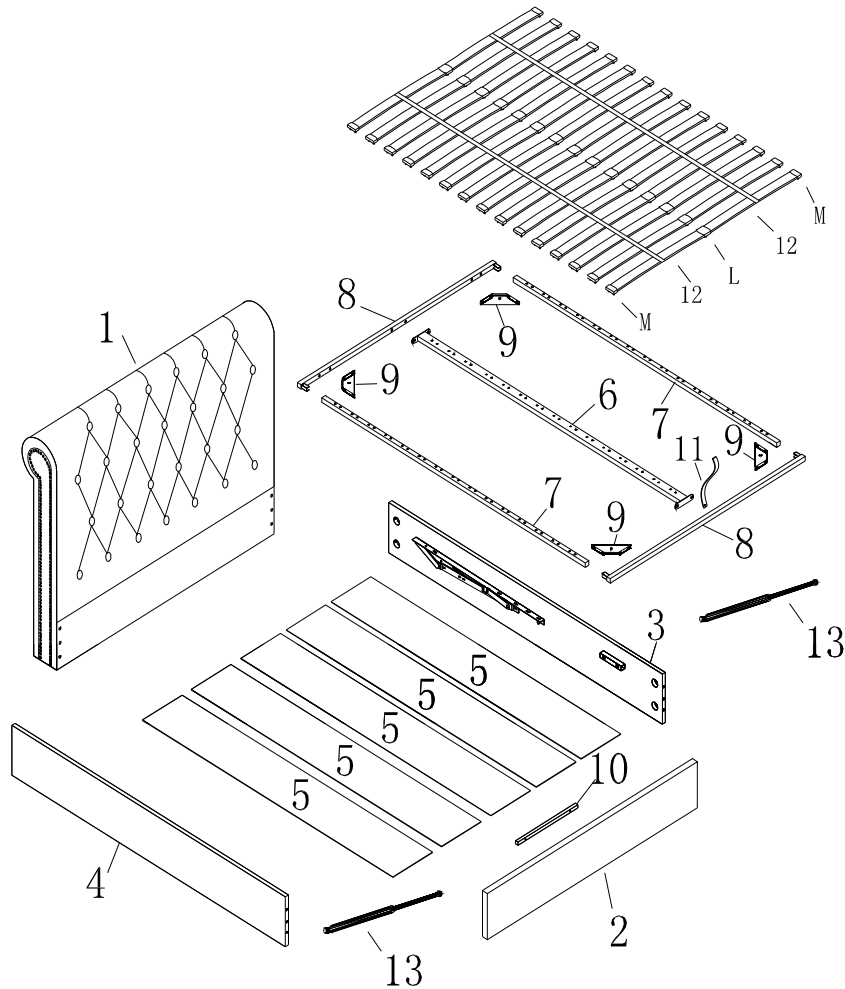
If you have a fault with your product please contact our customer service team on **0333 777 8999**. If you have had the product for 28 days or less you may be offered a replacement, refund or for a fully trained home service technician to visit your home to assess the fault and repair the product where possible. If you have had the product for more than 28 days we will send an independent home service technician to review and repair the product where possible and recommend further action.

You can write to us at

Next Retail Ltd,
Desford Road,
Leicester,
LE19 4AT,

To view our full furniture range please visit www.next.co.uk

GETTING TO KNOW YOUR PRODUCT



Ref	Dimensions	Visual	Qty	Ctn
1	Headboard		1	1
2	Footboard		1	2
3	Right side rail		1	2
4	Left side rail		1	2
5	Bottom panel		5	3
	Bottom panel		6	3
6	Centre rail		1	3
7	Metal longrail		2	3

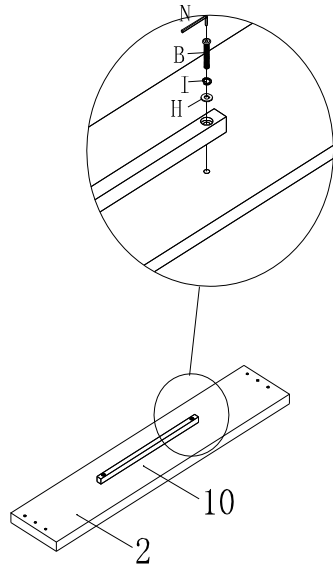
Ref	Dimensions	Visual	Qty	Ctn
8	Metal short rail		2	3
9	Triangle metal plate		4	1
10	FB support rail		1	3
11	Handle		1	1
12	Slats		30	4
13	Flip rod		2	3

CUSTOMER HELPLINE

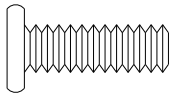
Fixtures and fittings supplied

Ref	Dimensions	Qty	
A	M8x80	8	
B	M6x35	2	
C	M6x20	20	
D	M8x40	6	
E	M6x10	4	
F	M8	8	
G	M8	14	
H	M6	22	
I	M6	22	
J	M8	12	
K	∅10*40mm	4	
L	65*30mm	15	
M	65*30mm	30	
N	M6	1	
O	M8	1	
P	M8	1	

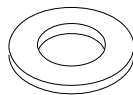
1



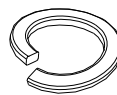
B x2 M6 x 35mm



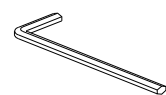
H x2 M6



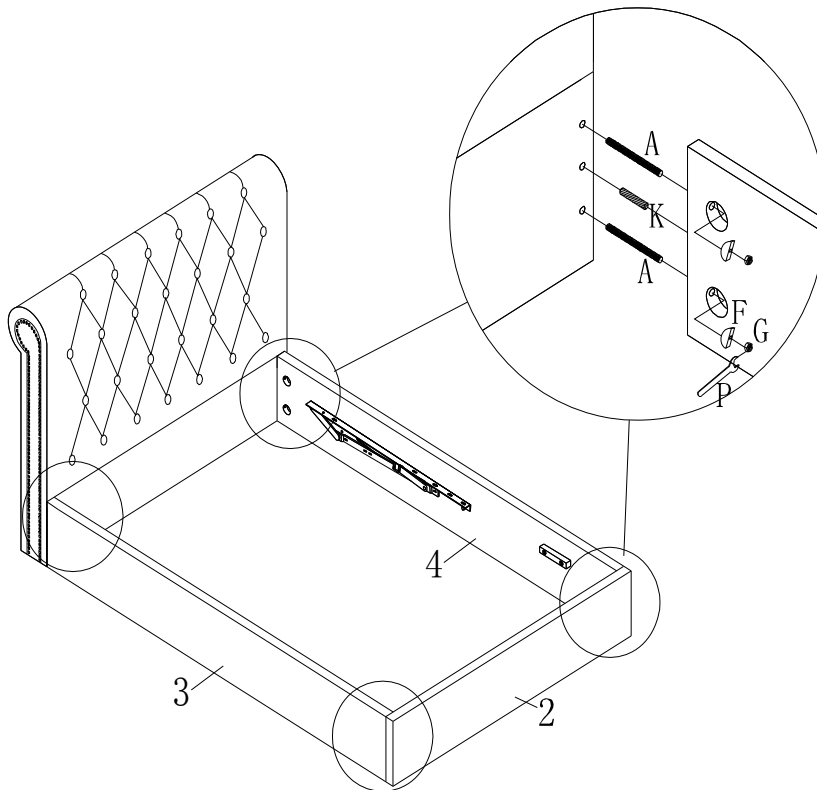
I x2 M6



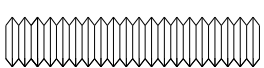
N x1 M6



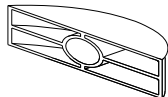
2



A x8 M8 x 80mm



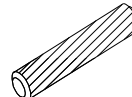
F x8 M8



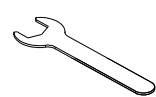
G x8 M8



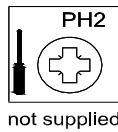
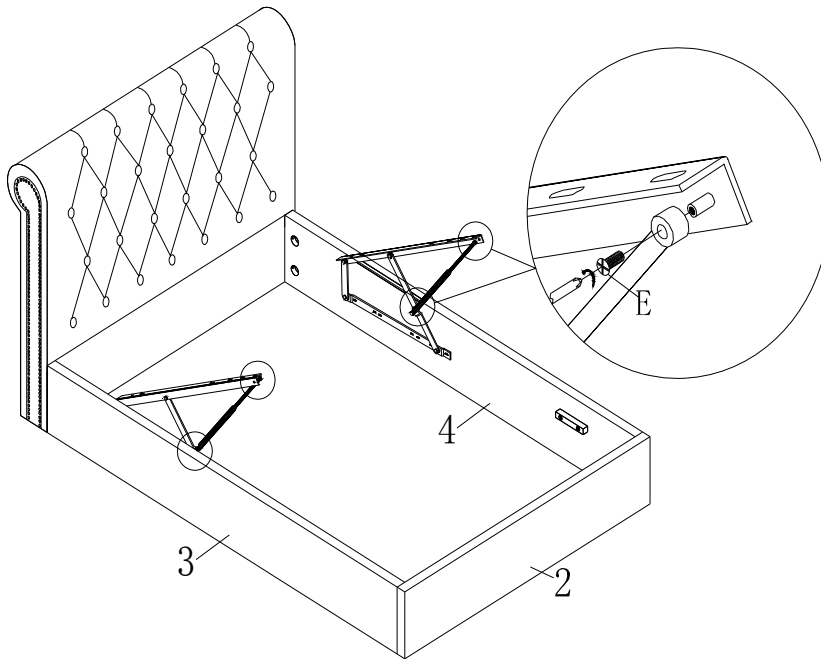
K x4 $\Phi 10^*40$ mm



P x1 M8



3

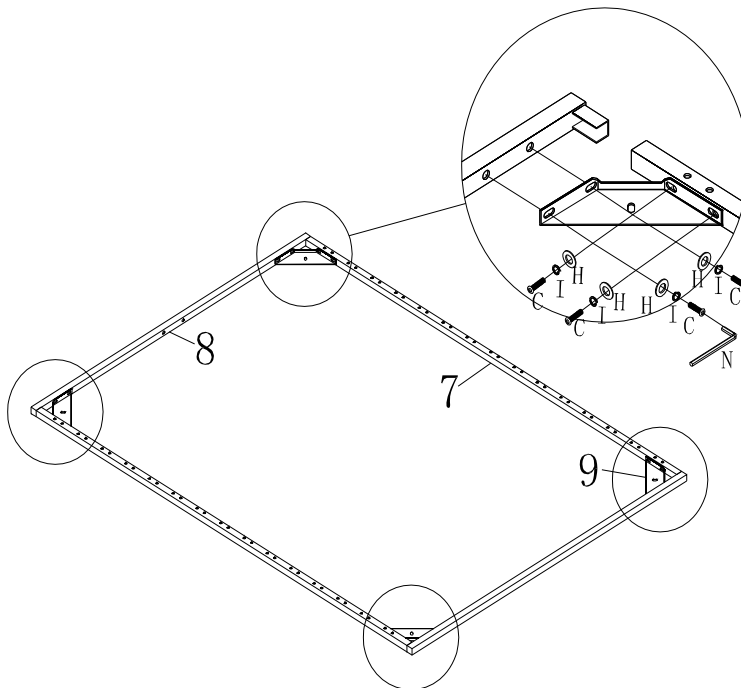


E x4

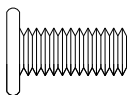
M6 x 10mm



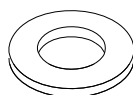
4



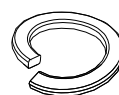
C x16 M6 x 20mm



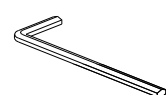
H x16 M6



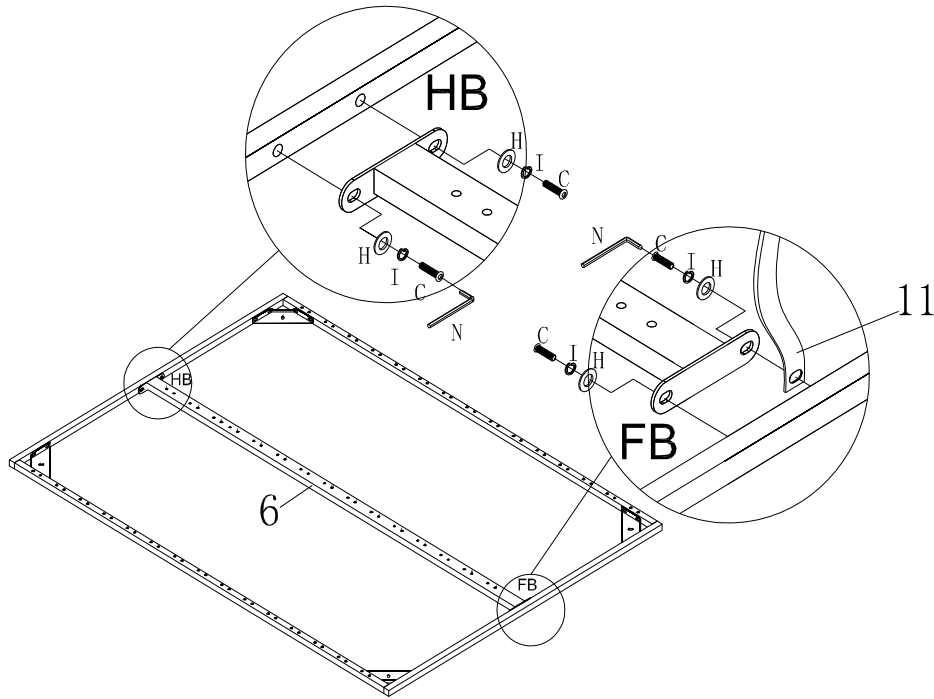
I x16 M6



N x1 M6

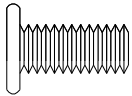


5



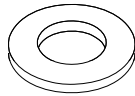
C x4

M6 x 25mm



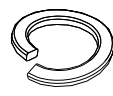
H x4

M6



I x4

M6

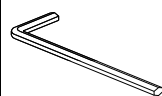


11 x1 handle

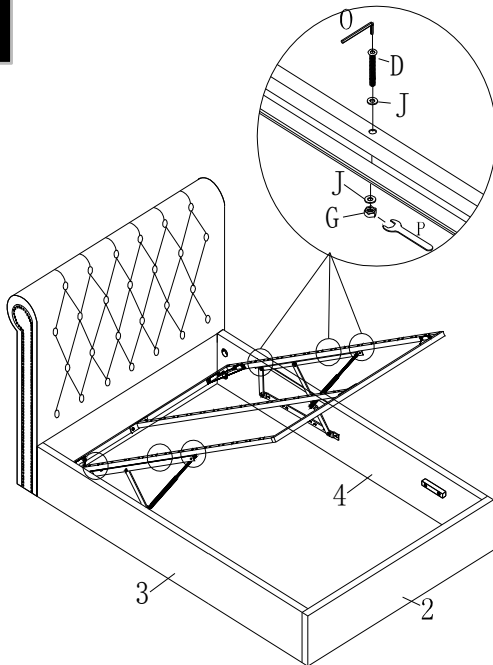


N x1

M6

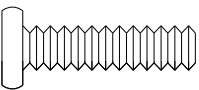


6



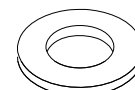
D x6

M8 x 40mm



J x12

M6



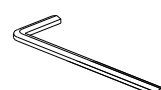
G x6

M6



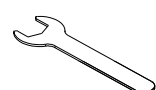
O x1

M8

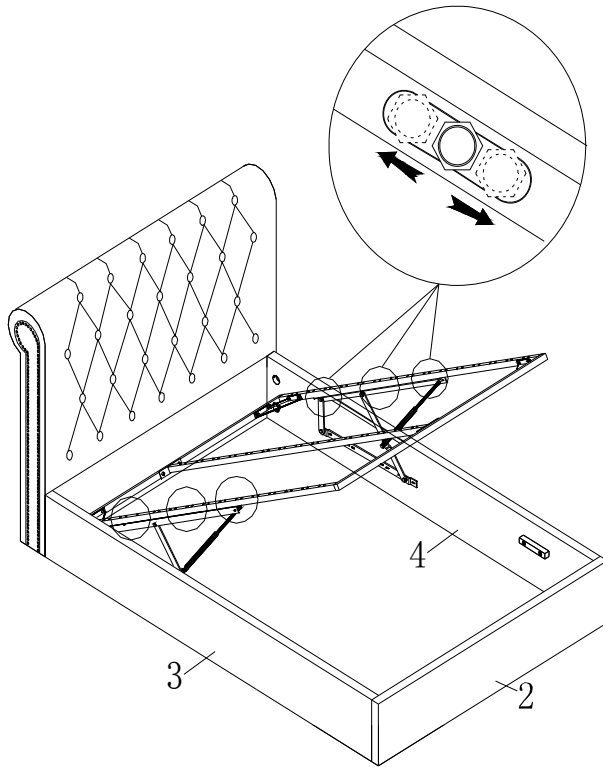


P x1

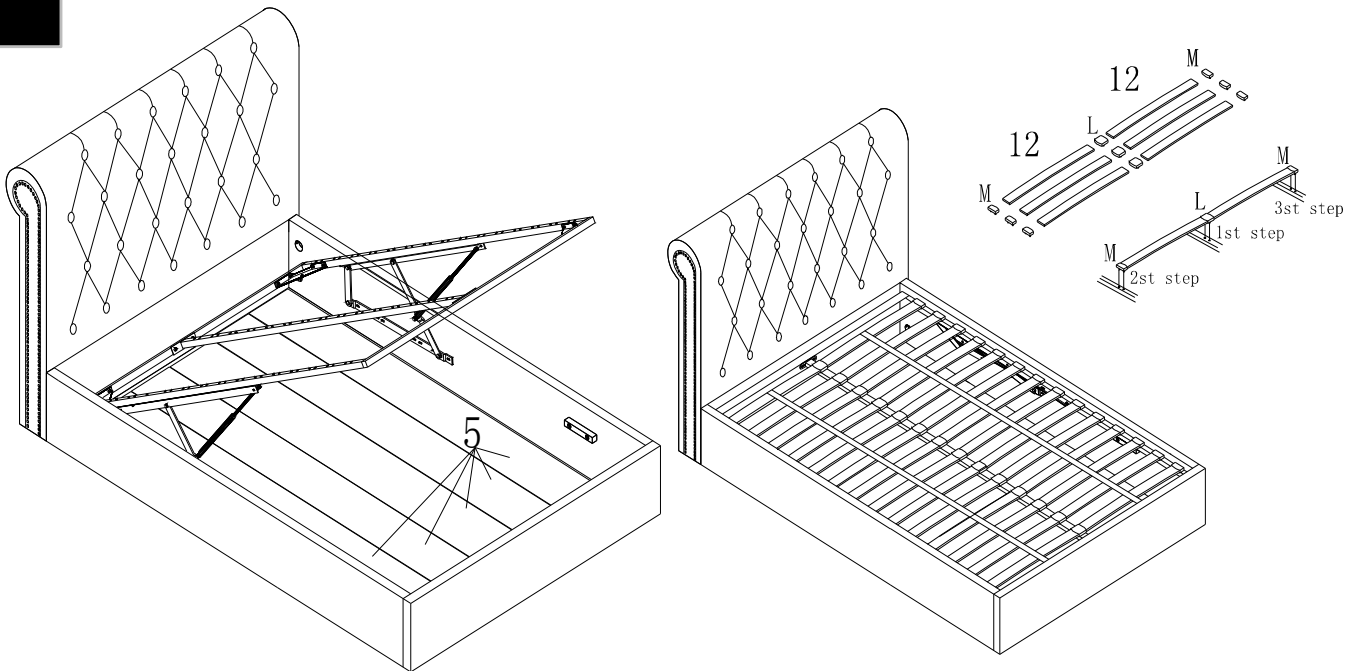
M8



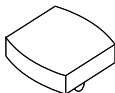
7



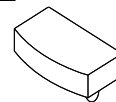
8



L x16 55 x 30mm



Mx32 65 x 30mm



next

WESTCOTT NO FE FLIP BED

354249/125587/350313/357124

Assembly instructions

Actual product size

H111 x W150x D216cm (Double)

H111 x W165 x D226cm (King)

H111 x W195 x D226cm (Super King)

Mattress size

W135 x L190cm (Double)

W150 x L200cm (King)

W180 x L200cm (Super King)

